

Part No.	Reference No.	Quantity	Description
158#M951UP2~S	*		ACCESSORIES
75000513#M951UP2~S	*		BLOWER ASSEMBLY
75000955#M951UP2~S	*		BURNER ASSEMBLY
75004467#M951UP2~S	*		GENERAL ASSEMBLY
75000987#M951UP2~S	*		INDUCED BLOWER AND FLUE ASSEMBLY
M951UP2_M951UP2_181267~P	*		M951UP2 PARTS LIST
75009819#M951UP2~S	*		MODEL NUMBER NOMENCLATURE

NO GRAPHIC AVAILABLE

75013702

REV
A

**NO
GRAPHIC
AVAILABLE**



Parts List Number :M951UP2#M951UP2

Model Number :M951P040BU24AAA

Part No.	Reference No.	Quantity	Description
75004467_M951UP2_248083~P	*		GENERAL ASSEMBLY PARTS LIST

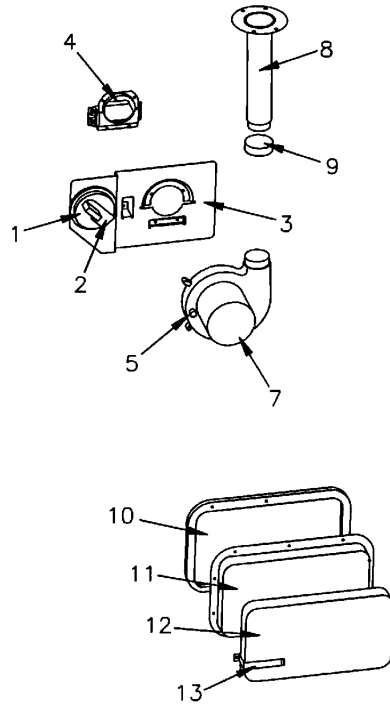


Part No.	Reference No.	Quantity	Description
BUS01429	*	1	BUSHING; SNAP, .83 O.D. X .63 I.D. X .25, BLACK, NYLON, .75 MOUNTING HOLE DIA.
CLP00195	*	2	CLIP; SPRING
CPL00938	*	1	COUPLING; REDUCING COUPLING ASSEMBLY - INCLUDES C341097P01 (CPL00838) AND A341677P01 (POLYPROPYLENE PAD). 2.00 TO 3.0 WHITE PVC COUPLING ADAPTER.
FLR03829	*	1	FILTER; REPLACEMENT FILTER RACK ASSEMBLY
GRM00217	*	1	GROMMET; BURNER BOX ENTRY SEAL
SHD00241	*	1	SHIELD; RADIATION
TUB08058	*	1	TUBE-FEMALE TRANSFER
WIR04583	*	1	WIRE; HARNESS ASSEMBLY, INCLUDING INDUCER/IGNITOR HARNESS W/4PIN MALE CONNECTOR AND CONTROL HARNESS W/12 PIN MALE CONNECTOR.
EXC02141	2	1	EXCHANGER; HEAT EXCHANGER WITH RCT00851
DOR04092	3	1	DOOR; BLOWER ASM UF
COV04444	5	1	COVER; TOP ASM
SPG00309	7	1	SPRING; DOOR RETAINER, INCLUDED IN COVER ASSEMBLY
CNL01929	9	1	CHANNEL; BOTTOM
PNN03250	10	1	PANEL; BOTTOM
DOR04095	13	1	DOOR; BURNER, UPFLOW
PLT04871	15	1	PLATE; NAME ASM
BAF00856	16	2	BAFFLE;
IRT00020	18	2	INSERT; BURNER
BOX01499	19	1	BOX; JUNCTION BOX
COV03320	20	1	COVER; JUNCTION BOX COVER
BUS00300	21	1	BUSHING; STRAIN RELIEF
MNT02206	22	1	MOUNT; IFC CONTROL PLATFORM
CNT05164	23	1	CONTROL; INTEGRATED FURNACE, 1 STAGE, SINI
TRR01816	24	1	TRANSFORMER;
GRM00902	25	1	GROMMET; ENTRY SEAL 1.40 X 1.75 & .30 DIAMETER
BRK01989	26	1	BRACKET; DOOR SWITCH
SWT01714	27	1	SWITCH; DOOR SPST, 21 AMP, 125/250VAC
SWT01652	28	1	SWITCH; THERMAL LIMIT, OPEN AT 230F, CLOSE AT 200F, 5.8 FLA @ 120V
GKT03506	29	1	GASKET; LIMIT SWITCH
TRP00007	30	1	TRAP; CANNISTER
TUB11751	31	1	TUBE; CONDENSATE TUBE ASSEMBLY, COLD HEADER TO CANISTER TRAP. INCLUDES HOSE AND CLAMP.
TUB11758	32	1	TUBE; CONDENSATE TUBE ASSEMBLY, TRAP TO FURNACE CABINET (FIELD CONNECTION). INCLUDES HOSE, CLAMP, BARBED ADAPTER AND COUPLING
TUB11750	35	1	TUBE; CONDENSATE TUBE ASSEMBLY, INDUCER TO CANISTER TRAP. INCLUDES HOSE AND CLAMP.
COL09285	37	1	COIL; RECOUP ASSEMBLY
SUP02791	38	1	SUPPORT; HEAT EXCHANGER
BAF00856	39	1	BAFFLE;

Induced Blower & Flue Assembly

75000987

REV
A

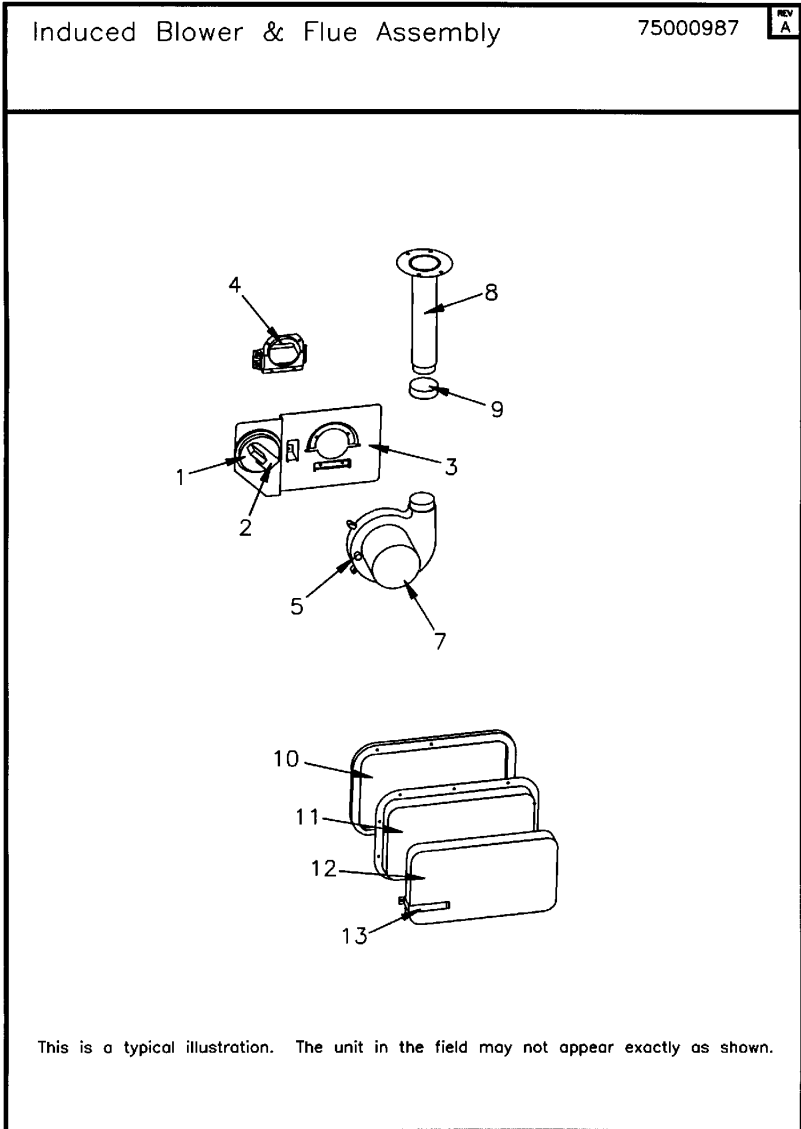


This is a typical illustration. The unit in the field may not appear exactly as shown.

Parts List Number :M951UP2#M951UP2

Model Number :M951P040BU24AAA

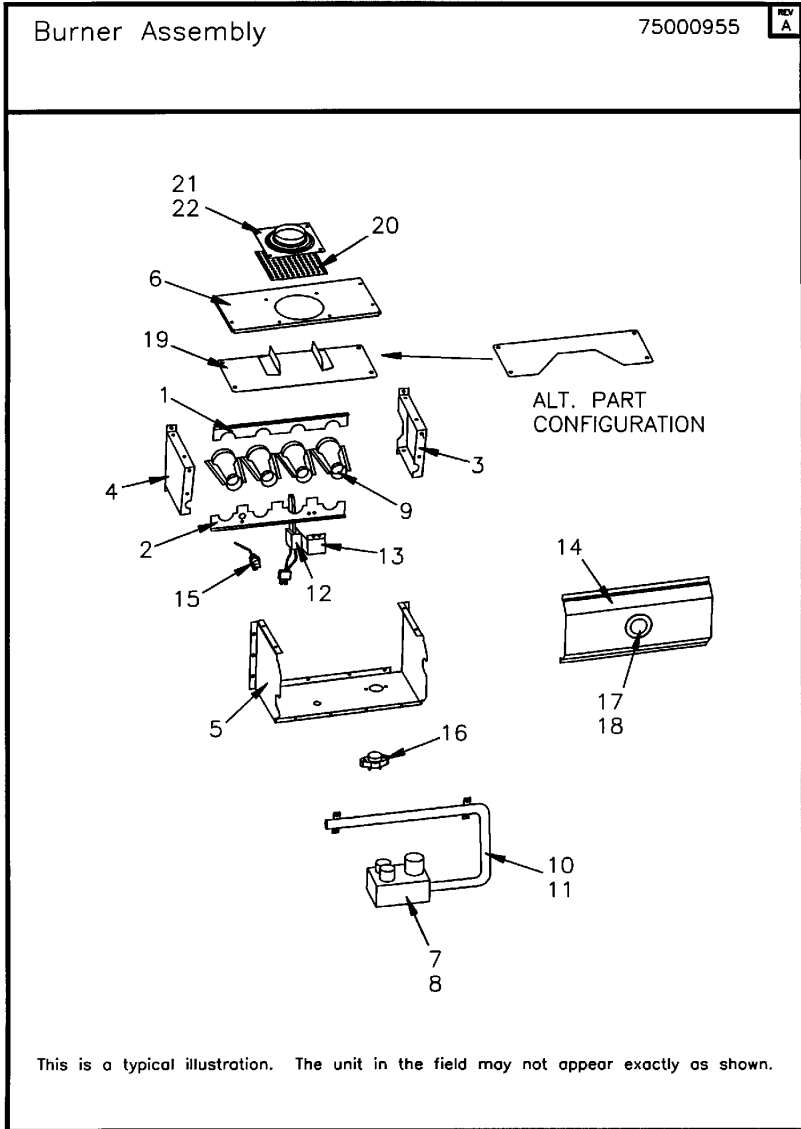
Part No.	Reference No.	Quantity	Description
75000987_M951UP2_248081~P	*		INDUCED BLOWER AND FLUE ASSEMBLY PARTS LIST



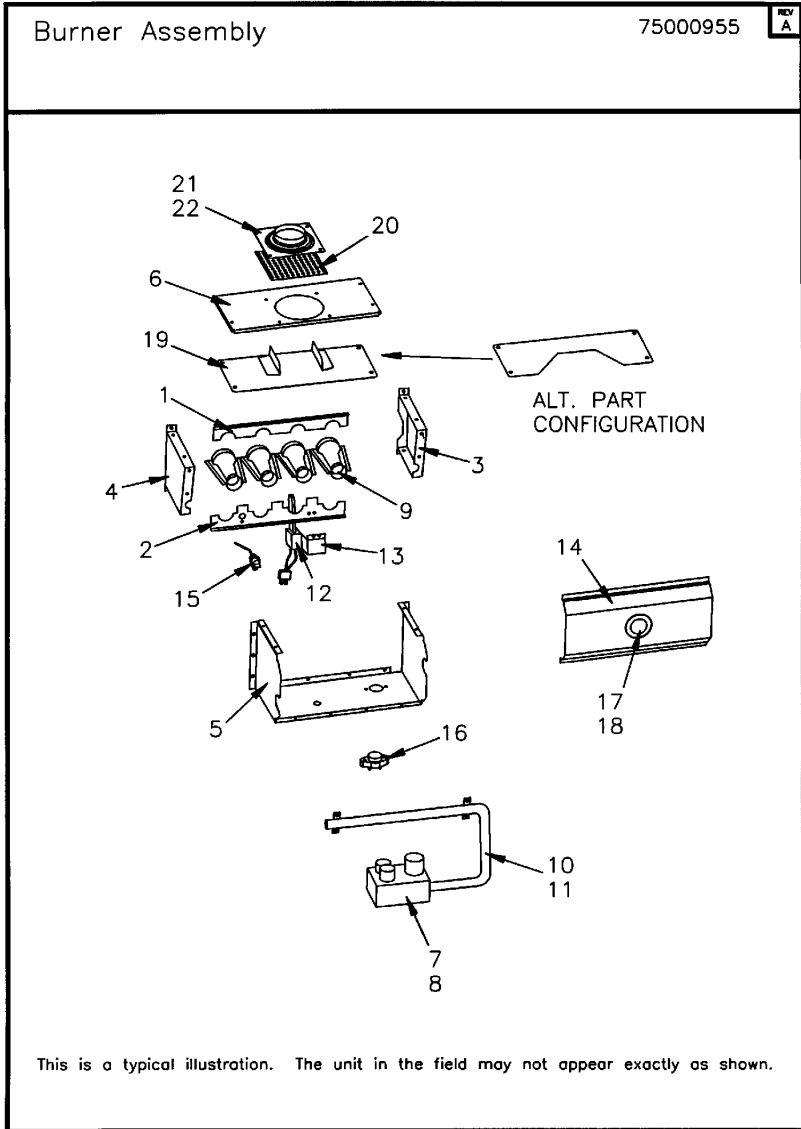
Parts List Number :M951UP2#M951UP2

Model Number :M951P040BU24AAA

Part No.	Reference No.	Quantity	Description
SWT02685	*	1	SWITCH; LIMIT INDUCER, OPEN 155 DEG, CLOSE 95 DEG F
TUB12136	*	1	TUBE; DIRECT VENT HOSE ASSEMBLY. DIRECT VENT BOX TO GAS VALVE. ASSEMBLY INCLUDES: BLACK RUBBER TUBING AND BARBED TYPE ADAPTER, TEE00195.
SWT03220	1	1	SWITCH; PRESSURE, 28 VA PILOT DUTY 24 VAC, 125 VA PILOT DUTY 120 VAC. , 1/10 HP, 3 FLA, 18 LRA 24 VAC. OPEN AT -1.25 WC, CLOSE AT -1.44 WC
MNT02266	3	1	MOUNT; INDUCER MOTOR MOUNTING PLATE, GALVANIZED STEEL
RCT00851	4	1	RECEPTACLE; TRANSITION INCLUDING FOUR MOUNTING SCREWS
CAP00453	5	1	CAP; VINYL
BLW01137	7	1	BLOWER; INDUCER DRAFT, 1-STAGE, BALL BEARING
PIP00364	8	1	PIPE; FLUE, MOLDED
CMP00381	9	1	CLAMP; FLUE STACK PIPE TO INDUCED BLOWER
GKT02604	10	1	GASKET;COLLECTOR BOX
BOX00579	11	1	BOX; FLUE COLLECTOR
INS01972	12	1	INSULATION; COLLECTOR BOX



Part No.	Reference No.	Quantity	Description
75000955_M951UP2_248078~P	*		BURNER ASSEMBLY PARTS LIST

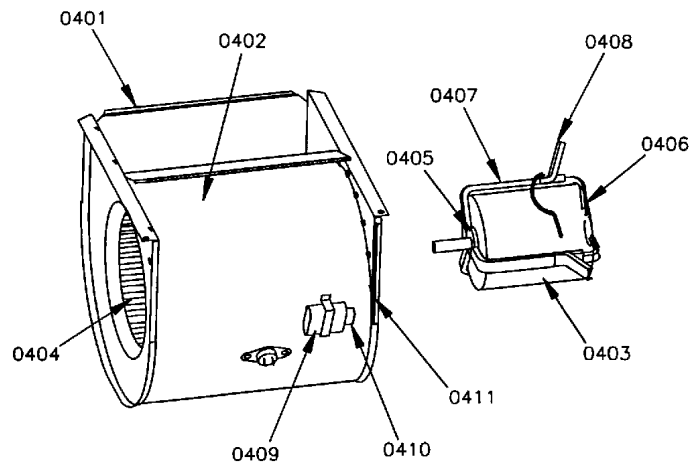


Part No.	Reference No.	Quantity	Description
GKT03085	*	1	GASKET; VENT BOX
BRK01959	1	1	BRACKET; TOP
BRK01526	2	1	BRACKET; BURNER
SUP02127	3	1	SUPPORT; BURNER-RIGHT HAND
SUP02126	4	1	SUPPORT; BURNER-LEFT HAND
BOX01403	5	1	BOX; DIRECT VENT
COV02560	6	1	COVER; TOP, DIRECT VENT
VAL09028	7	1	VALVE; GAS, FAST OPENING 1/2-14 NPT, 24V, 50/60 HZ, "J" SERIES
PIP00343	8	1	PIPE; COMPOUND
BNR01074	9	2	BURNER; ALUMINUM STL, .50 INSERT DIA, TOG-L-LOC
ORF01427	10	2	ORIFICE; SPUD, DRILL #45, BRASS
MFD00734	11	1	MANIFOLD, GAS
IGN00145	12	1	IGNITER; SILICON-NITRIDE, 80V, INCLUDES BRACKET, SCREWS AND INSTALL GUIDE
BRK03336	13	1	BRACKET; SiNi IGNITOR BRACKET
COV03010	14	1	COVER; FRONT, D.V.
SEN01114	15	1	SENSOR; FLAME, NIKROTHAL 80 MATERIAL
SWT02124	16	1	SWITCH; SWITCH-FLAME ROLLOUT, 82 DEGREES C, 180 DEGREES F, NON-TRIP FREE, 5.8 FLA, 34.8 LRA AT 120 VAC, 24 VAC, MANUAL RESET, FIXED TEMPERATURE THERMOSTAT AND NON-ADJUSTABLE.
GLS00820	18	1	GLASS; SIGHT
PLT02218	19	1	PLATE; DEFLECTOR
GKT03082	21	1	GASKET; INLET, 4.0 X 4.0 NONWOVEN FIBERGLASS
ADP01052	22	1	ADAPTER; FLUE CONNECTOR WITH PERFORATED AIR DIFFUSER, 2 INCH DIAMETER, PLASTIC

Blower Assembly

75000513

REV
A



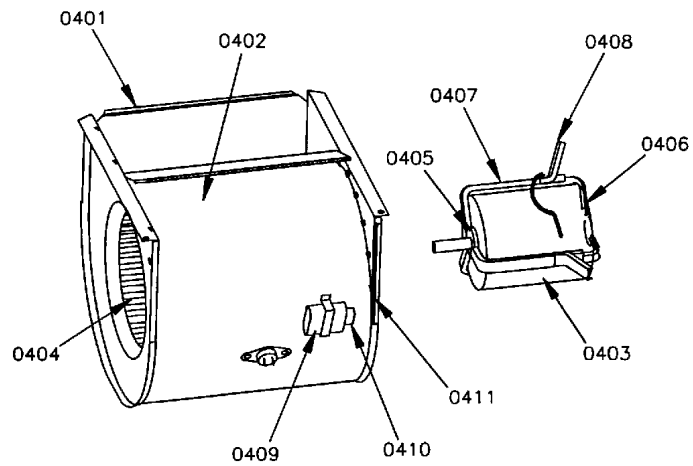
This is a typical illustration. The unit in the field may not appear exactly as shown.

Part No.	Reference No.	Quantity	Description
75000513_M951UP2_358624~P	*		BLOWER ASSEMBLY PARTS LIST

Blower Assembly

75000513

REV
A



This is a typical illustration. The unit in the field may not appear exactly as shown.

Part No.	Reference No.	Quantity	Description
BLW01125	0401	1	BLOWER;COMPLETE ASSEMBLY
HUS04037	0402	1	HOUSING; ASM, FAN
MOT07614	0403	1	MOTOR; 1/5 HP, 115/60/1, 1080RPM,48FRM,TYPE PSC, SLEEVE BEARING, 7.5 MFD AT 370V, CCW, W/RESILIENT RING
WHL00491	0404	1	WHEEL; BLOWER, 9IN. X 7IN. X .50IN. BORE, CW ROTATION
RNG00957	0405	2	RING; RESILIENT, 2.5 OD
BRK00690	0406	1	BRACKET; ASSEMBLY, SHORT, 4.06 X 2.31, INCLUDES RING CUP
BRK00691	0407	1	BRACKET; ASSEMBLY, LONG, 5.00 X 2.39, INCLUDES RING CUP
SUP03399	0408	3	SUPPORT; HANGER
CPT00477	0409	1	CAPACITOR; RUN, 7.5 MFD, 370VAC, OVAL, W/O RESISTOR
SRP00841	0410	1	STRAP;

MODEL NOMENCLATURE
Montana Furnaces

75009819

REV
A

Model Number Example
M 9 5 1 P 0 4 0 B D 2 4 A A A
1 2 3 4 5 6 7 8 9 10 11 12 13 14 15

Digit 1 = Brand
M = Montana

Digit 2,3 = Model Family
80 = Non Condensing
90 or 95 = Condensing

Digit 4 = Gas Valve Stages
1 = Single Stage
2 = Two Stage
3 = Three Stage
M = Modulating

Digit 5 = Blower Type
P = PSC
X - X13
V - Variable Speed

Digit 6,7,8 = BTU Input Capacity
040 = 40,000 Btu/h
060 = 60,000 Btu/h
065 = 65,000 Btu/h
080 = 80,000 Btu/h
100 = 100,000 Btu/h
110 = 110,000 Btu/h
120 = 120,000 Btu/h
140 = 140,000 Btu/h

Digit 9 = Cabinet Width
A = 14.5' Cabinet Width
B = 17.5' Cabinet Width
C = 21.0' Cabinet Width
D = 24.5' Cabinet Width

Digit 10 = Orientation
D = Downflow
U = Upflow

Digit 11,12 = Airflow
24 = 24,000
36 = 36,000
42 = 42,000
45 = 45,000
48 = 48,000
60 = 60,000

Digit 13 = Major Design Change
A = Major Design Change

Digit 14 = Minor Design Sequence
A = First Design Sequence
B = Second Design Sequence
C = Third Design Sequence

Digit 15 = Service Digit
A = Service Digit

Part No.	Reference No.	Quantity	Description
75009819_M951UP2_181280~P	*		MODEL NUMBER NOMENCLATURE PARTS LIST

<p>MODEL NOMENCLATURE</p> <p>Montana Furnaces</p>	<p>75009819</p>	<table border="1" style="margin: auto; border-collapse: collapse;"> <tr> <td style="padding: 2px;">REV</td> </tr> <tr> <td style="padding: 2px;">A</td> </tr> </table>	REV	A
REV				
A				
<p>Model Number Example</p> <p>M 9 5 1 P 0 4 0 B D 2 4 A A A</p> <p>1 2 3 4 5 6 7 8 9 10 11 12 13 14 15</p>				
<p>Digit 1 = Brand M = Montana</p>	<p>Digit 9 = Cabinet Width A = 14.5' Cabinet Width B = 17.5' Cabinet Width C = 21.0' Cabinet Width D = 24.5' Cabinet Width</p>	<p>Digit 10 = Orientation D = Downflow U = Upflow</p>		
<p>Digit 2,3 = Model Family 80 = Non Condensing 90 or 95 = Condensing</p>	<p>Digit 11,12 = Airflow 24 = 24,000 36 = 36,000 42 = 42,000 45 = 45,000 48 = 48,000 60 = 60,000</p>	<p>Digit 13 = Major Design Change A = Major Design Change</p>		
<p>Digit 4 = Gas Valve Stages 1 = Single Stage 2 = Two Stage 3 = Three Stage M = Modulating</p>	<p>Digit 14 = Minor Design Sequence A = First Design Sequence B = Second Design Sequence C = Third Design Sequence</p>	<p>Digit 15 = Service Digit A = Service Digit</p>		
<p>Digit 5 = Blower Type P = PSC X - X13 V - Variable Speed</p>	<p>Digit 6,7,8 = BTU Input Capacity 040 = 40,000 Btu/h 060 = 60,000 Btu/h 065 = 65,000 Btu/h 080 = 80,000 Btu/h 100 = 100,000 Btu/h 110 = 110,000 Btu/h 120 = 120,000 Btu/h 140 = 140,000 Btu/h</p>			

Parts List Number :M951UP2#M951UP2

Model Number :M951P040BU24AAA

Part No.	Reference No.	Quantity	Description
158_M951UP2_248076~P	*		ACCESSORIES PARTS LIST

NO GRAPHIC AVAILABLE

75013702

REV
A

**NO
GRAPHIC
AVAILABLE**

Parts List Number :M951UP2#M951UP2

Model Number :M951P040BU24AAA

Part No.	Reference No.	Quantity	Description
FLR05570	*	1	FILTER; FRAME ASSEMBLY (BAYFLTR200)
FLR05588	*	1	FILTER; VARI-PAK MODEL S CARTRIDGE, 24H X 24W X 6D, SYNTHETIC MEDIA, 50-55% EFFICIENCY, RS-502