

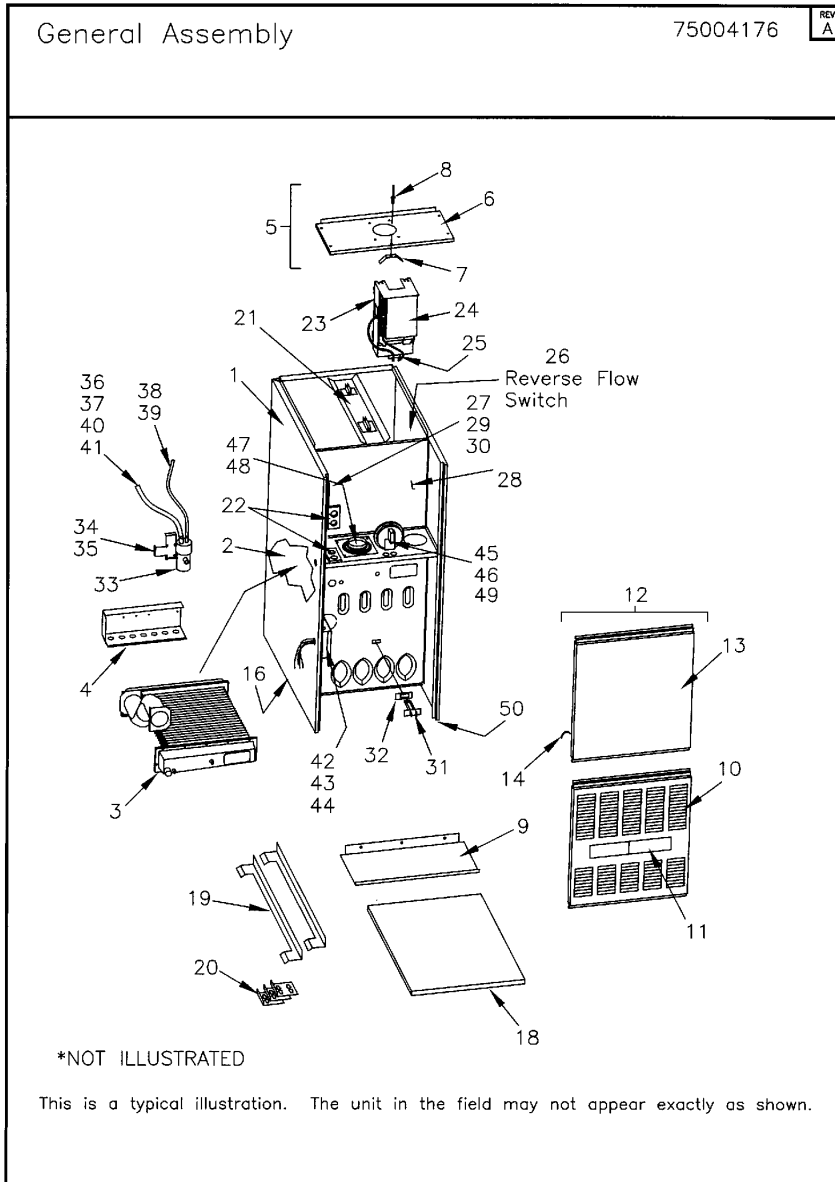
| <b>Part No.</b>        | <b>Reference No.</b> | <b>Quantity</b> | <b>Description</b>               |
|------------------------|----------------------|-----------------|----------------------------------|
| 75000660#M951UP1~S     | *                    |                 | BLOWER ASSEMBLY                  |
| 75000977#M951UP1~S     | *                    |                 | BURNER ASSEMBLY                  |
| 75004176#M951UP1~S     | *                    |                 | GENERAL ASSEMBLY                 |
| 75000978#M951UP1~S     | *                    |                 | INDUCED BLOWER AND FLUE ASSEMBLY |
| M9511_M951UP1_177853~P | *                    |                 | M951UP1 PARTS LIST               |
| 75009819#M951UP1~S     | *                    |                 | MODEL NUMBER NOMENCLATURE        |

NO GRAPHIC AVAILABLE

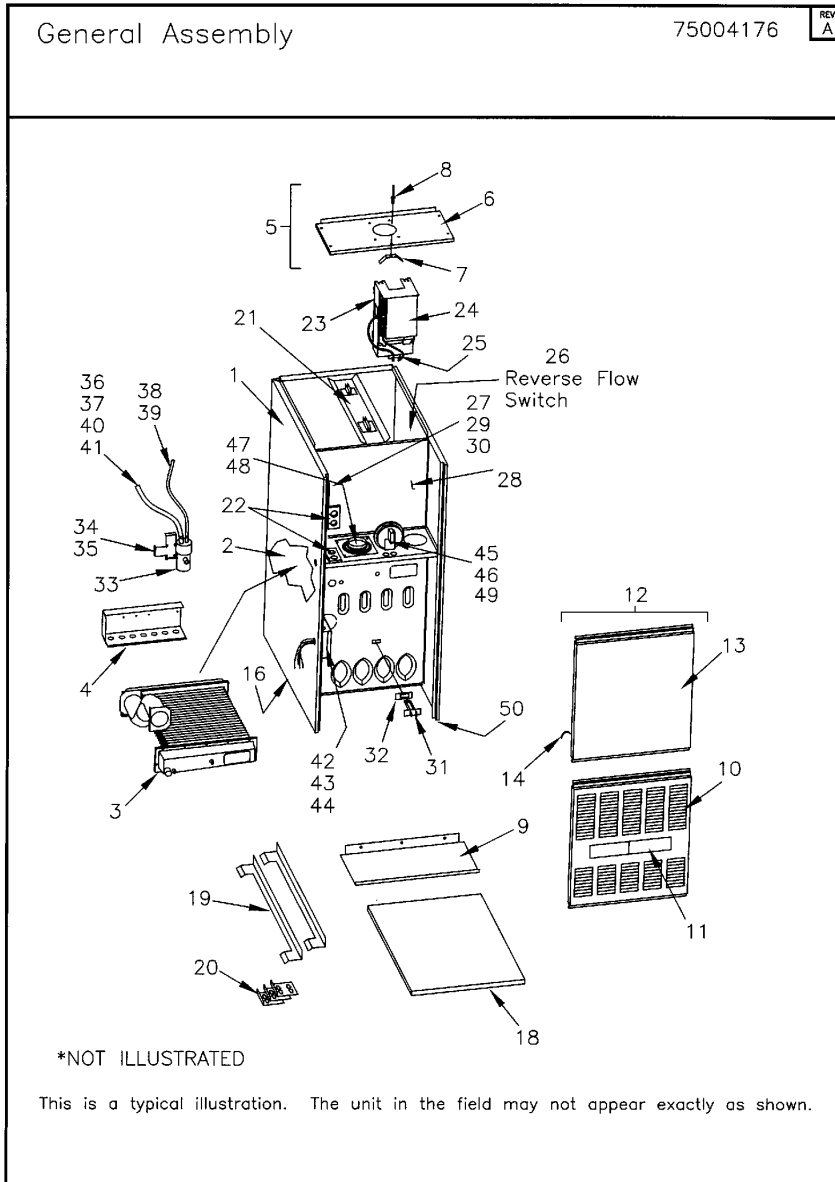
75013702

REV  
A

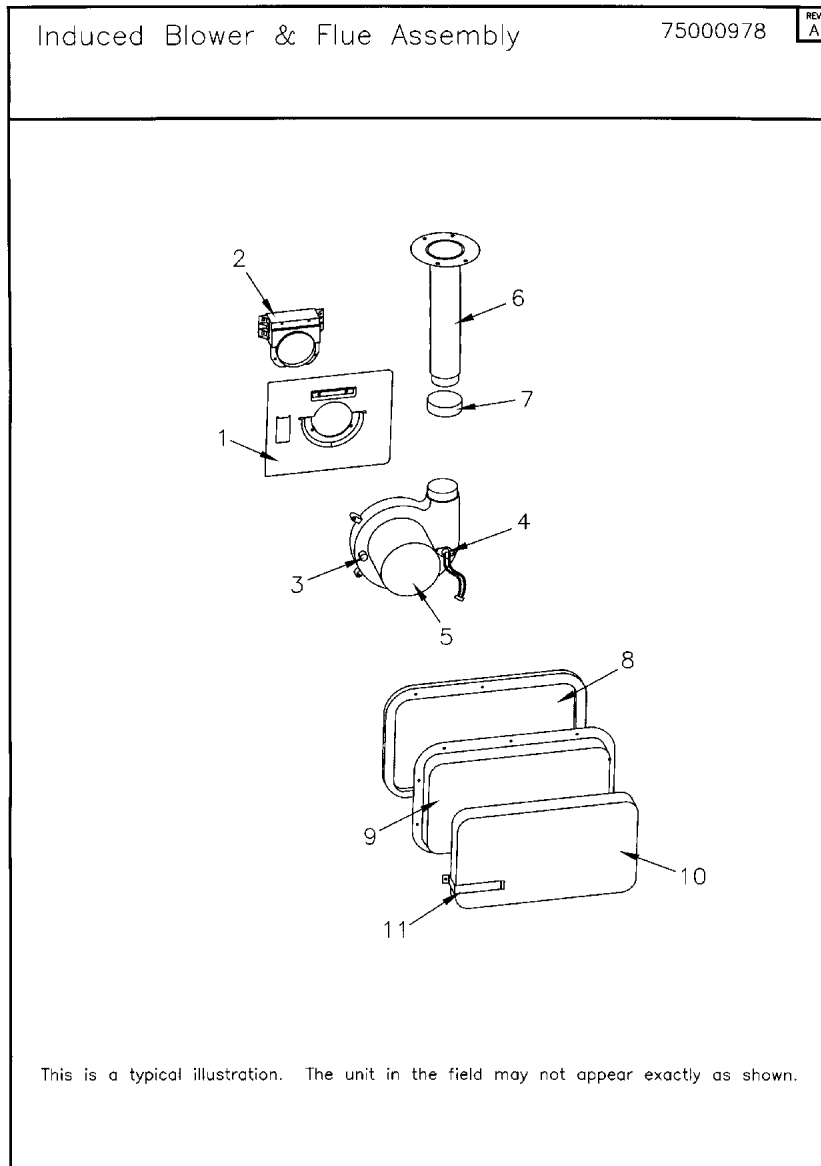
**NO  
GRAPHIC  
AVAILABLE**



| Part No.                  | Reference No. | Quantity | Description                 |
|---------------------------|---------------|----------|-----------------------------|
| 75004176_M951UP1_193631~P | *             |          | GENERAL ASSEMBLY PARTS LIST |



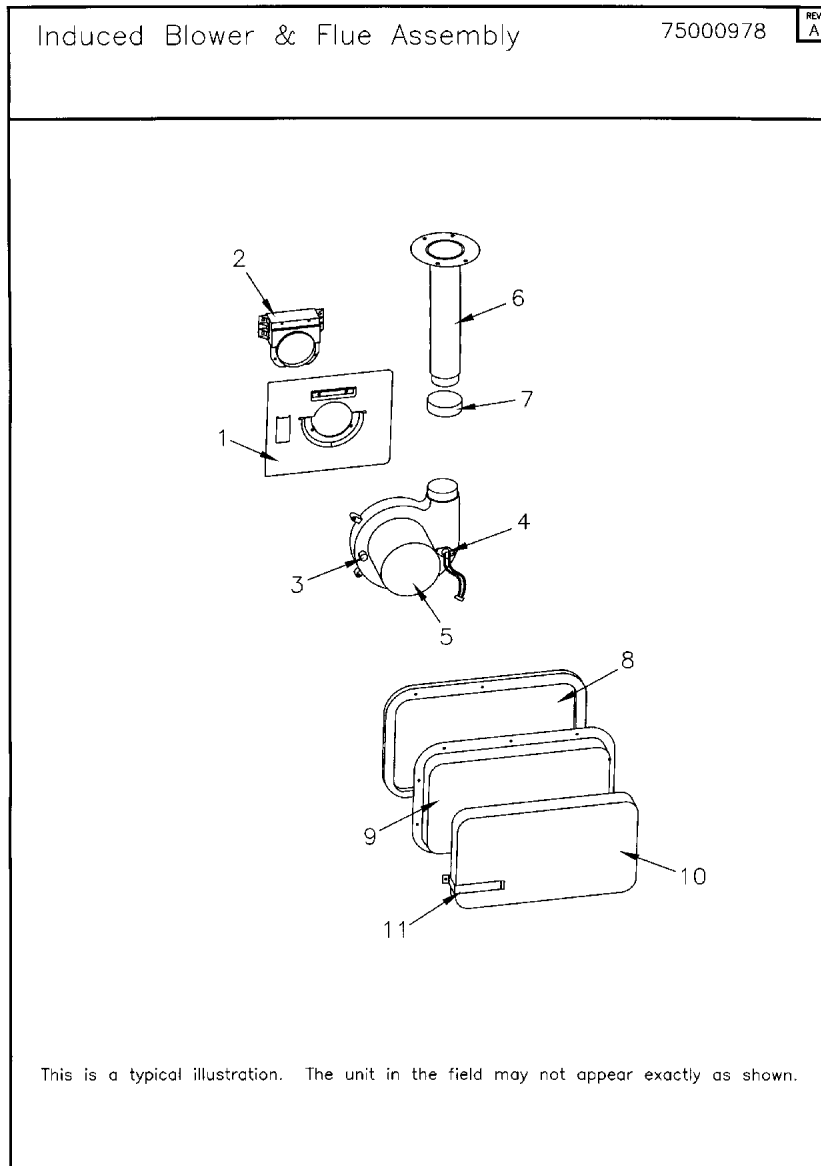
| Part No. | Reference No. | Quantity | Description   |
|----------|---------------|----------|---|
| CON00336 | *             | 1        | CONNECTOR; (BARB TUBE)  |
| CON00374 | *             | 1        | CONNECTOR; 12 PIN MALE  |
| CPL00938 | *             | 1        | COUPLING; REDUCING COUPLING ASSEMBLY - INCLUDES C341097P01 (CPL00838) AND A341677P01 (POLYPROPYLENE PAD). 2.00 TO 3.0 WHITE PVC COUPLING ADAPTER. |
| GRM00217 | *             | 1        | GROMMET; BURNER BOX ENTRY SEAL  |
| TUB11760 | *             | 1        | TUBE; CONDENSATE TUBE ASSEMBLY, TRAP TO FURNACE CABINET (FIELD CONNECTION). INCLUDES HOSE, CLAMP, BARBED ADAPTER AND COUPLING.                    |
| WIR04585 | *             | 1        | WIRE; HARNESS ASSEMBLY, INCLUDING INDUCER/IGNITOR HARNESS W/4PIN MALE CONNECTOR AND CONTROL HARNESS W/12 PIN MALE CONNECTOR.                      |
| EXC01973 | 2             | 1        | EXCHANGER; HEAT EXCHANGER WITH RCT00851   |
| COL09285 | 3             | 1        | COIL; RECOUP ASSEMBLY   |
| SUP02609 | 4             | 1        | SUPPORT; HEAT EXCHANGER   |
| COV04441 | 5             | 1        | COVER; TOP PANEL ASM  |
| COV03384 | 6             | 1        | COVER; TOP, UNPAINTED, GALVANIZED   |
| SPG00309 | 7             | 1        | SPRING; DOOR RETAINER, INCLUDED IN COVER ASSEMBLY   |
| RIV00071 | 8             | 1        | RIVET; POP, QTY 100 PER BOX COMPLETE COVER ASSEMBLY WILL INCLUDE THIS   |
| PNL28824 | 9             | 1        | PANEL; BOTTOM   |
| DOR04068 | 10            | 1        | DOOR; REPL BURNER ASM   |
| PLT04871 | 11            | 1        | PLATE; NAME ASM   |
| DOR04076 | 12            | 1        | DOOR; BLOWER ASM, INCLUDES THE CLIP   |
| DOR04069 | 13            | 2        | DOOR; FURNACE/BLOWER  |
| CLP00884 | 14            | 2        | CLIP; ACCESS PANEL  |
| BAF00854 | 16            | 1        | BAFFLE; HEAT EXCHANGER  |
| BAF00877 | 16            | 1        | BAFFLE;   |
| BRK01574 | 20            | 3        | BRACKET; CONNECTION, COIL ATTACHMENT, FOR AIR HANDLER CONNECT.  |
| GRM00836 | 22            | 1        | GROMMET; WIRE, 2.55 LENGTH X 1.69 WIDTH X .32 THICK   |
| MNT02206 | 23            | 1        | MOUNT; IFC CONTROL PLATFORM   |
| CNT05995 | 24            | 1        | CONTROL; INTEGRATED FURNACE, 1 STAGE, SINI  |
| TRR01816 | 25            | 1        | TRANSFORMER;  |
| SWT00771 | 26            | 1        | SWITCH; LIMIT, OPEN:125 DEG F/CLOSE:115 DEG F, 125 VOLT AMP 120-240 VAC PILOT DUTY  |
| BRK02173 | 27            | 1        | BRACKET; INNER BLOWER DOOR DISCONNECT SWITCH  |
| BRK02826 | 27            | 1        | BRACKET; BLOWER DOOR SWITCH   |
| SWT01714 | 27            | 1        | SWITCH; DOOR SPST, 21 AMP, 125/250VAC   |
| DOR01238 | 28            | 1        | DOOR; INNER BLOWER  |
| SUP04110 | 30            | 2        | SUPPORT; INNER DOOR   |
| SWT01652 | 31            | 1        | SWITCH; THERMAL LIMIT, OPEN AT 230F, CLOSE AT 200F, 5.8 FLA @ 120V  |
| GKT03506 | 32            | 1        | GASKET; LIMIT SWITCH  |
| TRP00007 | 33            | 1        | TRAP; CANNISTER   |
| TUB11757 | 36            | 1        | TUBE; CONDENSATE TUBE ASSEMBLY, COLD HEADER TO CANISTER TRAP. ASSEMBLY INCLUDES HOSE AND CLAMP.   |
| TUB11754 | 39            | 1        | TUBE; CONDENSATE TUBE ASSEMBLY, INDUCER TO CANISTER TRAP. INCLUDES HOSE AND CLAMP.  |
| BOX01499 | 42            | 1        | BOX; JUNCTION BOX   |
| COV03320 | 43            | 1        | COVER; JUNCTION BOX COVER   |
| BUS00300 | 44            | 1        | BUSHING; STRAIN RELIEF  |
| SWT02965 | 45            | 1        | SWITCH; PRESSURE, 28 VA PILOT DUTY 24 VAC, 125 VA PILOT DUTY 120 VAC. , 1/10 HP, 3 FLA, 18 LRA 24 VAC. OPEN AT -1.25 WC, CLOSE AT -1.44 WC        |
| GKT03082 | 47            | 1        | GASKET; INLET, 4.0 X 4.0 NONWOVEN FIBERGLASS  |
| ADP00446 | 48            | 2        | ADAPTER; INLET, 3" DIA  |
| TUB12137 | 49            | 1        | TUBE; DIRECT VENT HOSE ASSEMBLY. DIRECT VENT BOX TO GAS VALVE. ASSEMBLY INCLUDES: BLACK RUBBER TUBING AND BARBED TYPE ADAPTER, TEE00195.          |



Parts List Number :M9511#M951UP1

Model Number :M951P040BD24AAA

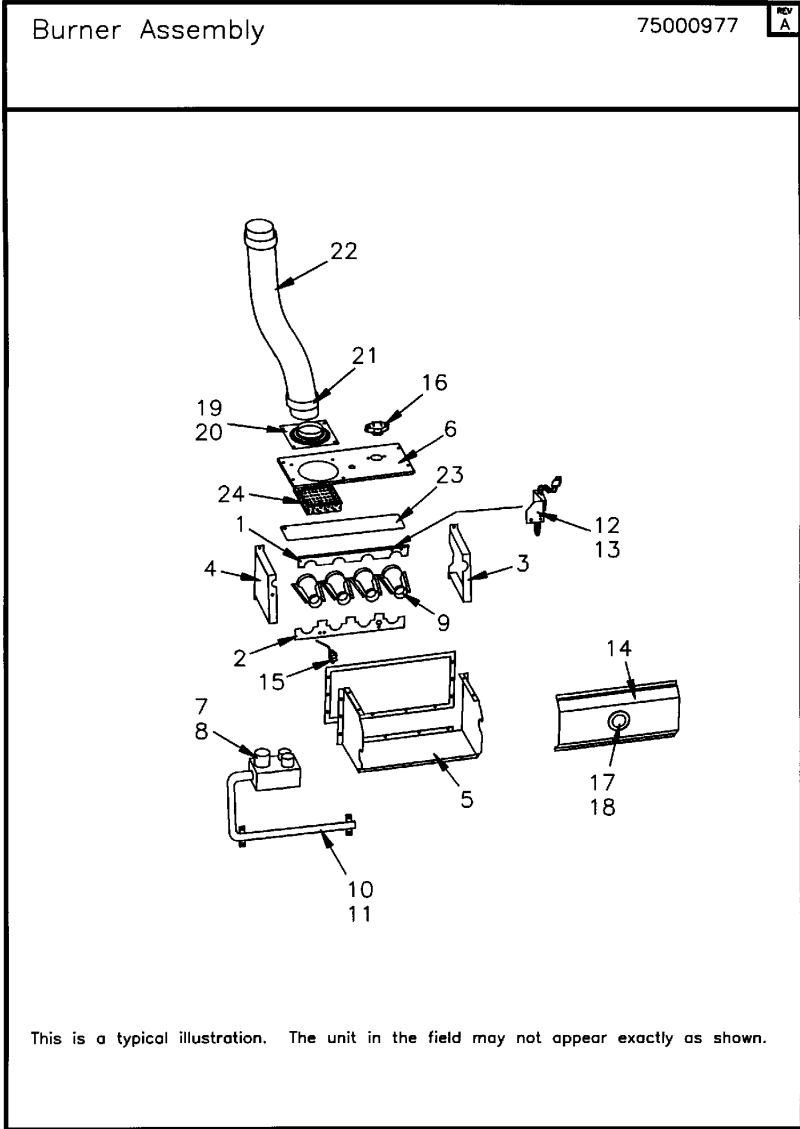
| Part No.                  | Reference No. | Quantity | Description                                 |
|---------------------------|---------------|----------|---|
| 75000978_M951UP1_193630~P | *             |          | INDUCED BLOWER AND FLUE ASSEMBLY PARTS LIST |



Parts List Number :M9511#M951UP1

Model Number :M951P040BD24AAA

| <b>Part No.</b> | <b>Reference No.</b> | <b>Quantity</b> | <b>Description</b>                                    |
|-----------------|----------------------|-----------------|---|
| MNT02266        | 1                    | 1               | MOUNT; INDUCER MOTOR MOUNTING PLATE, GALVANIZED STEEL |
| RCT00851        | 2                    | 1               | RECEPTACLE; TRANSITION INCLUDING FOUR MOUNTING SCREWS |
| CAP00453        | 3                    | 1               | CAP; VINYL  |
| SWT02686        | 4                    | 1               | SWITCH; LIMIT INDUCER, OPEN 155, CLOSE 125 DEG F      |
| BLW01137        | 5                    | 1               | BLOWER; INDUCER DRAFT, 1-STAGE, BALL BEARING          |
| PIP00365        | 6                    | 1               | PIPE; FLUE, MOLDED                                    |
| CMP00381        | 7                    | 1               | CLAMP; FLUE STACK PIPE TO INDUCED BLOWER              |
| GKT02604        | 8                    | 1               | GASKET;COLLECTOR BOX                                  |
| BOX00579        | 9                    | 1               | BOX; FLUE COLLECTOR                                   |
| INS01972        | 10                   | 1               | INSULATION; COLLECTOR BOX                             |

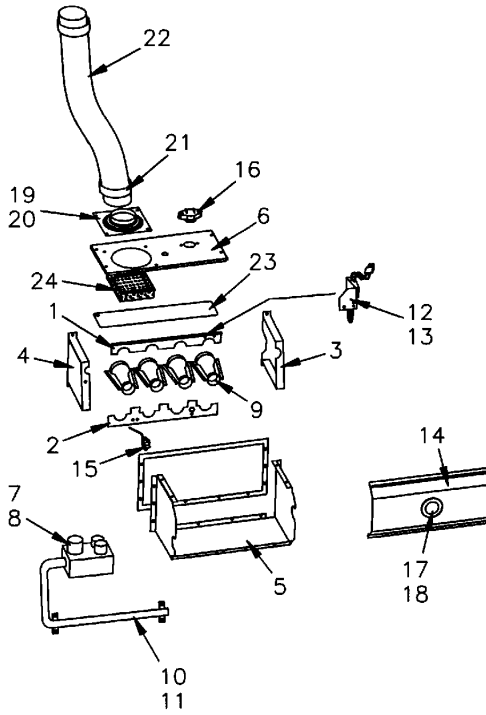


| Part No.                  | Reference No. | Quantity | Description                |
|---------------------------|---------------|----------|----------------------------|
| 75000977_M951UP1_193629~P | *             |          | BURNER ASSEMBLY PARTS LIST |

Burner Assembly

75000977

REV  
A



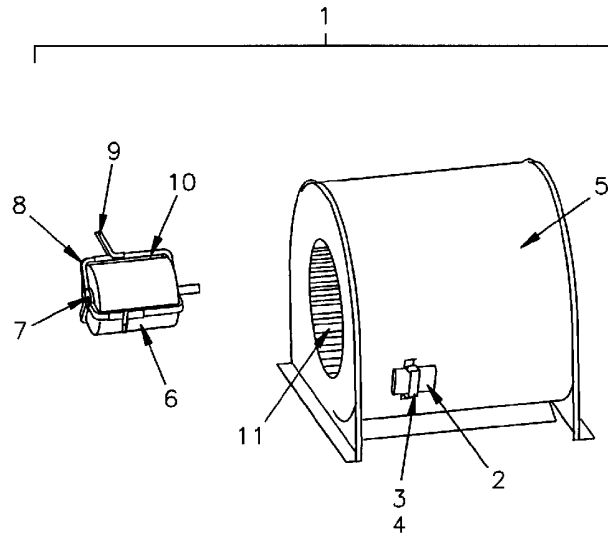
This is a typical illustration. The unit in the field may not appear exactly as shown.

| Part No. | Reference No. | Quantity | Description  |
|----------|---------------|----------|--|
| GKT03085 | *             | 1        | GASKET; VENT BOX   |
| BRK01959 | 1             | 1        | BRACKET; TOP   |
| BRK01526 | 2             | 1        | BRACKET; BURNER  |
| SUP02127 | 3             | 1        | SUPPORT; BURNER-RIGHT HAND   |
| SUP02126 | 4             | 1        | SUPPORT; BURNER-LEFT HAND  |
| BOX00604 | 5             | 1        | BOX;DIRECT VENT  |
| COV03094 | 6             | 1        | COVER; TOP DIRECT VENT - DOWNFLOW  |
| VAL09028 | 7             | 1        | VALVE; GAS, FAST OPENING 1/2-14 NPT, 24V, 50/60 HZ, "J" SERIES   |
| BNR01074 | 9             | 2        | BURNER; ALUMINUM STL, .50 INSERT DIA, TOG-L-LOC  |
| ORF01427 | 10            | 2        | ORIFICE; SPUD, DRILL #45, BRASS  |
| MFD00904 | 11            | 1        | MANIFOLD; GAS  |
| IGN00145 | 12            | 1        | IGNITER; SILICON-NITRIDE, 80V, INCLUDES BRACKET, SCREWS AND INSTALL GUIDE  |
| BRK03336 | 13            | 1        | BRACKET; SiNi IGNITOR BRACKET  |
| COV04438 | 14            | 1        | COVER; FRONT ASM DV  |
| SEN01114 | 15            | 1        | SENSOR; FLAME, NIKROTHAL 80 MATERIAL   |
| SWT03313 | 16            | 1        | SWITCH; SWITCH-FLAME ROLLOUT, 82 DEGREES C, 190 DEGREES F, NON-TRIP FREE, 5.8 FLA, 34.8 LRA AT 120 VAC, 24 VAC, MANUAL RESET, FIXED TEMPERATURE THERMOSTAT AND NON-ADJUSTABLE. |
| GKT03082 | 19            | 2        | GASKET; INLET, 4.0 X 4.0 NONWOVEN FIBERGLASS   |
| ADP00446 | 20            | 2        | ADAPTER; INLET, 3" DIA   |
| ADP01053 | 20            | 1        | ADAPTER; FLUE CONNECTOR WITH PERFORATED AIR DIFFUSER, 3 INCH DIAMETER, PLASTIC   |
| CMP00380 | 21            | 2        | CLAMP; FLUE STACK  |
| CON00468 | 22            | 1        | CONNECTOR; FLEX  |
| PLT02218 | 23            | 1        | PLATE; DEFLECTOR   |
| DIF00178 | 24            | 1        | DIFFUSER; AIR  |

Blower Assembly

75000660

REV  
A



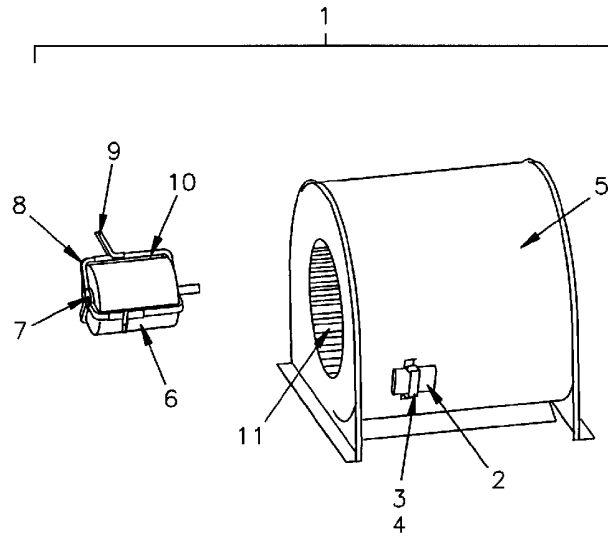
This is a typical illustration. The unit in the field may not appear exactly as shown.

| Part No.                  | Reference No. | Quantity | Description                |
|---------------------------|---------------|----------|----------------------------|
| 75000660_M951UP1_193628~P | *             |          | BLOWER ASSEMBLY PARTS LIST |

Blower Assembly

75000660

REV  
A



This is a typical illustration. The unit in the field may not appear exactly as shown.

| <b>Part No.</b> | <b>Reference No.</b> | <b>Quantity</b> | <b>Description</b>  |
|-----------------|----------------------|-----------------|---|
| BLW00496        | 1                    | 1               | BLOWER;COMPLETE ASSEMBLY  |
| CPT00477        | 2                    | 1               | CAPACITOR; RUN, 7.5 MFD, 370VAC, OVAL, W/O RESISTOR   |
| SRP00841        | 3                    | 1               | STRAP;  |
| HUS01568        | 5                    | 1               | HOUSING;BLOWER ASSEMBLY   |
| MOT07614        | 6                    | 1               | MOTOR; 1/5 HP, 115/60/1, 1080RPM,48FRM,TYPE PSC, SLEEVE BEARING, 7.5 MFD AT 370V, CCW, W/RESILIENT RING |
| BRK00690        | 8                    | 2               | BRACKET; ASSEMBLY, SHORT, 4.06 X 2.31, INCLUDES RING CUP  |
| SUP03399        | 9                    | 3               | SUPPORT; HANGER   |
| BRK00691        | 10                   | 2               | BRACKET; ASSEMBLY, LONG, 5.00 X 2.39, INCLUDES RING CUP   |
| WHL02353        | 11                   | 1               | WHEEL; BLOWER, 48 BLADES, CW, CONCAVE DISC, 10 X 7  |

MODEL NOMENCLATURE  
Montana Furnaces

75009819

REV  
A

Model Number Example  
**M 9 5 1 P 0 4 0 B D 2 4 A A A**  
**1 2 3 4 5 6 7 8 9 10 11 12 13 14 15**

Digit 1 = Brand  
M = Montana

Digit 2,3 = Model Family  
80 = Non Condensing  
90 or 95 = Condensing

Digit 4 = Gas Valve Stages  
1 = Single Stage  
2 = Two Stage  
3 = Three Stage  
M = Modulating

Digit 5 = Blower Type  
P = PSC  
X - X13  
V - Variable Speed

Digit 6,7,8 = BTU Input Capacity  
040 = 40,000 Btu/h  
060 = 60,000 Btu/h  
065 = 65,000 Btu/h  
080 = 80,000 Btu/h  
100 = 100,000 Btu/h  
110 = 110,000 Btu/h  
120 = 120,000 Btu/h  
140 = 140,000 Btu/h

Digit 9 = Cabinet Width  
A = 14.5' Cabinet Width  
B = 17.5' Cabinet Width  
C = 21.0' Cabinet Width  
D = 24.5' Cabinet Width

Digit 10 = Orientation  
D = Downflow  
U = Upflow

Digit 11,12 = Airflow  
24 = 24,000  
36 = 36,000  
42 = 42,000  
45 = 45,000  
48 = 48,000  
60 = 60,000

Digit 13 = Major Design Change  
A = Major Design Change

Digit 14 = Minor Design Sequence  
A = First Design Sequence  
B = Second Design Sequence  
C = Third Design Sequence

Digit 15 = Service Digit  
A = Service Digit

| Part No.                  | Reference No. | Quantity | Description                          |
|---------------------------|---------------|----------|--------------------------------------|
| 75009819_M951UP1_177859~P | *             |          | MODEL NUMBER NOMENCLATURE PARTS LIST |

MODEL NOMENCLATURE

75009819

REV  
A

Montana Furnaces

Model Number Example

**M 9 5 1 P 0 4 0 B D 2 4 A A A**  
**1 2 3 4 5 6 7 8 9 10 11 12 13 14 15**

Digit 1 = Brand  
 M = Montana

Digit 2,3 = Model Family  
 80 = Non Condensing  
 90 or 95 = Condensing

Digit 4 = Gas Valve Stages  
 1 = Single Stage  
 2 = Two Stage  
 3 = Three Stage  
 M = Modulating

Digit 5 = Blower Type  
 P = PSC  
 X - X13  
 V - Variable Speed

Digit 6,7,8 = BTU Input Capacity  
 040 = 40,000 Btu/h  
 060 = 60,000 Btu/h  
 065 = 65,000 Btu/h  
 080 = 80,000 Btu/h  
 100 = 100,000 Btu/h  
 110 = 110,000 Btu/h  
 120 = 120,000 Btu/h  
 140 = 140,000 Btu/h

Digit 9 = Cabinet Width  
 A = 14.5" Cabinet Width  
 B = 17.5" Cabinet Width  
 C = 21.0" Cabinet Width  
 D = 24.5" Cabinet Width

Digit 10 = Orientation  
 D = Downflow  
 U = Upflow

Digit 11,12 = Airflow  
 24 = 24,000  
 36 = 36,000  
 42 = 42,000  
 45 = 45,000  
 48 = 48,000  
 60 = 60,000

Digit 13 = Major Design Change  
 A = Major Design Change

Digit 14 = Minor Design Sequence  
 A = First Design Sequence  
 B = Second Design Sequence  
 C = Third Design Sequence

Digit 15 = Service Digit  
 A = Service Digit

Parts List Number :M9511#M951UP1

Model Number :M951P040BD24AAA