

<b>Part No.</b>	<b>Reference No.</b>	<b>Quantity</b>	<b>Description</b>
75002424#M801UP1~S	*		BLOWER ASSEMBLY
75000676#M801UP1~S	*		BURNER ASSEMBLY
75004163#M801UP1~S	*		GENERAL ASSEMBLY
75000675#M801UP1~S	*		INDUCED BLOWER AND FLUE ASSEMBLY
M801UP1_M801UP1_140738~P	*		M801UP1 PARTS LIST
75009819#M801UP1~S	*		MODEL NOMENCLATURE

NO GRAPHIC AVAILABLE

75013702

REV  
A

**NO  
GRAPHIC  
AVAILABLE**



Part No.	Reference No.	Quantity	Description
75004163_M801UP1_140746~P	*		GENERAL ASSEMBLY PARTS LIST



Part No.	Reference No.	Quantity	Description
BRK01969	*	1	BRACKET; HEAT EXCHANGER SUPPORT
BRK02826	*	1	BRACKET; BLOWER DOOR SWITCH
GKT01700	*	1	MIN=6/6 GASKET; ADAPTER 0.25 X 0.75 X 3.22
PIP00343	*	1	PIPE; COMPOUND
SWT01714	*	1	SWITCH; DOOR SPST, 21 AMP, 125/250VAC
TUB08301	*	1	TUBE; PRESSURE SWITCH, STAINLESS STEEL, .025 O.D. .035 WALL THK.
COV04437	5	1	COVER; REPL TOP ASM
PNL28837	6	1	PANEL; TOP QW
SPG00309	7	1	SPRING; DOOR RETAINER, INCLUDED IN COVER ASSEMBLY
CNL01934	9	1	CHANNEL; BOTTOM DF QW
DOR04088	10	1	DOOR; BURNER
PLT04873	11	1	PLATE; NAME ASM
DOR01197	12	1	DOOR; FURNACE, CUMBERLAND
CLP00886	14	1	CLIP; ACCESS PANEL
BRK02173	15	1	BRACKET; INNER BLOWER DOOR DISCONNECT SWITCH
BAF00853	16	2	BAFFLE; HEAT EXCHANGER
BAF00899	17	1	BAFFLE; HEAT EXCHANGER
BRK01527	20	3	BRACKET; BURNER
GRM00836	22	1	GROMMET; WIRE, 2.55 LENGTH X 1.69 WIDTH X .32 THICK
CNT03799	24	1	CONTROL; IFC W/COVER AND WIRE LEADS
TRR01816	25	1	TRANSFORMER;
SUP04110	26	2	SUPPORT; INNER DOOR
DOR02019	27	1	DOOR; INNER BLOWER
SWT01277	30	1	SWITCH; THERMAL LIMIT, OPEN AT 145, CLOSE AT 115 DEG. F
SHD00194	32	1	SHIELD; LIMIT
BOX01499	33	1	BOX; JUNCTION BOX
COV03320	34	1	COVER; JUNCTION BOX COVER
BUS00300	35	1	BUSHING; STRAIN RELIEF
IRT00020	36	6	INSERT; BURNER
SWT02293	37	1	SWITCH; PRESSURE, 1 POLE, N.O., 1/10 HP, 3 FLA, 18 LRA, 120 VAC, OPEN AT -0.45 TO -0.55 WC, CLOSE AT -0.65 (IS2)
HSE01563	38	1	HOSE; PRESSURE SWITCH, 5.00 X .188 ID X .094 WALL, TRANSLUCENT SILICONE COMPOUND

Induced Blower and Flue Assembly 75000675 REV  
A



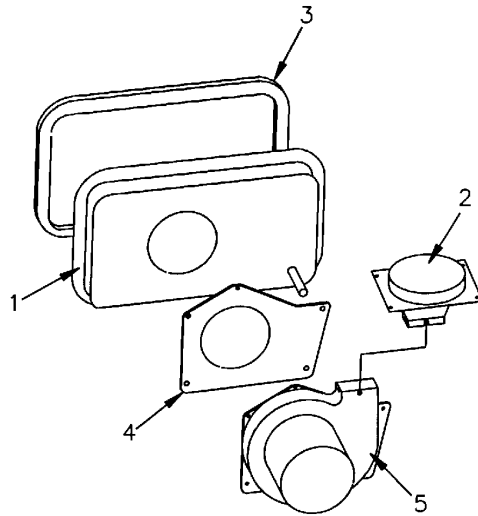
This is a typical illustration. The unit in the field may not appear exactly as shown.

Parts List Number :M801UP1#M801UP1

Model Number :M801P120DD60AAB

Part No.	Reference No.	Quantity	Description
75000675_M801UP1_140740~P	*		INDUCED BLOWER AND FLUE ASSEMBLY PARTS LIST

Induced Blower and Flue Assembly 75000675 REV  
A

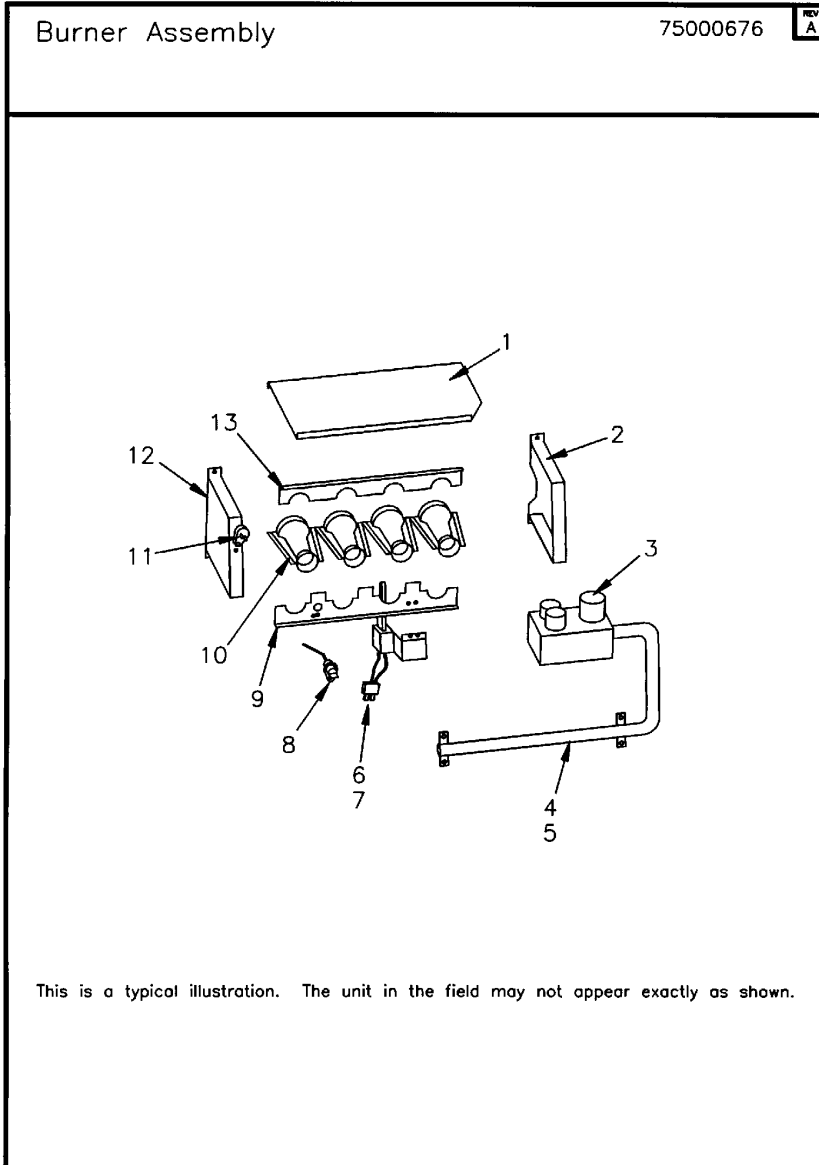


This is a typical illustration. The unit in the field may not appear exactly as shown.

Parts List Number :M801UP1#M801UP1

Model Number :M801P120DD60AAB

<b>Part No.</b>	<b>Reference No.</b>	<b>Quantity</b>	<b>Description</b>
FLU00143	1	1	FLUE; COLLECTOR ASSEMBLY
ADP00295	2	1	ADAPTER;FLUE TRANSITION ASSEMBLY
GKT02606	3	1	GASKET;COLLECTOR BOX
GKT03081	4	1	GASKET; VENTER ASSEMBLY
BLW00888	5	1	BLOWER; INDUCED, 1 STAGE



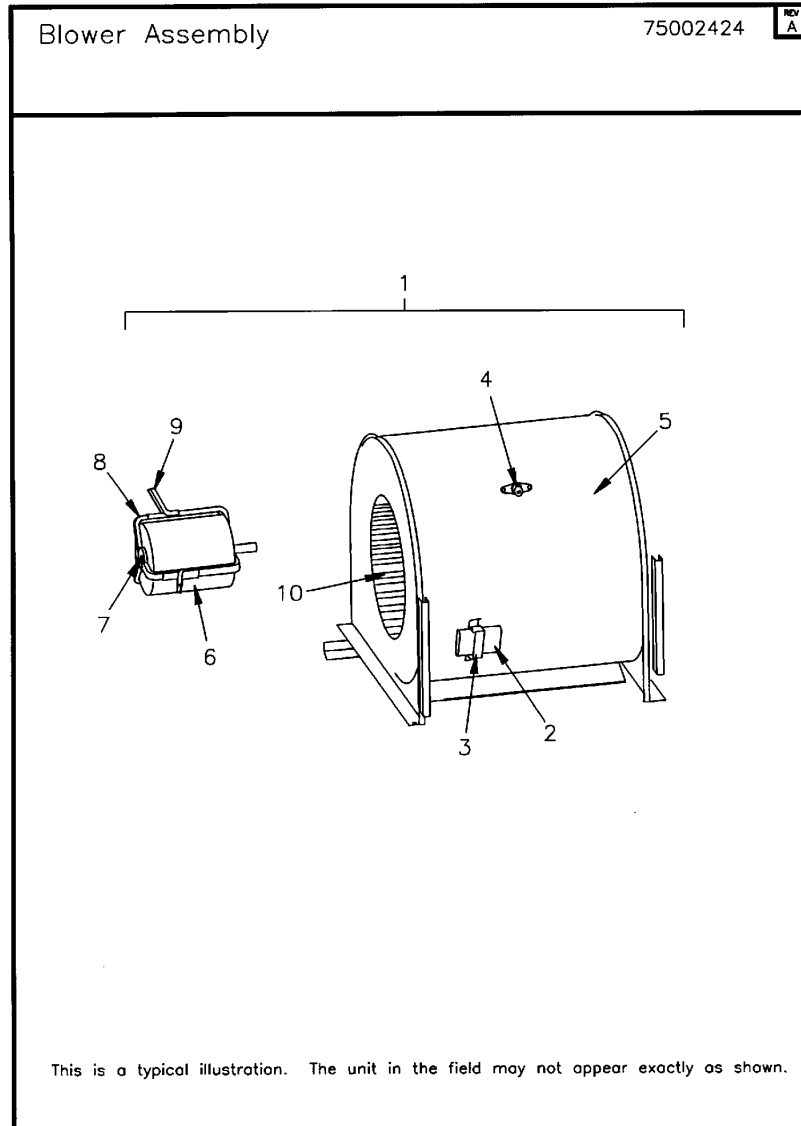
Part No.	Reference No.	Quantity	Description
75000676_M801UP1_140741~P	*		BURNER ASSEMBLY PARTS LIST



Part No.	Reference No.	Quantity	Description
COV03464	1	1	COVER; BURNER, 18.10 LG
SUP02127	2	1	SUPPORT; BURNER-RIGHT HAND
VAL09029	3	1	VALVE; GAS, SLOW OPENING 1/2-14 NPT, 24V, 50/60 HZ, "J" SERIES
ORF01427	4	6	ORIFICE; SPUD, DRILL #45, BRASS
MFD00528	5	1	MANIFOLD; PIPE ASSEMBLY, 6 BURNER
BRK03336	6	1	BRACKET; SiNi IGNITOR BRACKET
IGN00152	7	1	MIN=12/12 IGNITER; SILICON-NITRIDE, 120V, INCLUDES BRACKET AND SCREWS
SEN01114	8	1	SENSOR; FLAME, NIKROTHAL 80 MATERIAL
BRK01530	9	1	BRACKET; BURNER
BNR01074	10	6	BURNER; ALUMINUM STL, .50 INSERT DIA, TOG-L-LOC
SWT02173	11	1	SWITCH; SWITCH-FLAME ROLLOUT
SUP02126	12	1	SUPPORT; BURNER-LEFT HAND
BRK01963	13	1	BRACKET; TOP



Part No.	Reference No.	Quantity	Description
75002424_M801UP1_140742~P	*		BLOWER ASSEMBLY PARTS LIST



Part No.	Reference No.	Quantity	Description
CPT00478	2	1	CAPACITOR; RUN, 15 MFD, 370VAC, OVAL, W/O RESISTOR
SRP00841	3	1	STRAP;
SWT01656	4	1	SWITCH; REVERSE FLOW, OPEN 130F, CLOSE 120F
HUS03421	5	1	HOUSING; REPLACEMENT BLOWER HOUSING ASSEMBLY
MOT11992	6	1	MOTOR; 1/2 HP, 115/60/1, 1075 RPM, TYPE PSC, 48 FRM, CCW, SLEEVE BRG, 15 MFD @ 370V, INCLUDES RESILIENT RINGS
RNG00957	7	2	RING; RESILIENT, 2.5 OD
BRK00690	8	2	BRACKET; ASSEMBLY, SHORT, 4.06 X 2.31, INCLUDES RING CUP
BRK00691	8	2	BRACKET; ASSEMBLY, LONG, 5.00 X 2.39, INCLUDES RING CUP
SUP03399	9	3	SUPPORT; HANGER
WHL02915	10	1	WHEEL; BLOWER, 11.7 IN DIA X 10.6 IN WIDE, 0.50 IN BORE, CW ROTATION

MODEL NOMENCLATURE  
 Montana Furnaces

75009819

REV  
 A

Model Number Example  
**M 9 5 1 P 0 4 0 B D 2 4 A A A**  
**1 2 3 4 5 6 7 8 9 10 11 12 13 14 15**

Digit 1 = Brand  
 M = Montana

Digit 2,3 = Model Family  
 80 = Non Condensing  
 90 or 95 = Condensing

Digit 4 = Gas Valve Stages  
 1 = Single Stage  
 2 = Two Stage  
 3 = Three Stage  
 M = Modulating

Digit 5 = Blower Type  
 P = PSC  
 X - X13  
 V - Variable Speed

Digit 6,7,8 = BTU Input Capacity  
 040 = 40,000 Btu/h  
 060 = 60,000 Btu/h  
 065 = 65,000 Btu/h  
 080 = 80,000 Btu/h  
 100 = 100,000 Btu/h  
 110 = 110,000 Btu/h  
 120 = 120,000 Btu/h  
 140 = 140,000 Btu/h

Digit 9 = Cabinet Width  
 A = 14.5' Cabinet Width  
 B = 17.5' Cabinet Width  
 C = 21.0' Cabinet Width  
 D = 24.5' Cabinet Width

Digit 10 = Orientation  
 D = Downflow  
 U = Upflow

Digit 11,12 = Airflow  
 24 = 24,000  
 36 = 36,000  
 42 = 42,000  
 45 = 45,000  
 48 = 48,000  
 60 = 60,000

Digit 13 = Major Design Change  
 A = Major Design Change

Digit 14 = Minor Design Sequence  
 A = First Design Sequence  
 B = Second Design Sequence  
 C = Third Design Sequence

Digit 15 = Service Digit  
 A = Service Digit

Part No.	Reference No.	Quantity	Description
75009819_M801UP1_140748~P	*		MODEL NOMENCLATURE PARTS LIST

MODEL NOMENCLATURE  
 Montana Furnaces

75009819

REV  
 A

Model Number Example  
**M 9 5 1 P 0 4 0 B D 2 4 A A A**  
**1 2 3 4 5 6 7 8 9 10 11 12 13 14 15**

Digit 1 = Brand  
 M = Montana

Digit 2,3 = Model Family  
 80 = Non Condensing  
 90 or 95 = Condensing

Digit 4 = Gas Valve Stages  
 1 = Single Stage  
 2 = Two Stage  
 3 = Three Stage  
 M = Modulating

Digit 5 = Blower Type  
 P = PSC  
 X - X13  
 V - Variable Speed

Digit 6,7,8 = BTU Input Capacity  
 040 = 40,000 Btu/h  
 060 = 60,000 Btu/h  
 065 = 65,000 Btu/h  
 080 = 80,000 Btu/h  
 100 = 100,000 Btu/h  
 110 = 110,000 Btu/h  
 120 = 120,000 Btu/h  
 140 = 140,000 Btu/h

Digit 9 = Cabinet Width  
 A = 14.5' Cabinet Width  
 B = 17.5' Cabinet Width  
 C = 21.0' Cabinet Width  
 D = 24.5' Cabinet Width

Digit 10 = Orientation  
 D = Downflow  
 U = Upflow

Digit 11,12 = Airflow  
 24 = 24,000  
 36 = 36,000  
 42 = 42,000  
 45 = 45,000  
 48 = 48,000  
 60 = 60,000

Digit 13 = Major Design Change  
 A = Major Design Change

Digit 14 = Minor Design Sequence  
 A = First Design Sequence  
 B = Second Design Sequence  
 C = Third Design Sequence

Digit 15 = Service Digit  
 A = Service Digit

