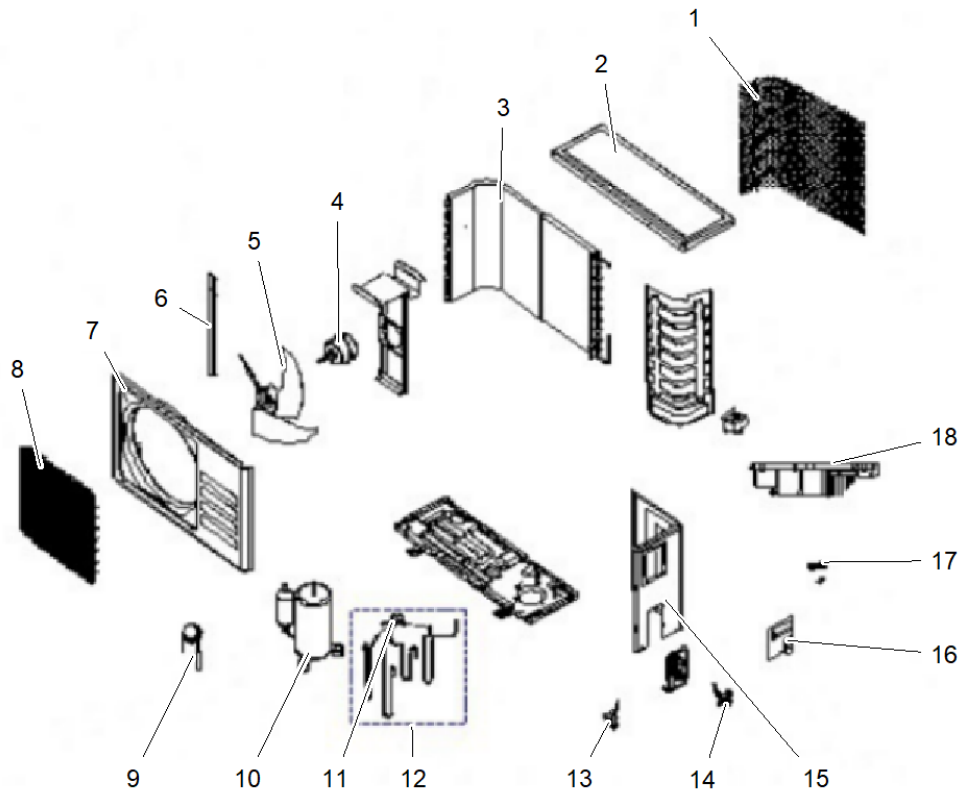


<b>Part No.</b>	<b>Reference No.</b>	<b>Quantity</b>	<b>Description</b>
0000192205~S	*		General Assembly
0000192204~S	*		Model Number Description

Part No.	Reference No.	Quantity	Description
000044391~P	*		General Assembly



Part No.	Reference No.	Quantity	Description
SEN03200	*	1	SENSOR; PIPE TEMP. SENSOR AND OUTDOOR TEMP. SENSOR
GRL02399	1	1	GRILLE;
COV06312	2	1	COVER; TOP
CDS02750	3	1	CONDENSER;
MOT20962	4	1	MOTOR; OUTDOOR
FAN06792	5	1	FAN; PROPELLER
SUP07113	6	1	SUPPORT; LEFT GRILLE SUPPORTER
PLT07483	7	1	PLATE; FRONT
GRD02171	8	1	GUARD; FAN
TUB16265	9	1	TUBE; CAPILLARY ASSEMBLY
COM14155	10	1	COMPRESSOR;
VAL20734	11	1	VALVE; 4-WAY
VAL20729	12	1	VALVE; 4-WAY VALVE ASSEMBLY
VAL20731	13	1	VALVE; TWO WAY
VAL20732	14	1	VALVE; THREE-WAY
PLT07480	15	1	PLATE; RIGHT
COV06315	16	1	COVER; ELECTRICAL BOX
TER01928	17	1	TERMINAL;
CNT09461	18	1	CONTROL; OUTDOOR PCB ASSEMBLY

Part No.	Reference No.	Quantity	Description
000044367~P	*		Model Number Description

MODEL NUMBER DESCRIPTION

75015623

REV  
A

*Example Model Number:*

M 4 T V S 1 7 0 9 A 1 1 N A A  
1 - - - - 5 - - - - 10 - - - - 15

**Digit 1 – Brand Name**

M = Ameristar

**Digit 2 – Refrigerant Type**

4 = R410a

**Digit 3 – Unit Type**

T = Outdoor

**Digit 4 – Functional Type**

V = Value to the options

**Digit 5 – Unit Configuration**

W = High Wall Unit

**Digits 6-7 – Efficiency Tier (SEER)**

17 = 17 SEER

**Digits 8-9 – Nominal Capacity**

09 = 0.75 Ton

12 = 1.0 Ton

18 = 1.5 Ton

24 = 2 Ton

**Digit 10 – Major Development Change**

A = First Major Development Change

**Digit 11 – Electric Power Supply Characteristics**

1 = 200-230V/1PH/60HZ

**Digit 12 – Refrigerant Ports**

1 = 1 Port

**Digit 13 – Regional Markets Served**

N = North American Market

**Digit 14 – Minor Design Change**

A = First Minor Design Change

**Digit 15 – Service Digit**

A = First Service Digit

