

Parts List Number :0000099739

Model Number :M4TLS1818A11NBA

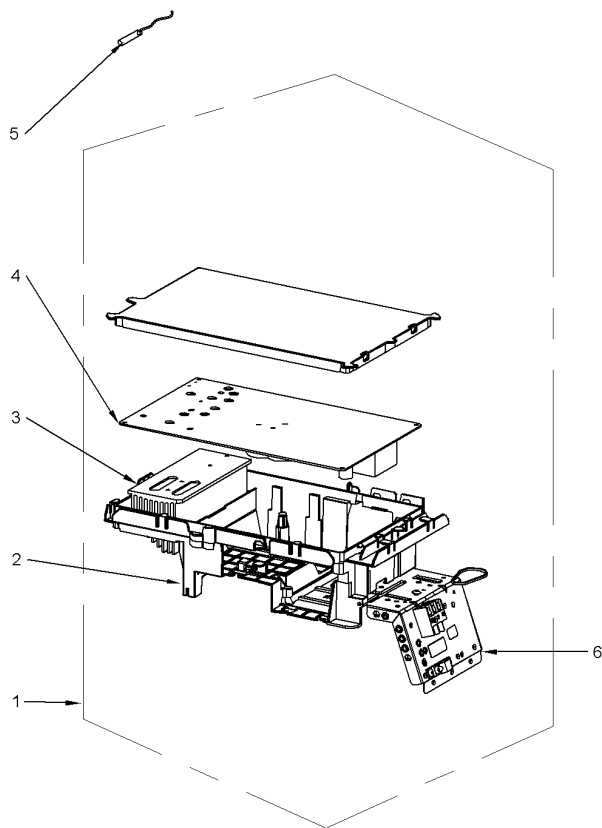
<b>Part No.</b>	<b>Reference No.</b>	<b>Quantity</b>	<b>Description</b>
0000100154~S	*		CONTROLS & WIRES
0000100153~S	*		GENERAL ASSEMBLY
0000100155~S	*		MODEL NUMBER DESCRIPTION

Part No.	Reference No.	Quantity	Description
000009238~P	*		CONTROLS & WIRES PARTS LIST

CONTROLS & WIRES  
OUTDOOR LOW AMBIENT SINGLE PORT  
1.5 TON

75012304

REV.  
A



All orderable Service Parts are identified for this product.

Parts that are not identified, will not be available to order.

This is a typical illustration. The unit in the field may not appear exactly as shown.

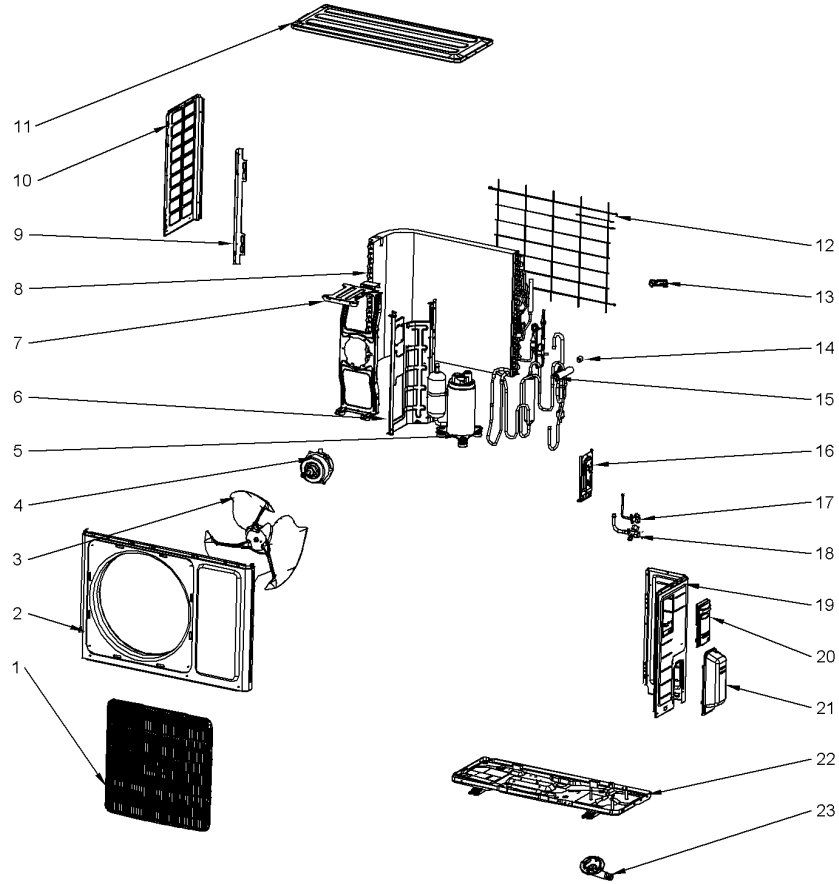
<b>Part No.</b>	<b>Reference No.</b>	<b>Quantity</b>	<b>Description</b>
OLD00725	*	1	OVERLOAD; COMPRESSOR, PROTECTOR, EXTERNAL
BOX03409	1	1	BOX; ELECTRIC, ASSEMBLY
BOX02922	2	1	BOX; ELECTRICAL
COL28026	3	1	COIL; RADIATOR
BRD06406	4	1	BOARD; MAIN BOARD
SEN01804	5	1	SENSOR; TEMPERATURE (INCLUDES; DISCHARGE TUBE SENSOR (50K), COIL TUBE SENSOR (20K) AND OUTDOOR AMBIENT SENSOR (15K))
BRD03384	6	1	BOARD; TERMINAL

Part No.	Reference No.	Quantity	Description
000009234~P	*		GENERAL ASSEMBLY PARTS LIST

GENERAL ASSEMBLY  
OUTDOOR LOW AMBIENT SINGLE PORT  
1.5 TON

75012303

REV.  
A



All orderable Service Parts are identified for this product.  
Parts that are not identified, will not be available to order.  
This is a typical illustration. The unit in the field may not appear exactly as shown.

Part No.	Reference No.	Quantity	Description
ELM09214	*	1	ELEMENT; ELECTRICAL HEATER (CHASSIS)
PAI00420	*	1	PAINT; CUSTOM PAINT MATCH FOR MINI SPLIT
GRL01689	1	1	GRILLE; FRONT GRILL
PNL32542	2	1	PANEL; FRONT PANEL ASSY
FAN04378	3	1	FAN; AXIAL FLOW
MOT14615	4	1	MOTOR; BRUSHLESS DC FAN, 60W, 370V
COM11893	5	1	COMPRESSOR; AND FITTINGS
PNL31756	6	1	PANEL; CLAPBOARD ASSY
SUP06141	7	1	SUPPORT; MOTOR
COL28288	8	1	COIL; CONDENSER ASSY
SUP06139	9	1	SUPPORT; COIL PLATE
PNL29955	10	1	PANEL; FRONT SIDE
COV05307	11	1	COVER; TOP
GRL01688	12	1	GRILLE; REAR GRILL
CMP01443	13	1	CLAMP; WIRING
COL16754	14	1	COIL; SOLNOID REVERSING VALVE
VAL18593	15	1	VALVE; 4-WAY ASSEMBLY
SUP05280	16	1	SUPPORT; VALVE SUPPORT ASSY
VAL09985	17	1	VALVE; CUT-OFF VALVE SUB-ASSY
VAL10618	18	1	VALVE; 1/2 INCH
PLT05940	19	1	PLATE; RIGHT SIDE
HDL01293	20	1	HANDLE;
COV04872	21	1	COVER; VALVE COVER
BAS02823	22	1	BASE; PAN
FTG01288	23	1	FITTING; DRAINAGE JOINT

Part No.	Reference No.	Quantity	Description
000009256~P	*		MODEL NUMBER GRAPHIC

MODEL NUMBER DESCRIPTION  
DUCTLESS SYSTEMS

75013584

REV  
B

*Example Model Number:*  
**M4THS1812A11NAA**  
1 - - - 5 - - - - 10 - - - - 15

**Digit 1 – Brand Name**

M = Ameristar / RunTru

**Digit 2 – Refrigerant Type**

4 = R410a

**Digit 3 – Unit Type**

M = Indoor  
T = Outdoor

**Digit 4 – Functional Type**

C = Cooling Only  
H = Heat Pump  
L = Low Ambient

**Digit 5 – Unit Configuration**

M = Multi Port  
S = Single Port  
W = High Wall

**Digit 6, 7 – Efficiency Tier (SEER)**

15 = 15 SEER  
18 = 18 SEER  
22 = 22 SEER  
24 = 24 SEER

**Digit 8, 9 – Nominal Capacity**

09 = .75 ton  
12 = 1.0 ton  
18 = 1.5 ton  
24 = 2 ton  
30 = 2.5 ton  
36 = 3 ton  
42 = 3.5 ton

**Digit 10 – Major Development Change**

A = First Major Development Change

**Digit 11 – Electric Power Supply**

**Characteristics**

1 = 200/208-230V/1PH/60HZ  
9 = 115V/1PH/60HZ

**Digit 12 – Refrigerant Ports**

1 = 1 Port  
2 = 2 Ports  
3 = 3 Ports  
4 = 4 Ports  
5 = 5 Ports

**Digit 13 – Regional Markets Served**

N = North America Market

**Digit 14 – Minor Design Change**

A = First Minor Design Change

**Digit 15 – Service Digit**

A = First Service Digit

All orderable Service Parts are identified for this product.

Parts that are not identified, will not be available to order.

This is a typical illustration. The unit in the field may not appear exactly as shown.

