

Part No.	Reference No.	Quantity	Description
M4MLWUP1_M4MLWUP1_19186 4-P	*		M4MLWUP1 PARTS LIST
75012308#M4MLWUP1~S	*		MODEL NOMENCLATURE OUTDOOR LOW AMBIENT SINGLE PORT
75012300#M4MLWUP1~S	*		OUTDOOR CONTROLS & WIRES
75012299#M4MLWUP1~S	*		OUTDOOR GENERAL ASSEMBY

NO GRAPHIC AVAILABLE

75013702

REV
A

**NO
GRAPHIC
AVAILABLE**

NOMENCLATURE

75012308

REV.
A

OUTDOOR LOW AMBIENT SINGLE PORT

Model Number Example

M 4 T L S 1 8 0 9 A 1 1 N A A
1 2 3 4 5 6 7 8 9 10 11 12 13 14 15

Digit 1 = Brand Name
M = Ameristar

Digit 2 = Refrigerant
2 = R22
4 = R410A

Digit 3 = Indoor/Outdoor
T = Outdoor

Digit 4 = Unit Type
HP = Heat Pump
L = Low Ambient

Digit 5 = System Type
S = Single Port

Digit 6-7 = Efficiency Tier (SEER)
18 - 18 SEER

Digit 8-9 = Nominal Capacity
09 = .75 ton
12 = 1.0 ton
18 = 1.5 ton
24 = 2.0 ton

Digit 10 = Major Development Sequence
Alphabet Letter; "A" through "Z"

Digit 11 = Electric Power Supply Characteristics
1 = 200-230v/1PH/60Hz or 208-230v/1PH/60Hz

Digit 12 = Refrigerant Ports
1 = 1 Port

Digit 13 = Region of Sale
N = North American Market

Digit 14,15 = Minor Design Sequence - Design Change
Alphabet Letter; "A" through "Z"

All orderable Service Parts are identified for this product.

Parts that are not identified, will not be available to order.

This is a typical illustration. The unit in the field may not appear exactly as shown.

Parts List Number :M4MLWUP1#M4MLWUP1

Model Number :M4TLS1809A11NAA

Part No.	Reference No.	Quantity	Description
75012308_M4MLWUP1_191869~ P	*		MODEL NOMENCLATURE OUTDOOR LOW AMBIENT SINGLE PORT PARTS LIST

NOMENCLATURE

75012308

REV.
A

OUTDOOR LOW AMBIENT SINGLE PORT

Model Number Example

M 4 T L S 1 8 0 9 A 1 1 N A A
1 2 3 4 5 6 7 8 9 10 11 12 13 14 15

Digit 1 = Brand Name
M = Ameristar

Digit 2 = Refrigerant
2 = R22
4 = R410A

Digit 3 = Indoor/Outdoor
T = Outdoor

Digit 4 = Unit Type
HP = Heat Pump
L = Low Ambient

Digit 5 = System Type
S = Single Port

Digit 6-7 = Efficiency Tier (SEER)
18 - 18 SEER

Digit 8-9 = Nominal Capacity
09 = .75 ton
12 = 1.0 ton
18 = 1.5 ton
24 = 2.0 ton

Digit 10 = Major Development Sequence
Alphabet Letter; "A" through "Z"

Digit 11 = Electric Power Supply Characteristics
1 = 200-230v/1PH/60Hz or 208-230v/1PH/60Hz

Digit 12 = Refrigerant Ports
1 = 1 Port

Digit 13 = Region of Sale
N = North American Market

Digit 14,15 = Minor Design Sequence - Design Change
Alphabet Letter; "A" through "Z"

All orderable Service Parts are identified for this product.

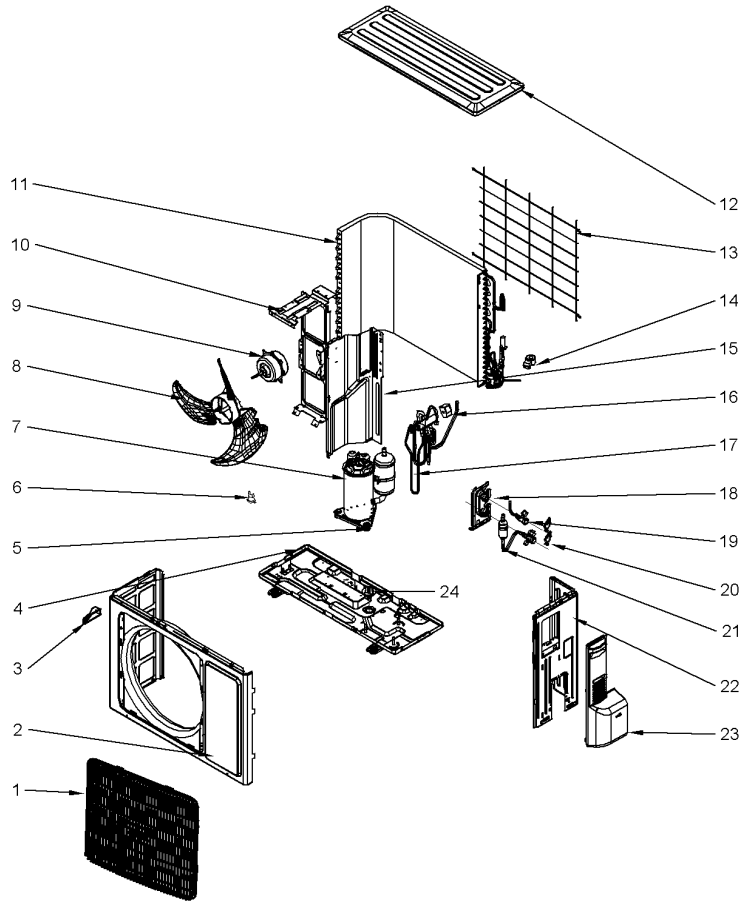
Parts that are not identified, will not be available to order.

This is a typical illustration. The unit in the field may not appear exactly as shown.

GENERAL ASSEMBLY
OUTDOOR LOW AMBIENT SINGLE PORT
3/4 TON

75012299

REV.
A



All orderable Service Parts are identified for this product.

Parts that are not identified, will not be available to order.

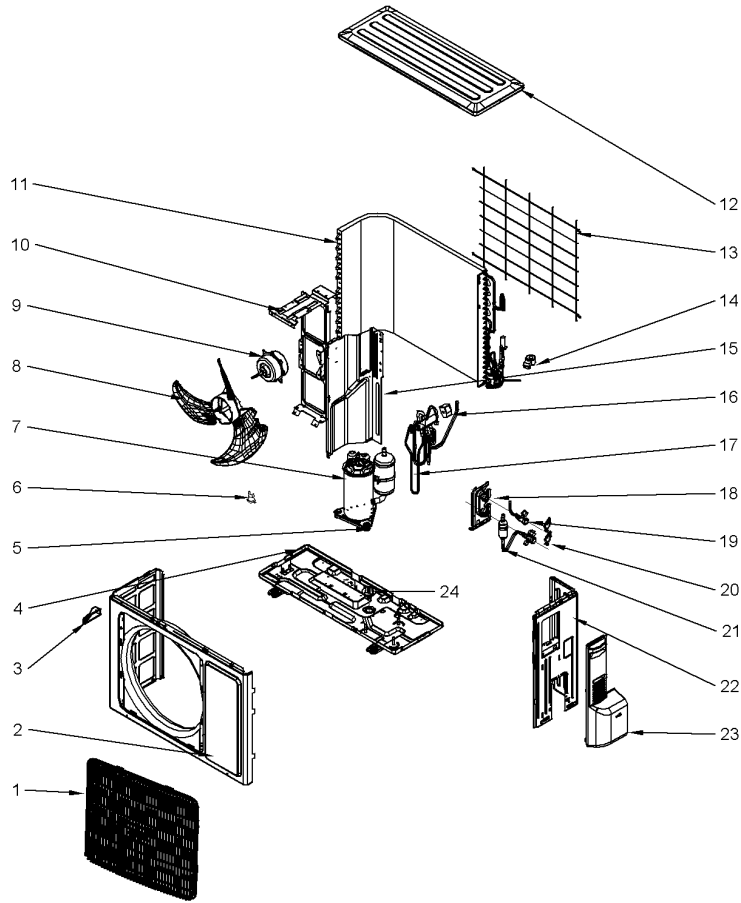
This is a typical illustration. The unit in the field may not appear exactly as shown.

Part No.	Reference No.	Quantity	Description
75012299_M4MLWUP1_301408~ P	*		OUTDOOR GENERAL ASSEMBLY PARTS LIST

GENERAL ASSEMBLY
OUTDOOR LOW AMBIENT SINGLE PORT
3/4 TON

75012299

REV.
A



All orderable Service Parts are identified for this product.

Parts that are not identified, will not be available to order.

This is a typical illustration. The unit in the field may not appear exactly as shown.

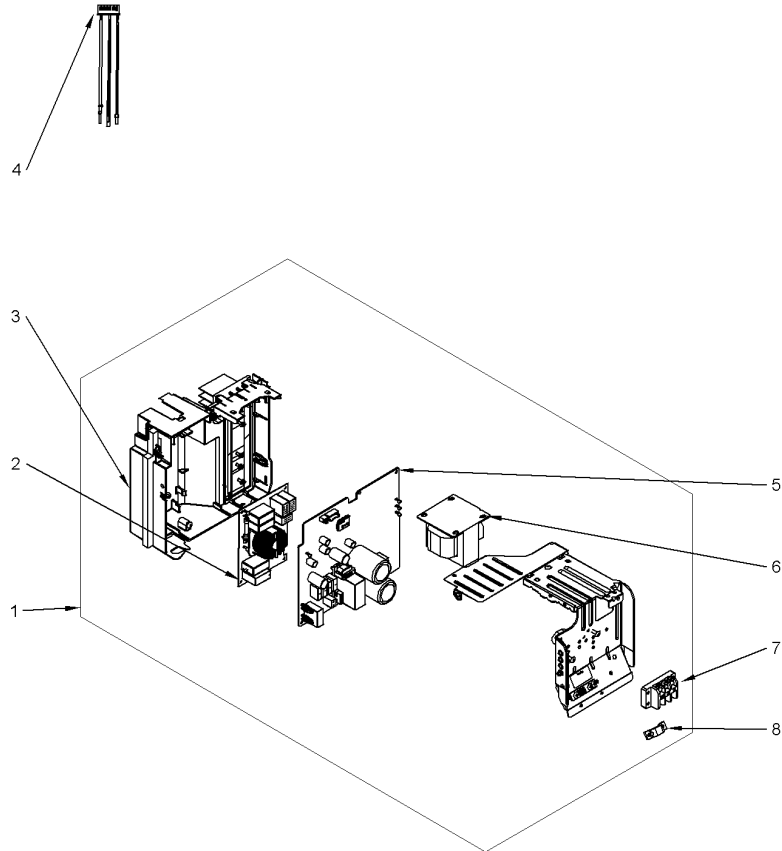
Part No.	Reference No.	Quantity	Description
PAI00420	*	1	PAINT; CUSTOM PAINT MATCH FOR MINI SPLIT
GRL01837	1	1	GRILL; FRONT
PNL33566	2	1	PANEL; FRONT ASSEMBLY
HLD00673	3	1	HANDLE; FRONT PANEL
PNL35353	4	1	PANEL; CHASSIS SUB ASSEMBLY
GRM01062	5	3	GROMMET; COMPRESSOR ISOLATION
OLD00725	6	1	OVERLOAD; COMPRESSOR, PROTECTOR, EXTERNAL
COM12775	7	1	COMPRESSOR; AND FITTINGS
FAN05603	8	1	FAN; ASSEMBLY
MOT18476	9	1	MOTOR; FAN MOTOR
SUP06141	10	1	SUPPORT; MOTOR
COL28287	11	1	COIL; CONDENSER ASSY
COV05098	12	1	COVER; TOP ASSEMBLY
GRL02046	13	1	GRILL; REAR
COL18464	14	1	COIL; ELECTRIC EXPAND VALVE FITTING
PNL33516	15	1	PANEL; CONTROL BOX /AIR FLOW SEPARATOR
COL26129	16	1	COIL; MAGNET
VAL18592	17	1	VALVE; 4-WAY ASSEMBLY
SUP06101	18	1	SUPPORT; 4 WAY VALVE ASSEMBLY
VAL08943	19	1	VALVE; 1/4 LIQUID
SUP06145	20	2	SUPPORT; VALVE (INSERT)
VAL09988	21	1	VALVE; CUT-OFF VALVE
PLT05866	22	1	PLATE; RIGHT SIDE
FTG01288	24	1	FITTING; DRAINAGE JOINT

CONTROL & WIRES

75012300

REV.
A

OUTDOOR LOW AMBIENT SINGLE PORT
3/4 TON



All orderable Service Parts are identified for this product.

Parts that are not identified, will not be available to order.

This is a typical illustration. The unit in the field may not appear exactly as shown.

Parts List Number :M4MLWUP1#M4MLWUP1

Model Number :M4TLS1809A11NAA

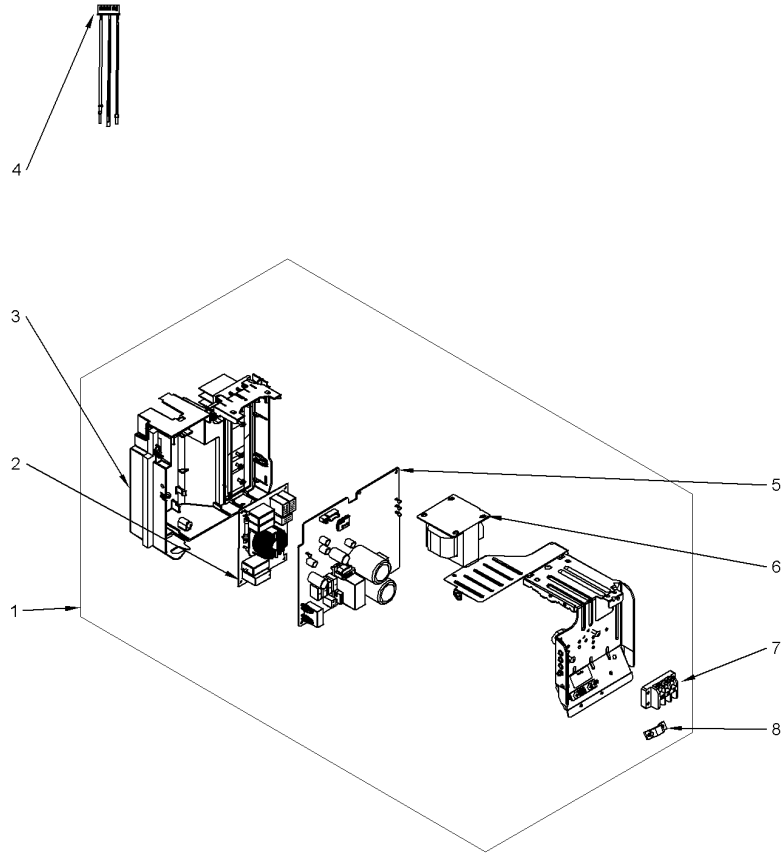
Part No.	Reference No.	Quantity	Description
75012300_M4MLWUP1_301409~ P	*		OUTDOOR CONTROLS & WIRES PARTS LIST

CONTROL & WIRES

75012300

REV.
A

OUTDOOR LOW AMBIENT SINGLE PORT
3/4 TON



All orderable Service Parts are identified for this product.

Parts that are not identified, will not be available to order.

This is a typical illustration. The unit in the field may not appear exactly as shown.

Parts List Number :M4MLWUP1#M4MLWUP1

Model Number :M4TLS1809A11NAA

Part No.	Reference No.	Quantity	Description
BOX03411	1	1	BOX; ELECTRIC ASSEMBLY
BOX03416	3	1	BOX; ELECTRIC ASSEMBLY
SEN02631	4	1	SENSOR; TEMPERATURE, CONTAINS ALL THREE THERMISTORS
BRD06408	5	1	BOARD; MAIN BOARD
TRR02657	6	1	TRANSFORMER; REACTOR
BRD06404	7	1	BOARD; TERMINAL
CMP01444	8	2	CLAMP; WIRE