

<b>Part No.</b>	<b>Reference No.</b>	<b>Quantity</b>	<b>Description</b>
0000100126~S	*		COMPRESSOR, COILS & VALVES
0000100128~S	*		CONTROLS
0000100129~S	*		FAN & PANELS
0000100131~S	*		MODEL NUMBER DESCRIPTION

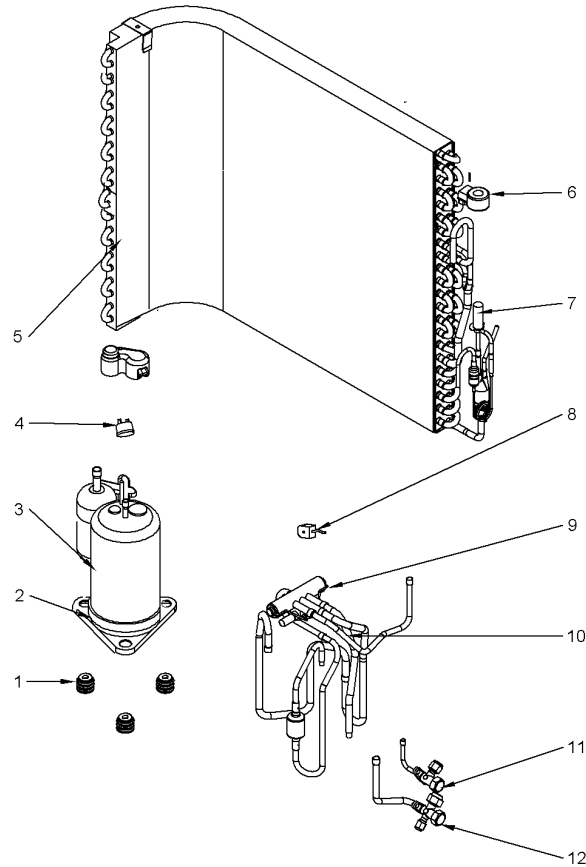
Part No.	Reference No.	Quantity	Description
000009207~P	*		COMPRESSOR, COIL & VALVES PARTS LIST

CONDENSER, COMPRESSOR & VALVES

75011954

REV.  
A

1.0 TON OUTDOOR  
TYPICAL ILLUSTRATION



All orderable Service Parts are identified for this product.

Parts that are not identified, will not be available to order.

This is a typical illustration. The unit in the field may not appear exactly as shown.

Parts List Number :0000099738

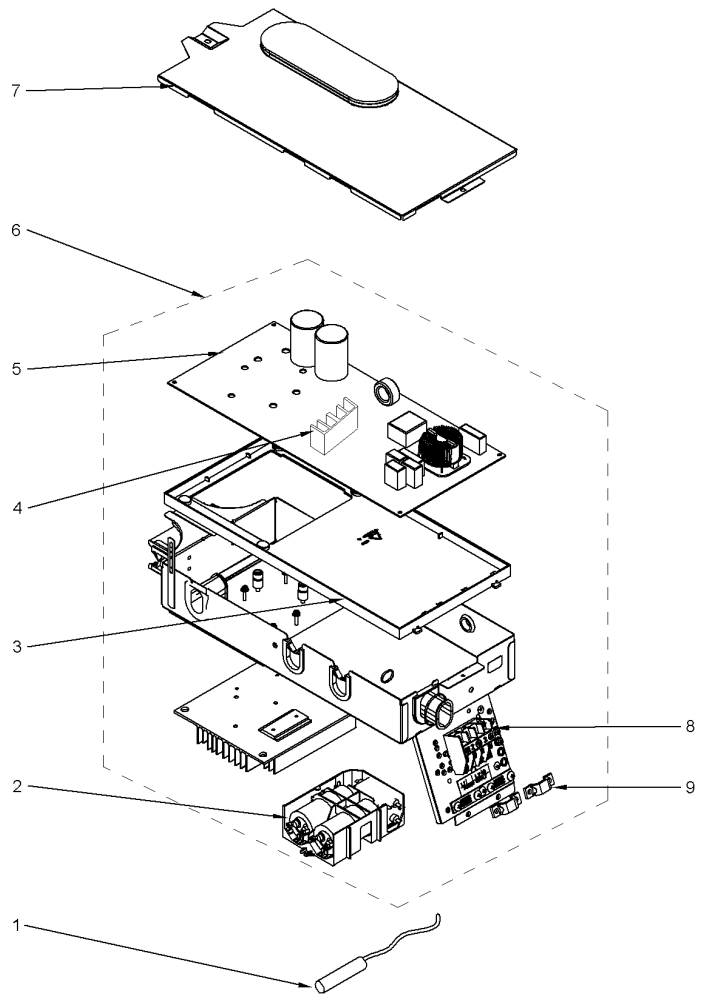
Model Number :M4THS2212A91NBA

<b>Part No.</b>	<b>Reference No.</b>	<b>Quantity</b>	<b>Description</b>
GKT04834	1	3	GASKET; COMPRESSOR
HTR16084	2	1	HEATER; ELECTRICAL, COMPRESSOR
COM12077	3	1	COMPRESSOR;
OLD00725	4	1	OVERLOAD; COMPRESSOR, PROTECTOR, EXTERNAL
COL25827	5	1	COIL; CONDENSER
FTG01158	6	1	FITTING; ELECTRIC EXPAND VALVE FITTING, (STEPPER MOTOR)
VAL12195	7	1	VALVE; EEV, STRAINER AND PIPING
COL25828	8	1	COIL; SOLENOID
VAL10709	9	1	VALVE; 4-WAY
VAL12192	10	1	VALVE; 4 WAY, (STRAINER AND TUBING) BLACK
VAL08943	11	1	VALVE; 1/4 LIQUID
VAL10015	12	1	VALVE; 3/8 VAPOR

Part No.	Reference No.	Quantity	Description
000009212~P	*		CONTROLS PARTS LIST

ELECTRIC BOX ASSY, COVER & TEMP SENSOR 75011952  
1.0 TON OUTDOOR  
TYPICAL ILLUSTRATION

REV.  
A



All orderable Service Parts are identified for this product.  
Parts that are not identified, will not be available to order.  
This is a typical illustration. The unit in the field may not appear exactly as shown.

<b>Part No.</b>	<b>Reference No.</b>	<b>Quantity</b>	<b>Description</b>
SEN02043	1	1	SENSOR; TEMPERATURE
CPT02452	2	1	CAPACITOR; SUB ASSEMBLY
BOX02691	3	1	BOX; ELECTRIC, 1
EXC02410	4	1	EXCHANGER; HEAT SINK
BRD05465	5	1	BOARD; MAIN
BOX02880	6	1	BOX; ELECTRICAL
COV04851	7	1	COVER; ELECTRIC BOX SUB-ASSY
BRD04349	8	1	BOARD; TERMINAL
CMP01444	9	2	CLAMP; WIRE

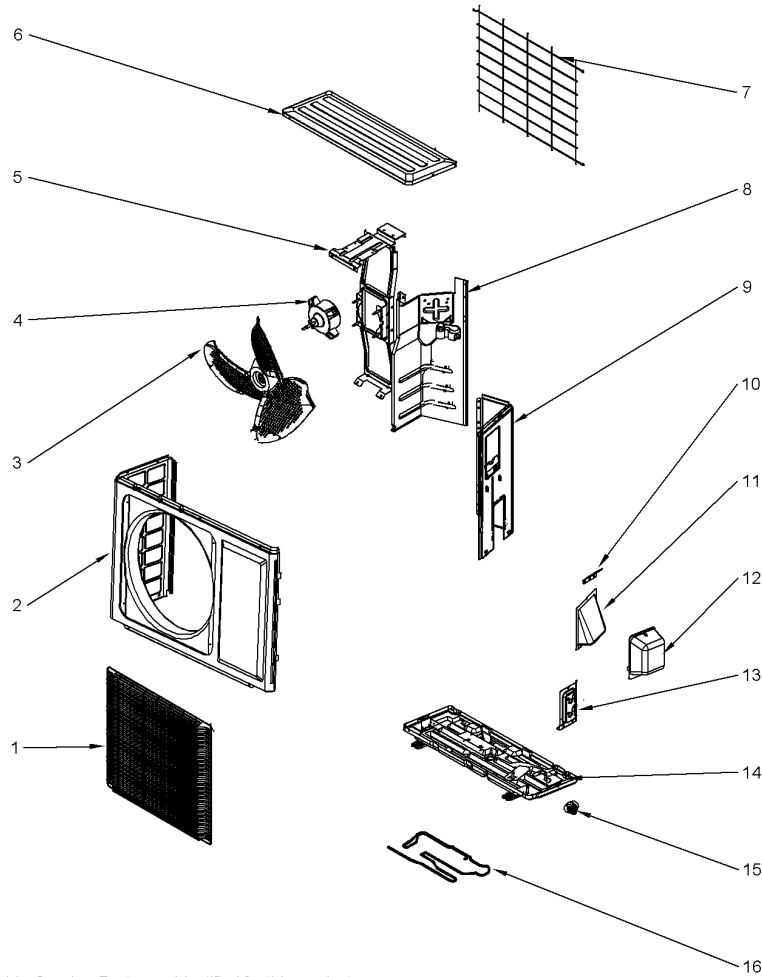
<b>Part No.</b>	<b>Reference No.</b>	<b>Quantity</b>	<b>Description</b>
000009232~P	*		FAN & PANELS PARTS LIST

PANELS AND FAN SECTION

75011953

REV.  
A

1.0 TON OUTDOOR  
TYPICAL ILLUSTRATION



All orderable Service Parts are identified for this product.

Parts that are not identified, will not be available to order.

This is a typical illustration. The unit in the field may not appear exactly as shown.

Part No.	Reference No.	Quantity	Description
PAI00420	*	1	PAINT; CUSTOM PAINT MATCH FOR MINI SPLIT
GRL01837	1	1	GRILL; FRONT
PNL32180	2	1	PANEL; FRONT
FAN04663	3	1	FAN; AXIAL FLOW
MOT17275	4	1	MOTOR; FAN
SUP05541	5	1	SUPPORT; MOTOR, SUB-ASSEMBLY
PNL34637	6	1	PANEL; TOP COVER PLATE
GRL02027	7	1	GRILL; REAR
PNL34636	8	1	PANEL; CLAPBOARD SUB ASSY
PLT05257	9	1	PLATE; RIGHT SIDE
PLT05368	10	1	PLATE; CABLE SUPPORT 1
PLT05369	11	1	PLATE; TERMINAL COVER 2
COV05061	12	1	COVER; VALVE
SUP06052	13	1	SUPPORT; VALVE
BAS02791	14	1	BASE; PAN
FTG01288	15	1	FITTING; DRAINAGE JOINT
HTR16085	16	1	HEATER; BASE PAN

Part No.	Reference No.	Quantity	Description
000009256~P	*		MODEL NUMBER GRAPHIC

MODEL NUMBER DESCRIPTION  
DUCTLESS SYSTEMS

75013584

REV  
B

*Example Model Number:*  
**M4THS1812A11NAA**  
1 - - - 5 - - - - 10 - - - - 15

**Digit 1 – Brand Name**

M = Ameristar / RunTru

**Digit 2 – Refrigerant Type**

4 = R410a

**Digit 3 – Unit Type**

M = Indoor  
T = Outdoor

**Digit 4 – Functional Type**

C = Cooling Only  
H = Heat Pump  
L = Low Ambient

**Digit 5 – Unit Configuration**

M = Multi Port  
S = Single Port  
W = High Wall

**Digit 6, 7 – Efficiency Tier (SEER)**

15 = 15 SEER  
18 = 18 SEER  
22 = 22 SEER  
24 = 24 SEER

**Digit 8, 9 – Nominal Capacity**

09 = .75 ton  
12 = 1.0 ton  
18 = 1.5 ton  
24 = 2 ton  
30 = 2.5 ton  
36 = 3 ton  
42 = 3.5 ton

**Digit 10 – Major Development Change**

A = First Major Development Change

**Digit 11 – Electric Power Supply**

**Characteristics**

1 = 200/208-230V/1PH/60HZ  
9 = 115V/1PH/60HZ

**Digit 12 – Refrigerant Ports**

1 = 1 Port  
2 = 2 Ports  
3 = 3 Ports  
4 = 4 Ports  
5 = 5 Ports

**Digit 13 – Regional Markets Served**

N = North America Market

**Digit 14 – Minor Design Change**

A = First Minor Design Change

**Digit 15 – Service Digit**

A = First Service Digit

All orderable Service Parts are identified for this product.

Parts that are not identified, will not be available to order.

This is a typical illustration. The unit in the field may not appear exactly as shown.

