

Parts List Number :0000099738

Model Number :M4THS2209A91NBA

Part No.	Reference No.	Quantity	Description
0000100126~S	*		COMPRESSOR, COILS & VALVES
0000100128~S	*		CONTROLS
0000100129~S	*		FAN & PANELS
0000100131~S	*		MODEL NUMBER DESCRIPTION

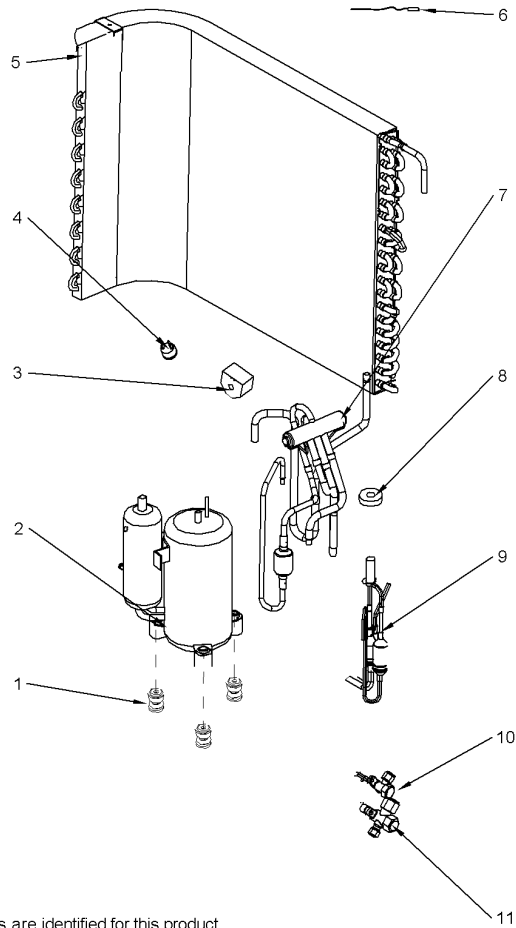
Part No.	Reference No.	Quantity	Description
000009206~P	*		COMPRESSOR, COIL & VALVES PARTS LIST

CONDENSER, COMPRESSOR & VALVES

75011951

REV.
A

.75 TON OUTDOOR
TYPICAL ILLUSTRATION



All orderable Service Parts are identified for this product.

Parts that are not identified, will not be available to order.

This is a typical illustration. The unit in the field may not appear exactly as shown.

Parts List Number :0000099738

Model Number :M4THS2209A91NBA

Part No.	Reference No.	Quantity	Description
GKT04834	1	3	GASKET; COMPRESSOR
COM12077	2	1	COMPRESSOR;
COL25828	3	1	COIL; SOLENOID
OLD00725	4	1	OVERLOAD; COMPRESSOR, PROTECTOR, EXTERNAL
COL25826	5	1	COIL; CONDENSER
SEN02043	6	1	SENSOR; TEMPERATURE
VAL12191	7	1	VALVE; 4 WAY, (STRAINER AND TUBING) BLACK
FTG01158	8	1	FITTING; ELECTRIC EXPAND VALVE FITTING, (STEPPER MOTOR)
VAL12194	9	1	VALVE; EEV, STRAINER AND PIPING
VAL10015	10	1	VALVE; 3/8 VAPOR
VAL12193	11	1	VALVE; 1/4 LIQUID

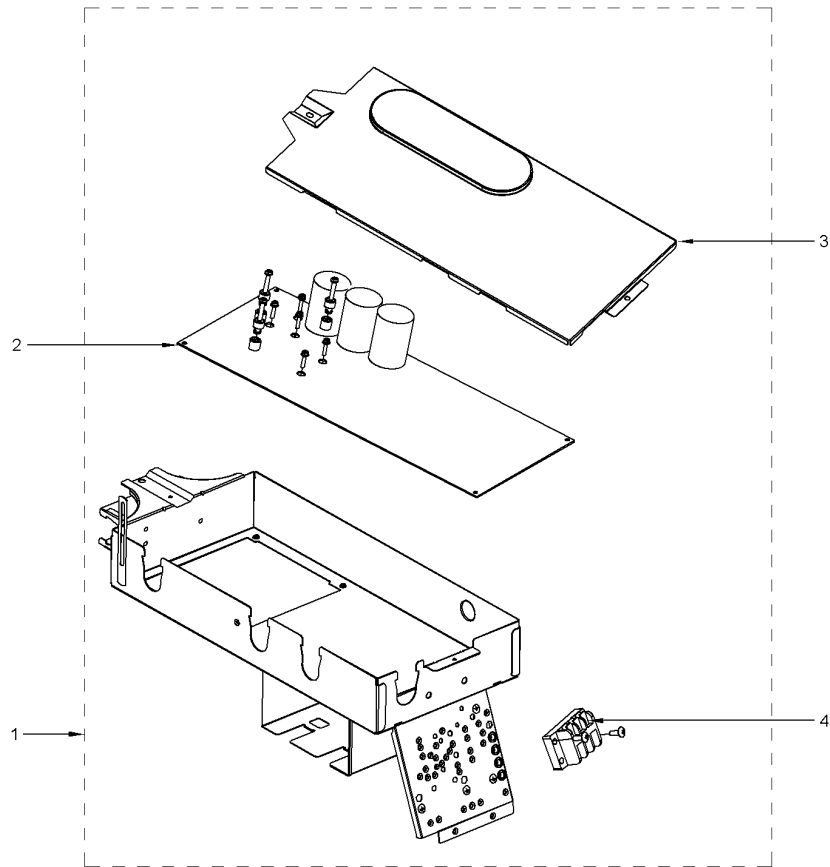
Part No.	Reference No.	Quantity	Description
000009231~P	*		CONTROLS PARTS LIST

ELECTRICAL BOX ASSEMBLY

75011949

REV.
A

.75 TON OUTDOOR
TYPICAL ILLUSTRATION



All orderable Service Parts are identified for this product.

Parts that are not identified, will not be available to order.

This is a typical illustration. The unit in the field may not appear exactly as shown.

Part No.	Reference No.	Quantity	Description
BOX02879	1	1	BOX; ELECTRICAL
BRD05464	2	1	BOARD; MAIN
COV04851	3	1	COVER; ELECTRIC BOX SUB-ASSY
BRD04349	4	1	BOARD; TERMINAL

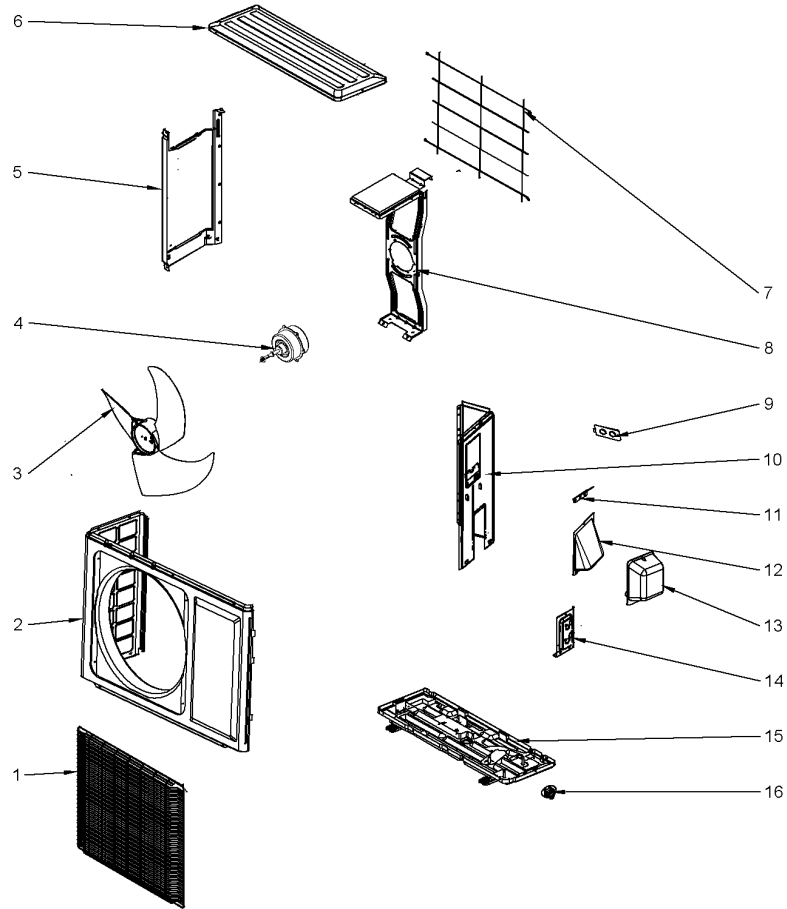
Part No.	Reference No.	Quantity	Description
000009213~P	*		FAN & PANELS PARTS LIST

PANELS AND FAN SECTION

75011950

REV.
A

.75 TON OUTDOOR
TYPICAL ILLUSTRATION



All orderable Service Parts are identified for this product.

Parts that are not identified, will not be available to order.

This is a typical illustration. The unit in the field may not appear exactly as shown.

Part No.	Reference No.	Quantity	Description
PAI00420	*	1	PAINT; CUSTOM PAINT MATCH FOR MINI SPLIT
GRL01837	1	1	GRILL; FRONT
PNL33380	2	1	PANEL; FRONT
FAN04663	3	1	FAN; AXIAL FLOW
MOT17275	4	1	MOTOR; FAN
PNL33377	5	1	PANEL;
PNL34637	6	1	PANEL; TOP COVER PLATE
GRL02026	7	1	GRILL; REAR
SUP05536	8	1	SUPPORT; MOTOR, SUB-ASSEMBLY
COV05060	9	1	COVER; REAR PORT
PNL34638	10	1	PANEL; RIGHT SIDE PLATE ASSY
PLT05368	11	1	PLATE; CABLE SUPPORT 1
PLT05369	12	1	PLATE; TERMINAL COVER 2
COV05063	13	1	COVER; VALVE
SUP06052	14	1	SUPPORT; VALVE
BAS02791	15	1	BASE; PAN
FTG01288	16	1	FITTING; DRAINAGE JOINT

Part No.	Reference No.	Quantity	Description
000009256~P	*		MODEL NUMBER GRAPHIC

MODEL NUMBER DESCRIPTION DUCTLESS SYSTEMS	75013584	<div style="border: 1px solid black; width: 20px; height: 20px; margin: 0 auto; display: flex; align-items: center; justify-content: center;"> <small>REV</small> B </div>
<p><i>Example Model Number:</i> M4THS1812A11NAA <small>1 - - - - 5 - - - - - 10 - - - - 15</small></p>		
<p>Digit 1 – Brand Name M = Ameristar / RunTru</p> <p>Digit 2 – Refrigerant Type 4 = R410a</p> <p>Digit 3 – Unit Type M = Indoor T = Outdoor</p> <p>Digit 4 – Functional Type C = Cooling Only H = Heat Pump L = Low Ambient</p> <p>Digit 5 – Unit Configuration M = Multi Port S = Single Port W= High Wall</p> <p>Digit 6, 7 – Efficiency Tier (SEER) 15 = 15 SEER 18 = 18 SEER 22 = 22 SEER 24 = 24 SEER</p> <p>Digit 8, 9 – Nominal Capacity 09 = .75 ton 12 = 1.0 ton 18 = 1.5 ton 24 = 2 ton 30 = 2.5 ton 36 = 3 ton 42 = 3.5 ton</p> <p>Digit 10 – Major Development Change A = First Major Development Change</p> <p>Digit 11 – Electric Power Supply Characteristics 1 = 200/208-230V/1PH/60HZ 9 = 115V/1PH/60HZ</p>	<p>Digit 12 – Refrigerant Ports 1 = 1 Port 2 = 2 Ports 3 = 3 Ports 4 = 4 Ports 5 = 5 Ports</p> <p>Digit 13 – Regional Markets Served N = North America Market</p> <p>Digit 14 – Minor Design Change A = First Minor Design Change</p> <p>Digit 15 – Service Digit A = First Service Digit</p>	
<p>All orderable Service Parts are identified for this product. Parts that are not identified, will not be available to order. This is a typical illustration. The unit in the field may not appear exactly as shown.</p>		

