

| <b>Part No.</b> | <b>Reference No.</b> | <b>Quantity</b> | <b>Description</b>       |
|-----------------|----------------------|-----------------|--------------------------|
| 0000100124~S    | *                    |                 | COIL, FAN & PANELS       |
| 0000100127~S    | *                    |                 | COMPRESSOR & VALVES      |
| 0000100128~S    | *                    |                 | CONTROLS                 |
| 0000100131~S    | *                    |                 | MODEL NUMBER DESCRIPTION |

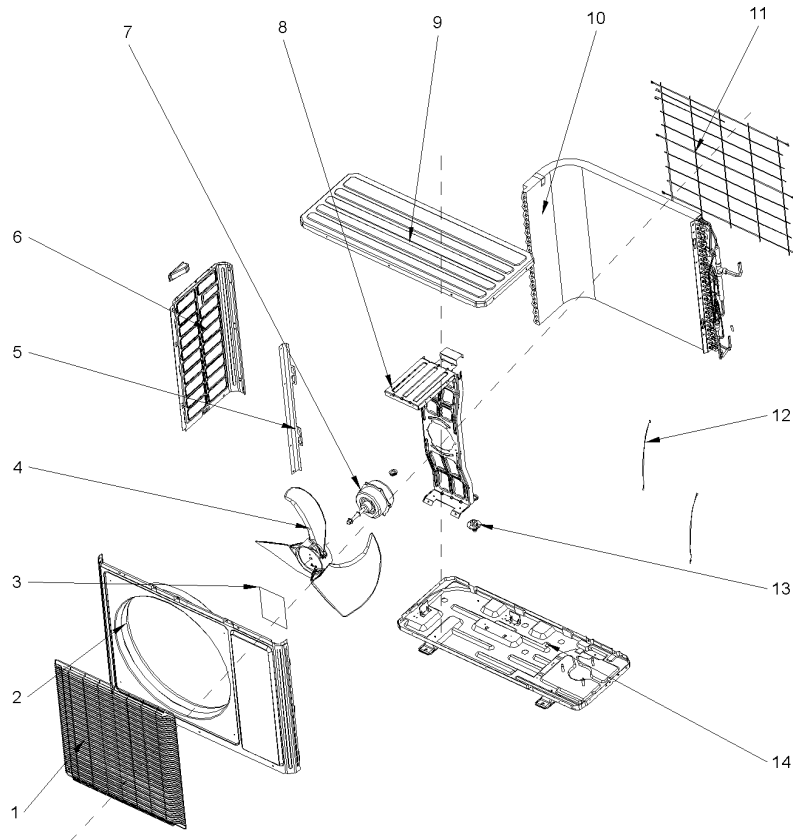
| Part No.    | Reference No. | Quantity | Description                   |
|-------------|---------------|----------|-------------------------------|
| 000009224~P | *             |          | COIL, FAN & PANELS PARTS LIST |

GENERAL ASSEMBLY

75012030

REV.  
A

2.0 TON ASSY FAN & CONDENSER & PANEL PARTS



All orderable Service Parts are identified for this product.

Parts that are not identified, will not be available to order.

This is a typical illustration. The unit in the field may not appear exactly as shown.

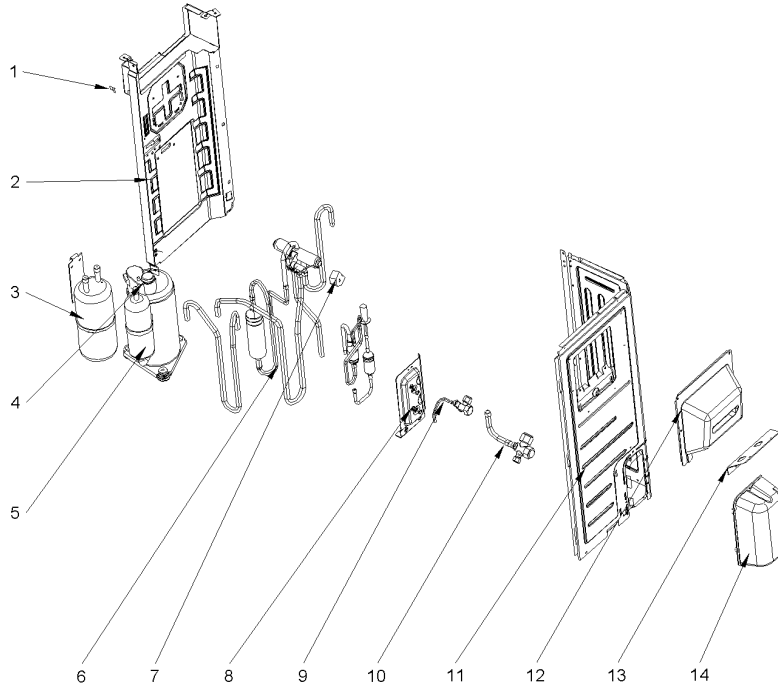
| Part No. | Reference No. | Quantity | Description  |
|----------|---------------|----------|--|
| PAI00420 | *             | 1        | PAINT; CUSTOM PAINT MATCH FOR MINI SPLIT   |
| GRL01689 | 1             | 1        | GRILLE; FRONT GRILL  |
| PNL32542 | 2             | 1        | PANEL; FRONT PANEL ASSY  |
| COV05101 | 3             | 1        | COVER;ELECTRIC BOX   |
| FAN04378 | 4             | 1        | FAN; AXIAL FLOW  |
| PNL29955 | 6             | 1        | PANEL; FRONT SIDE  |
| MOT14615 | 7             | 1        | MOTOR; BRUSHLESS DC FAN, 60W, 370V   |
| SUP05585 | 8             | 1        | SUPPORT; MOTOR SUPPORT SUB-ASSY  |
| COV05307 | 9             | 1        | COVER; TOP   |
| COL27459 | 10            | 1        | COIL; CONDENSER  |
| GRL01688 | 11            | 1        | GRILLE; REAR GRILL   |
| SEN01804 | 12            | 1        | SENSOR; TEMPERATURE (INCLUDES; DISCHARGE TUBE SENSOR (50K), COIL TUBE SENSOR (20K) AND OUTDOOR AMBIENT SENSOR (15K)) |
| FTG01288 | 13            | 1        | FITTING; DRAINAGE JOINT  |
| BAS02829 | 14            | 1        | BASE; PAN  |

| Part No.    | Reference No. | Quantity | Description                    |
|-------------|---------------|----------|--------------------------------|
| 000009226~P | *             |          | COMPRESSOR & VALVES PARTS LIST |

GENERAL ASSEMBLY  
2.0 TON ASSY COMPRESSOR & VALVE PARTS

75012031

REV  
B



All orderable Service Parts are identified for this product.

Parts that are not identified, will not be available to order.

This is a typical illustration. The unit in the field may not appear exactly as shown.

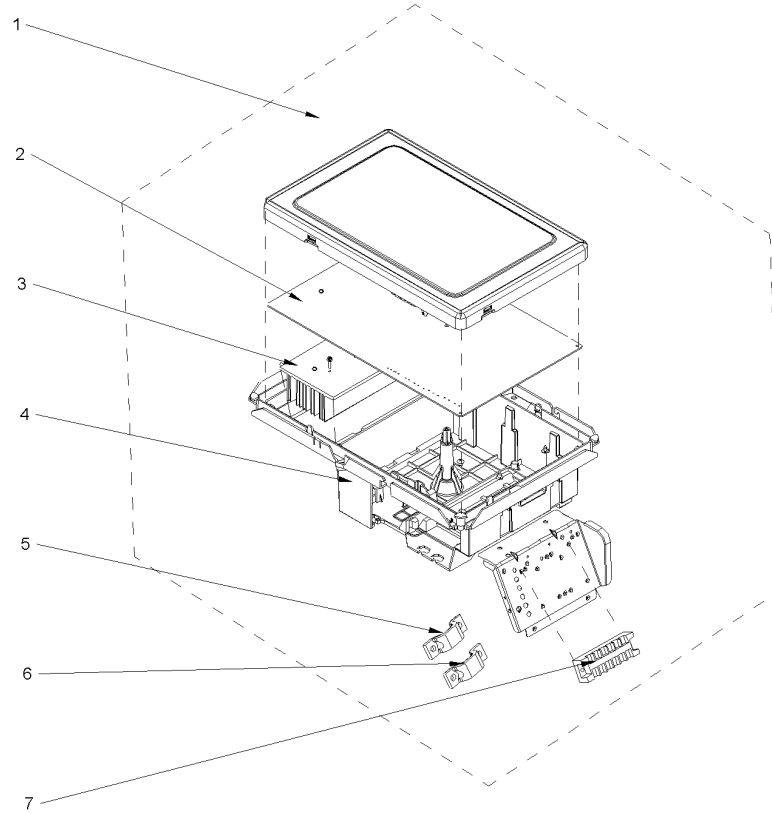
| <b>Part No.</b> | <b>Reference No.</b> | <b>Quantity</b> | <b>Description</b>                            |
|-----------------|----------------------|-----------------|---|
| CMP01443        | 1                    | 1               | CLAMP; WIRING                                 |
| PNL33722        | 2                    | 1               | PANEL; CONTROL BOX /AIR FLOW SEPARATOR        |
| SEP00268        | 3                    | 1               | SEPERATOR; GAS-LIQUID                         |
| OLD00725        | 4                    | 1               | OVERLOAD; COMPRESSOR, PROTECTOR, EXTERNAL     |
| COM11893        | 5                    | 1               | COMPRESSOR; AND FITTINGS                      |
| VAL12324        | 6                    | 1               | VALVE; 4 WAY VALVE ASSEMBLY (INCLUDES TUBING) |
| COL16754        | 7                    | 1               | COIL; SOLNOID REVERSING VALVE                 |
| SUP06102        | 8                    | 1               | SUPPORT; 4 WAY VALVE ASSEMBLY                 |
| VAL09362        | 9                    | 1               | VALVE; CUT-OFF LIQUID                         |
| VAL09900        | 10                   | 1               | VALVE; CUT-OFF (GAS)                          |
| PLT05940        | 11                   | 1               | PLATE; RIGHT SIDE                             |
| HDL01100        | 12                   | 1               | HANDLE; HANDLE ASSY( 02113109)                |
| BLK01462        | 13                   | 1               | BLOCK;  |
| COV04872        | 14                   | 1               | COVER; VALVE COVER                            |

| Part No.    | Reference No. | Quantity | Description         |
|-------------|---------------|----------|---------------------|
| 000009210~P | *             |          | CONTROLS PARTS LIST |

CONTROL ASSEMBLY  
2.0 TON ASSY CONTROL PARTS

75012032

REV.  
A



All orderable Service Parts are identified for this product.  
Parts that are not identified, will not be available to order.  
This is a typical illustration. The unit in the field may not appear exactly as shown.

| <b>Part No.</b> | <b>Reference No.</b> | <b>Quantity</b> | <b>Description</b>                     |
|-----------------|----------------------|-----------------|--|
| BOX02959        | 1                    | 1               | BOX; MAIN PCB BOARD (CONTROL ASSEMBLY) |
| BRD05900        | 2                    | 1               | BOARD; MAIN                            |
| EXC02410        | 3                    | 1               | EXCHANGER; HEAT SINK                   |
| BOX02922        | 4                    | 1               | BOX; ELECTRICAL                        |
| CMP01451        | 5                    | 1               | CLAMP; WIRE                            |
| CMP01444        | 6                    | 1               | CLAMP; WIRE                            |
| BRD03384        | 7                    | 1               | BOARD; TERMINAL                        |

| Part No.    | Reference No. | Quantity | Description          |
|-------------|---------------|----------|----------------------|
| 000009256~P | *             |          | MODEL NUMBER GRAPHIC |

MODEL NUMBER DESCRIPTION  
DUCTLESS SYSTEMS

75013584

REV  
B

*Example Model Number:*  
**M4THS1812A11NAA**  
1 - - - 5 - - - - 10 - - - - 15

**Digit 1 – Brand Name**

M = Ameristar / RunTru

**Digit 2 – Refrigerant Type**

4 = R410a

**Digit 3 – Unit Type**

M = Indoor  
T = Outdoor

**Digit 4 – Functional Type**

C = Cooling Only  
H = Heat Pump  
L = Low Ambient

**Digit 5 – Unit Configuration**

M = Multi Port  
S = Single Port  
W = High Wall

**Digit 6, 7 – Efficiency Tier (SEER)**

15 = 15 SEER  
18 = 18 SEER  
22 = 22 SEER  
24 = 24 SEER

**Digit 8, 9 – Nominal Capacity**

09 = .75 ton  
12 = 1.0 ton  
18 = 1.5 ton  
24 = 2 ton  
30 = 2.5 ton  
36 = 3 ton  
42 = 3.5 ton

**Digit 10 – Major Development Change**

A = First Major Development Change

**Digit 11 – Electric Power Supply**

**Characteristics**

1 = 200/208-230V/1PH/60HZ  
9 = 115V/1PH/60HZ

**Digit 12 – Refrigerant Ports**

1 = 1 Port  
2 = 2 Ports  
3 = 3 Ports  
4 = 4 Ports  
5 = 5 Ports

**Digit 13 – Regional Markets Served**

N = North America Market

**Digit 14 – Minor Design Change**

A = First Minor Design Change

**Digit 15 – Service Digit**

A = First Service Digit

All orderable Service Parts are identified for this product.

Parts that are not identified, will not be available to order.

This is a typical illustration. The unit in the field may not appear exactly as shown.

