

Part No.	Reference No.	Quantity	Description
M4MUP1_M4MUP1_191085~P	*		15 SEER MINI SPLIT LOMO UNITS PARTS LIST
75012029#M4MUP1~S	*		ASSY CONTROL PARTS
75012028#M4MUP1~S	*		ASSY GENERAL PARTS
75011981#M4MUP1~S	*		MODEL NUMBER DESCRIPTION

NO GRAPHIC AVAILABLE

75013702

REV
A

**NO
GRAPHIC
AVAILABLE**

MODEL NUMBER DESCRIPTION 75011981
15 SEER LOMO OUTDOOR DUCTLESS SINGLE PORT

REV.
A

Example Model Number:
M4THS1512A11NAA
1 - - - - 5 - - - - - 10 - - - - - 15

Digit 1 – Brand Name
M = Ameristar

Digit 2 – Refrigerant Type
4 = R410a

Digit 3 – Unit Type
T = Outdoor

Digit 4 – Functional Type
H = Heat Pump
C = Cooling Only

Digit 5 – Unit Configuration
S = Single Port

Digit 6, 7 – Efficiency Tier (SEER)
15 = 15 SEER

Digit 8, 9 – Nominal Capacity
09 = .75 ton
12 = 1.0 ton
18 = 1.5 ton
24 = 2 ton

Digit 10 – Major Development Change
A = First Major Development Change

Digit 11 – Electric Power Supply Characteristics
1 = 200-230V/1PH/60HZ

Digit 12 – Refrigerant Ports
1 = 1 Port

Digit 13 – Regional Markets Served
N = North America Market

Digit 14 – Minor Design Change
A = First Minor Design Change

Digit 15 – Service Digit
A = First Service Digit

Part No.	Reference No.	Quantity	Description
75011981_M4MUP1_191086~P	*		MODEL NUMBER DESCRIPTION PARTS LIST

MODEL NUMBER DESCRIPTION 75011981
15 SEER LOMO OUTDOOR DUCTLESS SINGLE PORT

REV.
A

Example Model Number:
M4THS1512A11NAA
1 - - - - 5 - - - - - 10 - - - - - 15

Digit 1 – Brand Name

M = Ameristar

Digit 2 – Refrigerant Type

4 = R410a

Digit 3 – Unit Type

T = Outdoor

Digit 4 – Functional Type

H = Heat Pump
C = Cooling Only

Digit 5 – Unit Configuration

S = Single Port

Digit 6, 7 – Efficiency Tier (SEER)

15 = 15 SEER

Digit 8, 9 – Nominal Capacity

09 = .75 ton
12 = 1.0 ton
18 = 1.5 ton
24 = 2 ton

Digit 10 – Major Development Change

A = First Major Development Change

Digit 11 – Electric Power Supply Characteristics

1 = 200-230V/1PH/60HZ

Digit 12 – Refrigerant Ports

1 = 1 Port

Digit 13 – Regional Markets Served

N = North America Market

Digit 14 – Minor Design Change

A = First Minor Design Change

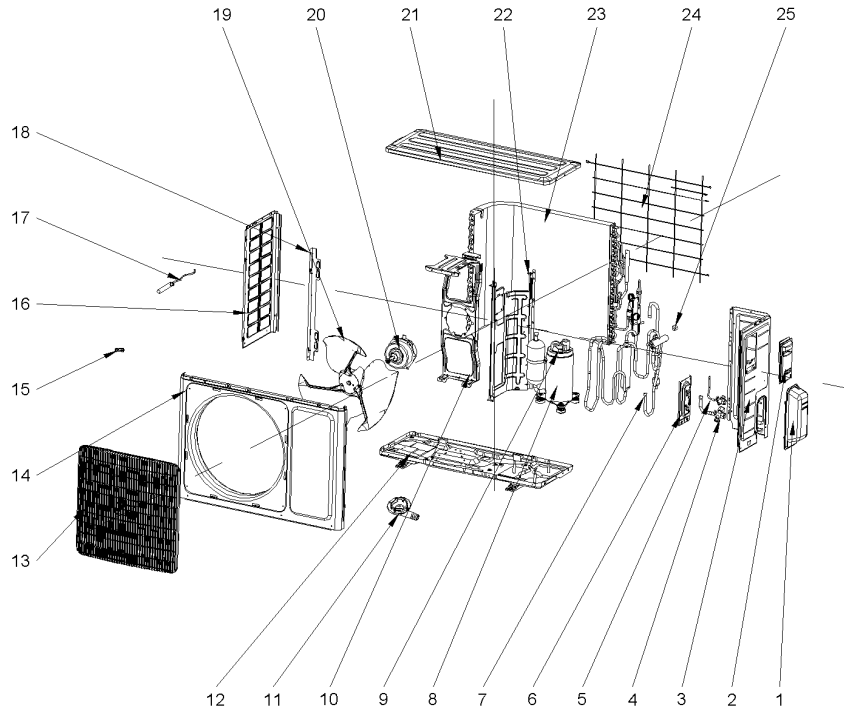
Digit 15 – Service Digit

A = First Service Digit

GENERAL ASSEMBLY
1.5 TON ASSY GENERAL PARTS

75012028

REV
B



All orderable Service Parts are identified for this product.

Parts that are not identified, will not be available to order.

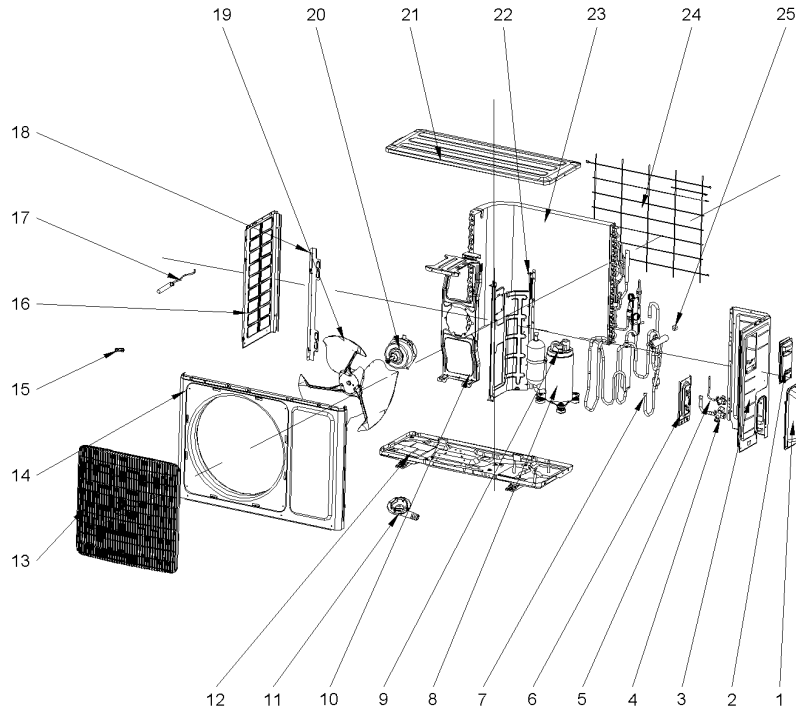
This is a typical illustration. The unit in the field may not appear exactly as shown.

Part No.	Reference No.	Quantity	Description
75012028_M4MUP1_191087~P	*		ASSY GENERAL PARTS

GENERAL ASSEMBLY
1.5 TON ASSY GENERAL PARTS

75012028

REV
B



All orderable Service Parts are identified for this product.

Parts that are not identified, will not be available to order.

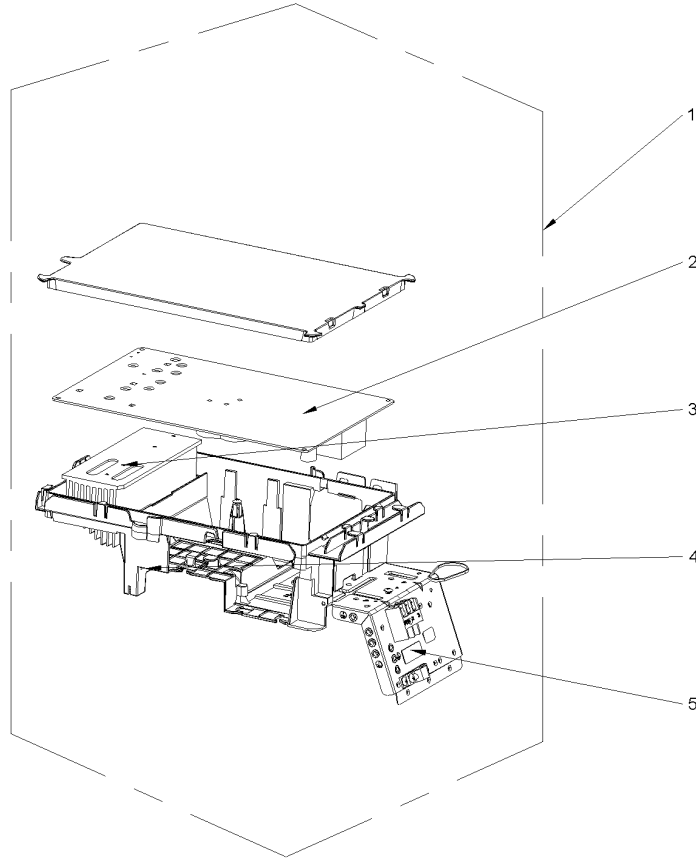
This is a typical illustration. The unit in the field may not appear exactly as shown.

Part No.	Reference No.	Quantity	Description
PAI00420	*	1	PAINT; CUSTOM PAINT MATCH FOR MINI SPLIT
COV04872	1	1	COVER; VALVE COVER
HDL01293	2	1	HANDLE;
PLT05940	3	1	PLATE; RIGHT SIDE
VAL12322	4	1	VALVE; CUT-OFF
VAL09985	5	1	VALVE; CUT-OFF VALVE SUB-ASSY
SUP05280	6	1	SUPPORT; VALVE SUPPORT ASSY
VAL12319	7	1	VALVE; 4 WAY VALVE ASSEMBLY (INCLUDES TUBING)
COM11893	8	1	COMPRESSOR; AND FITTINGS
OLD00725	9	1	OVERLOAD; COMPRESSOR, PROTECTOR, EXTERNAL
SUP06141	10	1	SUPPORT; MOTOR
FTG01288	11	1	FITTING; DRAINAGE JOINT
BAS02823	12	1	BASE; PAN
GRL01689	13	1	GRILLE; FRONT GRILL
PNL32542	14	1	PANEL; FRONT PANEL ASSY
CMP01443	15	1	CLAMP; WIRING
PNL29955	16	1	PANEL; FRONT SIDE
SEN01804	17	1	SENSOR; TEMPERATURE (INCLUDES; DISCHARGE TUBE SENSOR (50K), COIL TUBE SENSOR (20K) AND OUTDOOR AMBIENT SENSOR (15K))
SUP06139	18	1	SUPPORT; COIL PLATE
FAN04378	19	1	FAN; AXIAL FLOW
MOT14615	20	1	MOTOR; BRUSHLESS DC FAN, 60W, 370V
COV05307	21	1	COVER; TOP
PNL31756	22	1	PANEL; CLAPBOARD ASSY
COL27457	23	1	COIL; CONDENSER
GRL01688	24	1	GRILLE; REAR GRILL
COL16754	25	1	COIL; SOLNOID REVERSING VALVE

CONTROL ASSEMBLY
1.5 TON ASSY CONTROL PARTS

75012029

REV.
A



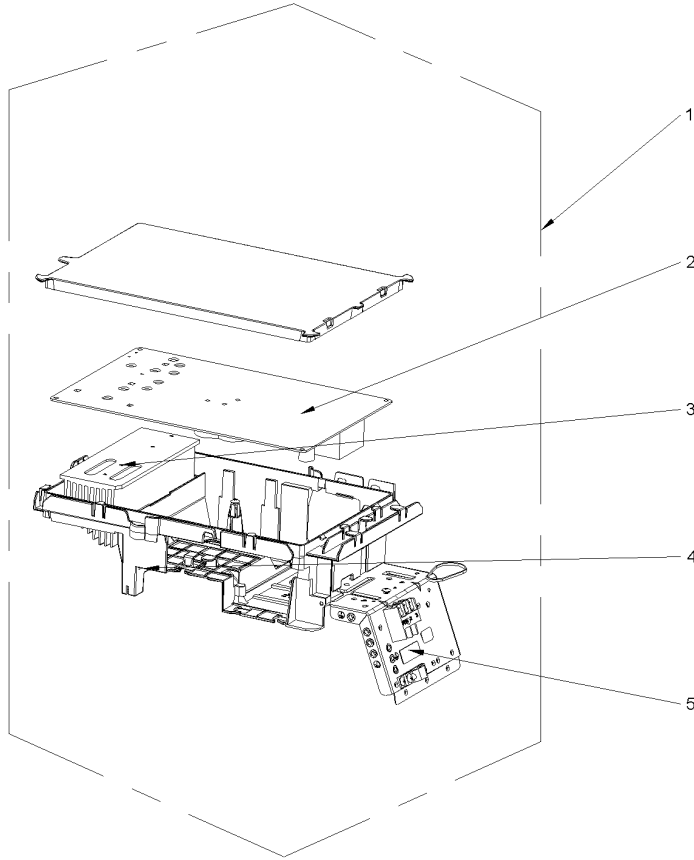
All orderable Service Parts are identified for this product.
Parts that are not identified, will not be available to order.
This is a typical illustration. The unit in the field may not appear exactly as shown.

Part No.	Reference No.	Quantity	Description
75012029_M4MUP1_191088~P	*		ASSY CONTROL PARTS

CONTROL ASSEMBLY
1.5 TON ASSY CONTROL PARTS

75012029

REV.
A



All orderable Service Parts are identified for this product.

Parts that are not identified, will not be available to order.

This is a typical illustration. The unit in the field may not appear exactly as shown.

Part No.	Reference No.	Quantity	Description
BOX02934	1	1	BOX; ELECTRICAL ASSEMBLY
BRD05898	2	1	BOARD; MAIN
COL28026	3	1	COIL; RADIATOR
BOX02922	4	1	BOX; ELECTRICAL
BRD03384	5	1	BOARD; TERMINAL