

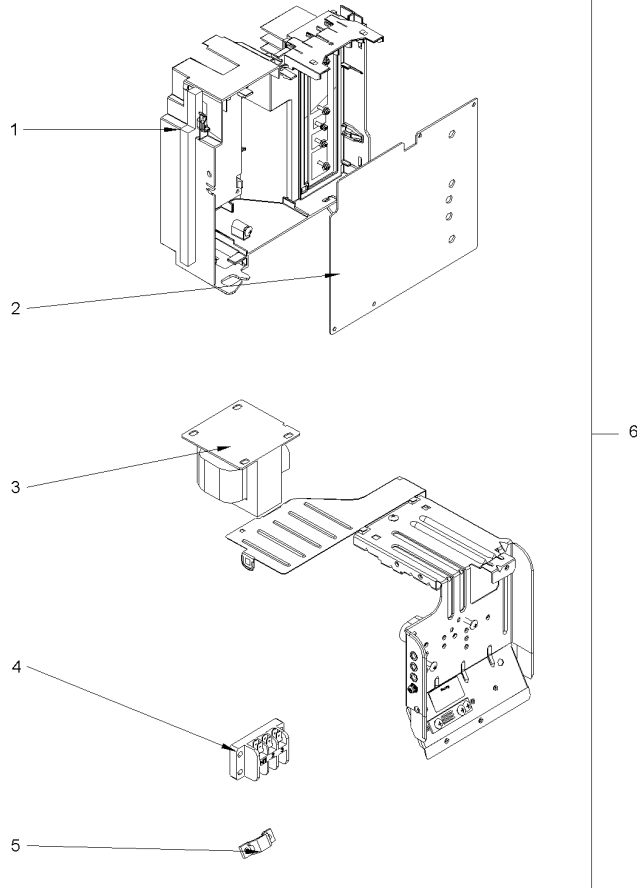
Part No.	Reference No.	Quantity	Description
0000100128~S	*		CONTROLS
0000100123~S	*		GENERAL ASSEMBLY
0000100131~S	*		MODEL NUMBER DESCRIPTION

Part No.	Reference No.	Quantity	Description
000009208~P	*		CONTROLS PARTS LIST

CONTROL ASSEMBLY
1.0 TON ASSY CONTROL PARTS

75012027

REV.
A



All orderable Service Parts are identified for this product.
Parts that are not identified, will not be available to order.
This is a typical illustration. The unit in the field may not appear exactly as shown.

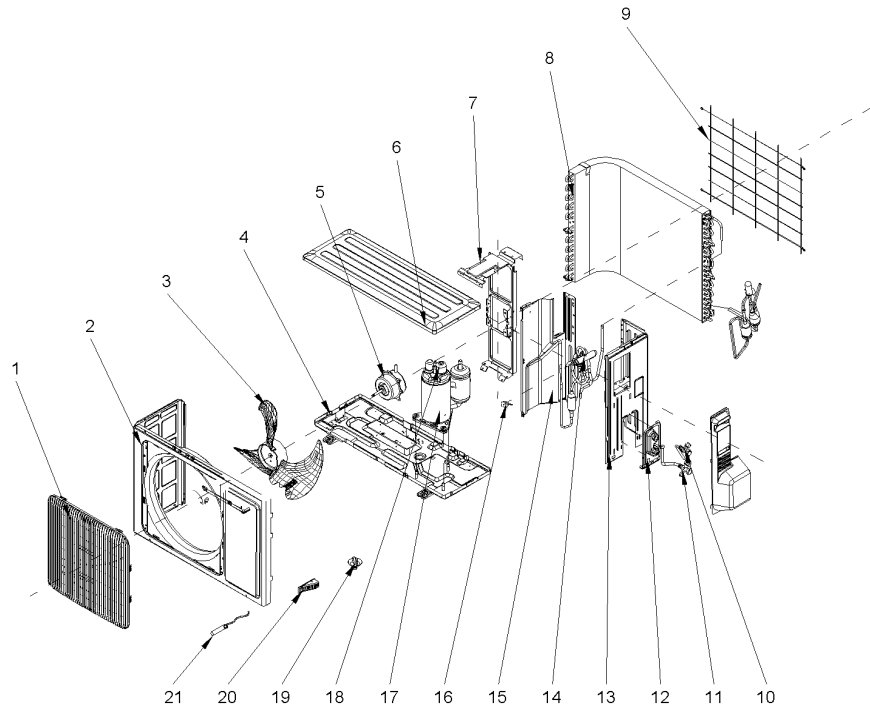
Part No.	Reference No.	Quantity	Description
CAS02098	1	1	CASING; ELECTRICAL BOX
BRD05903	2	1	BOARD; MAIN
TRR02657	3	1	TRANSFORMER; REACTOR
BRD04349	4	1	BOARD; TERMINAL
CMP01444	5	2	CLAMP; WIRE
BOX02958	6	1	BOX; ELECTRICAL ASSEMBLY

Part No.	Reference No.	Quantity	Description
000009219~P	*		GENERAL ASSEMBLY PARTS LIST

GENERAL ASSEMBLY
1.0 TON ASSY GENERAL PARTS

75012026

REV
B



All orderable Service Parts are identified for this product.

Parts that are not identified, will not be available to order.

This is a typical illustration. The unit in the field may not appear exactly as shown.

Part No.	Reference No.	Quantity	Description
PAI00420	*	1	PAINT; CUSTOM PAINT MATCH FOR MINI SPLIT
GRL01837	1	1	GRILL; FRONT
PNL33563	2	1	PANEL; FRONT ASSEMBLY
FAN05603	3	1	FAN; ASSEMBLY
BAS02822	4	1	BASE; PAN
MOT17355	5	1	MOTOR; FAN
COV05098	6	1	COVER; TOP ASSEMBLY
SUP06146	7	1	SUPPORT; MOTOR
COL27458	8	1	COIL; CONDENSER
GRL02046	9	1	GRILL; REAR
VAL12321	10	1	VALVE; CUT-OFF
VAL09988	11	1	VALVE; CUT-OFF VALVE
SUP06101	12	1	SUPPORT; 4 WAY VALVE ASSEMBLY
PLT05866	13	1	PLATE; RIGHT SIDE
VAL12382	14	1	VALVE; 4 WAY VALVE ASSEMBLY (INCLUDES TUBING)
PNL33516	15	1	PANEL; CONTROL BOX /AIR FLOW SEPARATOR
COL26129	16	1	COIL; MAGNET
COM12104	17	1	COMPRESSOR;
RLY03775	18	1	RELAY; COMPRESSOR OVERLOAD PROTECTOR
FTG01288	19	1	FITTING; DRAINAGE JOINT
HLD00673	20	1	HANDLE; FRONT PANEL
RES01134	21	1	RESISTOR; TEMPERATURE SENSOR, CONTAINS ALL THREE THERMISTORS.

Part No.	Reference No.	Quantity	Description
000009256~P	*		MODEL NUMBER GRAPHIC

MODEL NUMBER DESCRIPTION
DUCTLESS SYSTEMS

75013584

REV
B

Example Model Number:
M4THS1812A11NAA
1 - - - 5 - - - - 10 - - - - 15

Digit 1 – Brand Name

M = Ameristar / RunTru

Digit 2 – Refrigerant Type

4 = R410a

Digit 3 – Unit Type

M = Indoor
T = Outdoor

Digit 4 – Functional Type

C = Cooling Only
H = Heat Pump
L = Low Ambient

Digit 5 – Unit Configuration

M = Multi Port
S = Single Port
W = High Wall

Digit 6, 7 – Efficiency Tier (SEER)

15 = 15 SEER
18 = 18 SEER
22 = 22 SEER
24 = 24 SEER

Digit 8, 9 – Nominal Capacity

09 = .75 ton
12 = 1.0 ton
18 = 1.5 ton
24 = 2 ton
30 = 2.5 ton
36 = 3 ton
42 = 3.5 ton

Digit 10 – Major Development Change

A = First Major Development Change

Digit 11 – Electric Power Supply

Characteristics

1 = 200/208-230V/1PH/60HZ
9 = 115V/1PH/60HZ

Digit 12 – Refrigerant Ports

1 = 1 Port
2 = 2 Ports
3 = 3 Ports
4 = 4 Ports
5 = 5 Ports

Digit 13 – Regional Markets Served

N = North America Market

Digit 14 – Minor Design Change

A = First Minor Design Change

Digit 15 – Service Digit

A = First Service Digit

All orderable Service Parts are identified for this product.

Parts that are not identified, will not be available to order.

This is a typical illustration. The unit in the field may not appear exactly as shown.

