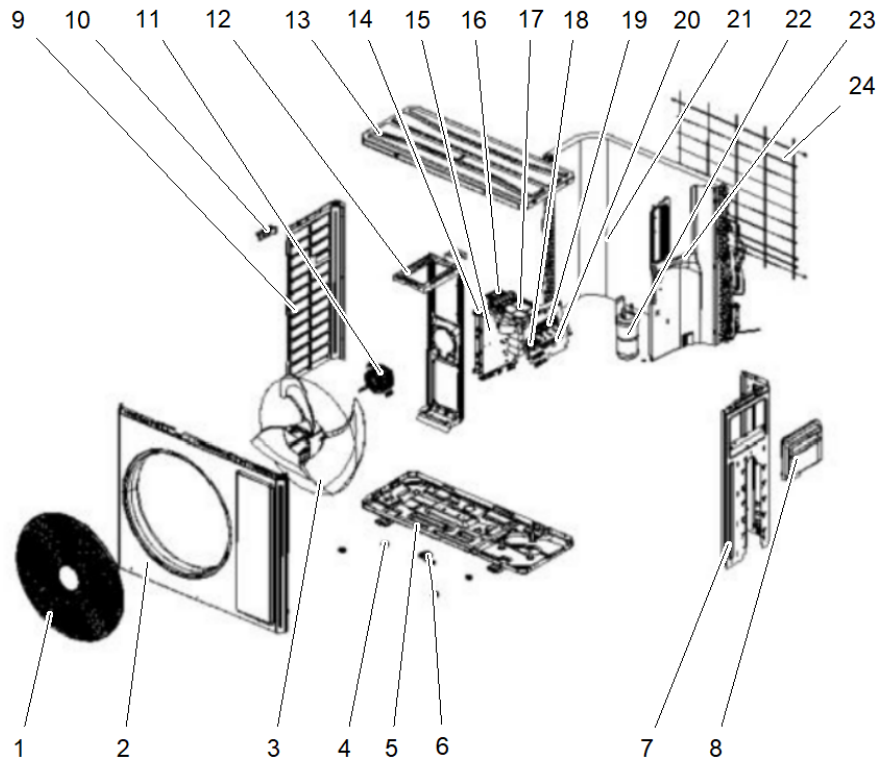


Parts List Number :0000208404

Model Number :M4THM1930A14NAA

Part No.	Reference No.	Quantity	Description
0000208408~S	*		Fan, Electric Heater & Panels Assembly
0000208409~S	*		Model Number Description
0000208407~S	*		Refrigeration & Miscellaneous Parts Assembly
0000208414~S	*		Top-level Assembly View

Part No.	Reference No.	Quantity	Description
000054187~P	*		Fan, Electric Heater & Panels Assembly



All orderable Service Parts are identified for this product.

Parts that are not identified, will not be available to order.

This is a typical illustration. The unit in the field may not appear exactly as shown.

Part No.	Reference No.	Quantity	Description
GRL02414	1	1	GRILL; FRONT
CBT01969	2	1	CABINET;
FAN06858	3	1	FAN; AXIAL FLOW FAN
CAP01252	4	3	CAP; DRAINAGE HOLE
FRM02692	5	1	FRAME; CHASSIS SUB-ASSY
TUB15356	6	1	TUBE; CONNECTOR (DRAIN)
PLT07544	7	1	PLATE; RIGHT SIDE
HDL01460	8	1	HANDLE;
PLT07542	9	1	PLATE; LEFT SIDE
HDL01341	10	1	HANDLE;
MOT21187	11	1	MOTOR; BRUSHLESS DC MOTOR
SUP07175	12	1	SUPPORT; MOTOR SUPPORT SUB-ASSY
COV06404	13	1	COVER; TOP
BOX04781	14	1	BOX; ELECTRIC BOX ASSY
EXC03314	15	1	EXCHANGER; RADIATOR
BRD08185	16	1	BOARD; MAIN BOARD
BRD08182	17	1	BOARD; FILTER BOARD
BRD07255	18	1	BOARD; TERMINAL (ELECTRICAL BOX)
BRD07256	19	4	BOARD; TERMINAL (ELECTRICAL BOX)
CMP01444	20	1	CLAMP; WIRE
SEP00106	22	1	SEPARATOR; GAS-LIQUID SEPARATOR ASSY(07225017)
BRD08215	23	1	BOARD; CLAPBOARD
GRL02418	24	1	GRILL; REAR

Part No.	Reference No.	Quantity	Description
000054147~P	*		Model Number Description

MODEL NUMBER DESCRIPTION

75015882

REV
A

Example Model Number:
M4THM1918A12NAA
1 - - - 5 - - - - 10 - - - - 15

Digit 1 - Brand Name

M = Ameristar

Digit 2 – Refrigerant

2 = R22

4 = R410A

Digit 3 - Indoor/Outdoor

T = Outdoor

Digit 4 – Unit Type

H = Heat Pump

Digit 5 – System Type

M = Multi Part

Digits 6-7 – Efficiency Tier (SEER)

19 = 19 SEER

Digits 8-9 – Nominal Capacity

18 = 1.5 Ton

24 = 2.0 Ton

30 = 2.5 Ton

36 = 3.0 Ton

42 = 3.5 Ton

Digit 10 – Major Development Sequence

Alphabet Letter "A" through "Z"

Digit 11 – Electric Power Supply Characteristics

1 = 200-230V/1PH/60HZ or 208-230V/1PH/60HZ

Digit 12 – Refrigerant Ports

2 = 2 Ports

3 = 3 Ports

4 = 4 Ports

5 = 5 Ports

Digit 13 – Region of Sale

N = North American Market

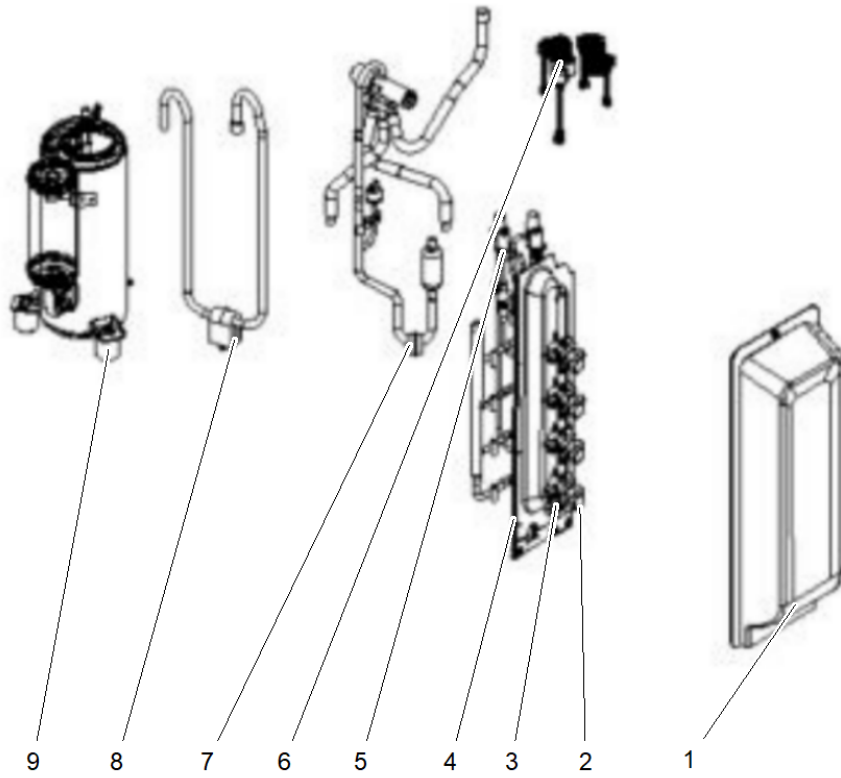
Digit 14,15 – Minor Design Sequence - Design Change

Alphabet Letter "A" through "Z"

Parts List Number :0000208404

Model Number :M4THM1930A14NAA

Part No.	Reference No.	Quantity	Description
0000054207~P	*		Refrigeration & Miscellaneous Parts Assembly



All orderable Service Parts are identified for this product.

Parts that are not identified, will not be available to order.

This is a typical illustration. The unit in the field may not appear exactly as shown.

Part No.	Reference No.	Quantity	Description
COV06409	1	1	COVER; VALVE
VAL09362	2	1	VALVE; CUT-OFF LIQUID
VAL09988	3	1	VALVE; CUT-OFF VALVE
SUP07202	4	1	SUPPORT; VALVE SUPPORT SUB-ASSY
VAL21003	5	1	VALVE; ELECTRONIC EXPANSION VALVE ASSY
FTG01552	6	1	FITTING; ELECTRIC EXPAND VALVE FITTING
VAL20999	7	1	VALVE; 4-WAY VALVE ASSY
TUB16398	8	1	TUBE; INHALATION TUBE SUB-ASSY
COM14367	9	1	COMPRESSOR; PLUS FITTINGS

Part No.	Reference No.	Quantity	Description
000054173~P	*		Top-level Assembly View

