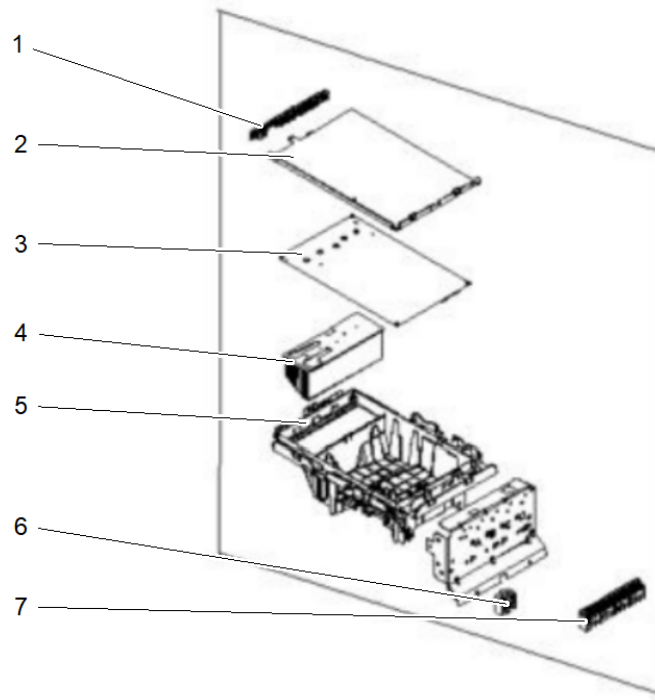


Parts List Number :0000208404

Model Number :M4THM1924A13NAA

Part No.	Reference No.	Quantity	Description
0000208406~S	*		Electric Box Assembly
0000208408~S	*		Fan, Electric Heater & Panels Assembly
0000208409~S	*		Model Number Description
0000208407~S	*		Refrigeration & Miscellaneous Parts Assembly
0000208414~S	*		Top-level Assembly View

Part No.	Reference No.	Quantity	Description
000054175~P	*		Electric Box Assembly



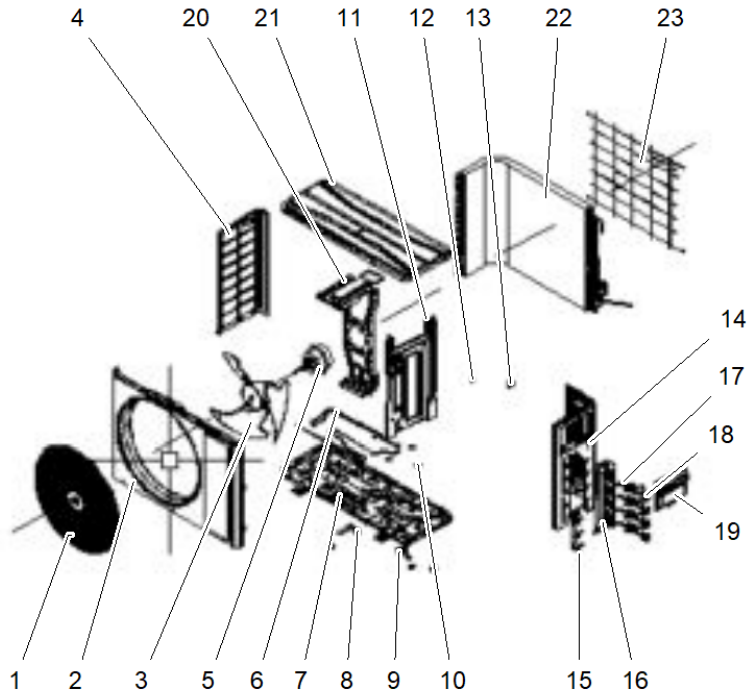
All orderable Service Parts are identified for this product.

Parts that are not identified, will not be available to order.

This is a typical illustration. The unit in the field may not appear exactly as shown.

Part No.	Reference No.	Quantity	Description
CMP01444	1	1	CLAMP; WIRE
COV06178	2	1	COVER; ELECTRIC BOX
BRD08184	3	1	BOARD; MAIN BOARD
EXC03313	4	1	EXCHANGER; RADIATOR
BOX04785	5	1	BOX; ELECTRIC BOX
SUP07205	6	1	SUPPORT; TERMIND BOARD SUB-ASSY
BRD07897	7	1	BOARD; TERMINAL
BRD07256	8	3	BOARD; TERMINAL (ELECTRICAL BOX)

Part No.	Reference No.	Quantity	Description
000054170~P	*		Fan, Electric Heater & Panels Assembly



All orderable Service Parts are identified for this product.

Parts that are not identified, will not be available to order.

This is a typical illustration. The unit in the field may not appear exactly as shown.

Part No.	Reference No.	Quantity	Description
GRL02415	1	1	GRILL; FRONT
PNL40287	2	1	PANEL; FRONT ASSY
FAN06585	3	1	FAN; AXIAL FLOW
PLT07293	4	1	PLATE; LEFT SIDE
MOT21186	5	1	MOTOR; BRUSHLESS DC MOTOR
HTR72266	6	1	HEATER; ELECTRICAL HEATER
FRM02691	7	1	FRAME; CHASSIS SUB-ASSY
CAP01252	8	4	CAP; DRAINAGE HOLE
TUB15356	9	1	TUBE; CONNECTOR (DRAIN)
BRD08216	11	1	BOARD; CLAPBOARD SUB-ASSY
IRT00060	12	7	INSERT; SENSOR
CMP01744	13	1	CLAMP; TEMPERATURE SENSOR
PNL40279	14	1	PLATE; RIGHT SIDE
PIP03626	15	1	PIPE; ATMOLYSIS PIPE SUB-ASSY
SUP07200	16	1	SUPPORT; VALVE SUPPORT SUB-ASSY
VAL20996	17	3	VALVE; CUT OFF VALVE SUB-ASSY 3/8
VAL20997	18	3	VALVE; CUT OFF VALVE SUB-ASSY(1/4)
HDL01461	19	1	HANDLE; ASSY
SUP06967	20	1	SUPPORT; MOTOR
CDS02789	22	1	CONDENSER; ASSY
GRL02417	23	1	GRILL; REAR

Part No.	Reference No.	Quantity	Description
000054147~P	*		Model Number Description

MODEL NUMBER DESCRIPTION

75015882

REV
A

Example Model Number:
M4THM1918A12NAA
1 - - - 5 - - - - 10 - - - - 15

Digit 1 - Brand Name

M = Ameristar

Digit 2 – Refrigerant

2 = R22
4 = R410A

Digit 3 - Indoor/Outdoor

T = Outdoor

Digit 4 – Unit Type

H = Heat Pump

Digit 5 – System Type

M = Multi Part

Digits 6-7 – Efficiency Tier (SEER)

19 = 19 SEER

Digits 8-9 – Nominal Capacity

18 = 1.5 Ton
24 = 2.0 Ton
30 = 2.5 Ton
36 = 3.0 Ton
42 = 3.5 Ton

Digit 10 – Major Development Sequence

Alphabet Letter "A" through "Z"

Digit 11 – Electric Power Supply Characteristics

1 = 200-230V/1PH/60HZ or 208-230V/1PH/60HZ

Digit 12 – Refrigerant Ports

2 = 2 Ports
3 = 3 Ports
4 = 4 Ports
5 = 5 Ports

Digit 13 – Region of Sale

N = North American Market

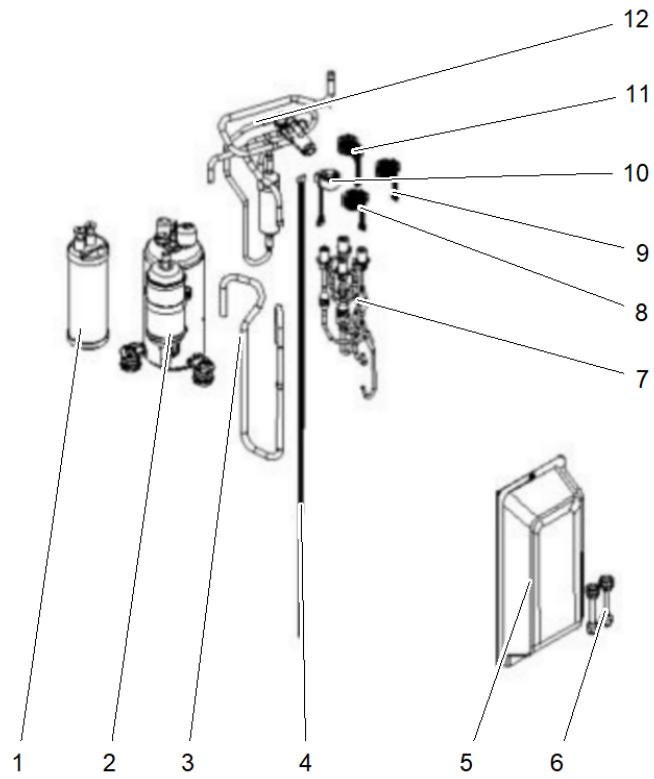
Digit 14,15 – Minor Design Sequence - Design Change

Alphabet Letter "A" through "Z"

Parts List Number :0000208404

Model Number :M4THM1924A13NAA

Part No.	Reference No.	Quantity	Description
0000054176~P	*		Refrigeration & Miscellaneous Parts Assembly



All orderable Service Parts are identified for this product.

Parts that are not identified, will not be available to order.

This is a typical illustration. The unit in the field may not appear exactly as shown.

Part No.	Reference No.	Quantity	Description
SEP00268	1	1	SEPERATOR; GAS-LIQUID
COM14351	2	1	COMPRESSOR; PLUS FITTINGS
TUB16397	3	1	TUBE; INHALATION TUBE SUB-ASSY
SEN01804	4	1	SENSOR; TEMPERATURE (INCLUDES; DISCHARGE TUBE SENSOR (50K), COIL TUBE SENSOR (20K) AND OUTDOOR AMBIENT SENSOR (15K))
COV06408	5	1	COVER; VALVE
VAL21001	7	1	VALVE; ELECTRONIC EXPANSION VALVE ASSY
FTG01554	8	1	FITTING; ELECTRIC EXPAND VALVE FITTING
FTG01557	9	1	FITTING; ELECTRIC EXPAND VALVE FITTING
FTG01556	10	1	FITTING; ELECTRIC EXPAND VALVE FITTING
VAL20995	12	1	VALVE; 4-WAY VALVE ASSY

Part No.	Reference No.	Quantity	Description
000054172~P	*		Top-level Assembly View

