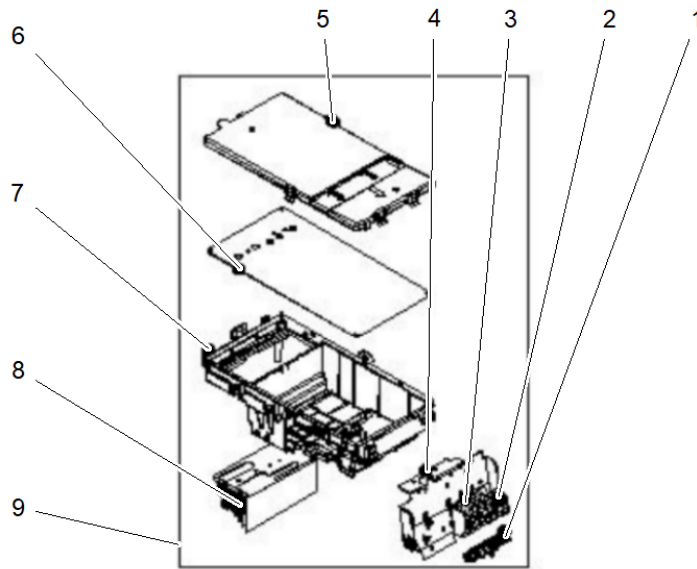


<b>Part No.</b>	<b>Reference No.</b>	<b>Quantity</b>	<b>Description</b>
0000208406~S	*		Electric Box Assembly
0000208405~S	*		Fan & Panels Assembly
0000208409~S	*		Model Number Description
0000208407~S	*		Refrigeration & Miscellaneous Parts Assembly
0000208414~S	*		Top-level Assembly View

Part No.	Reference No.	Quantity	Description
000054168~P	*		Electric Box Assembly



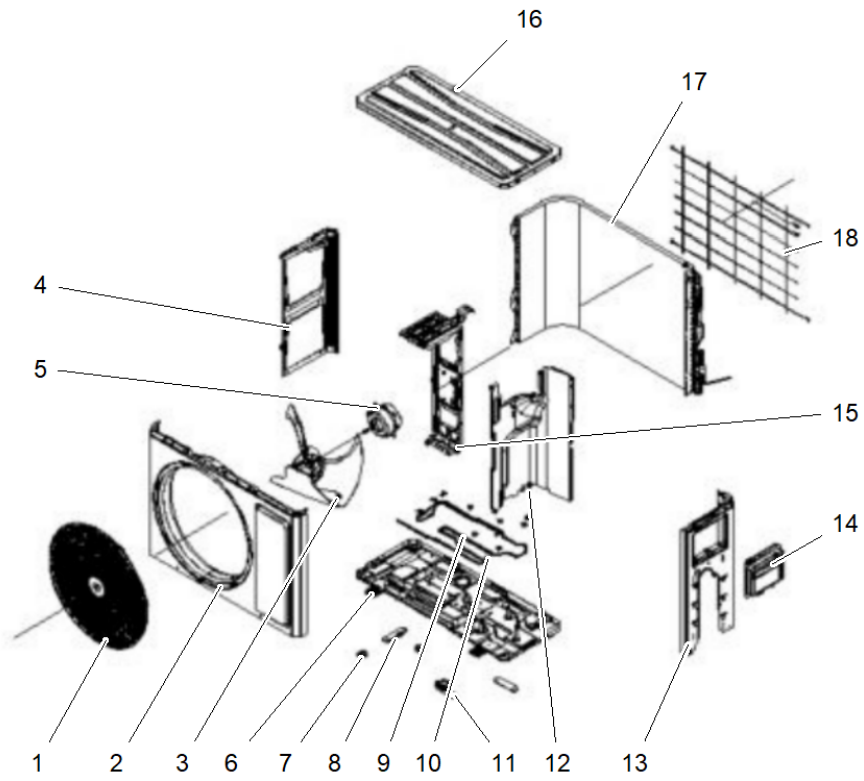
All orderable Service Parts are identified for this product.

Parts that are not identified, will not be available to order.

This is a typical illustration. The unit in the field may not appear exactly as shown.

<b>Part No.</b>	<b>Reference No.</b>	<b>Quantity</b>	<b>Description</b>
CMP01746	1	1	CLAMP; WIRE
BRD07256	2	1	BOARD; TERMINAL (ELECTRICAL BOX)
BRD07799	3	1	BOARD; TERMINAL
SUP07206	4	1	SUPPORT; TERMIND BOARD SUB-ASSY
COV06410	5	1	COVER; ELECTRIC BOX
BRD08183	6	1	BOARD; MAIN BOARD
BOX04784	7	1	BOX; ELECTRIC BOX
EXC03315	8	1	EXCHANGER; RADIATOR
BOX04780	9	1	BOX; ELECTRIC BOX ASSY

Part No.	Reference No.	Quantity	Description
000054148~P	*		Fan & Panels Assembly



All orderable Service Parts are identified for this product.

Parts that are not identified, will not be available to order.

This is a typical illustration. The unit in the field may not appear exactly as shown.

<b>Part No.</b>	<b>Reference No.</b>	<b>Quantity</b>	<b>Description</b>
GRL02413	1	1	GRILL; FRONT
CBT01968	2	1	CABINET;
FAN06584	3	1	FAN; AXIAL FLOW
PLT07541	4	1	PLATE; LEFT SIDE
MOT20618	5	1	MOTOR; BRUSHLESS DC
FRM02690	6	1	FRAME; CHASSIS SUB-ASSY
CAP01252	7	2	CAP; DRAINAGE HOLE
CAP01391	8	2	CAP; DRAINAGE HOLE
HTR72265	9	1	HEATER; ELECTRICAL HEATER (CHASSIS)
CMP01743	10	9	CLAMP;
TUB15356	11	1	TUBE; CONNECTOR (DRAIN)
BRD08214	12	1	BOARD; CLAPBOARD
PLT07543	13	1	PLATE; RIGHT SIDE
HDL01462	14	1	HANDLE; ASSY
SUP07203	15	1	SUPPORT; MOTOR
COV06405	16	1	COVER; TOP ASSY
CDS02790	17	1	CONDENSER; ASSY
GRL02416	18	1	GRILL; REAR

Part No.	Reference No.	Quantity	Description
000054147~P	*		Model Number Description

MODEL NUMBER DESCRIPTION

75015882

REV  
A

*Example Model Number:*  
**M4THM1918A12NAA**  
1 - - - 5 - - - - 10 - - - - 15

**Digit 1 - Brand Name**

M = Ameristar

**Digit 2 – Refrigerant**

2 = R22

4 = R410A

**Digit 3 - Indoor/Outdoor**

T = Outdoor

**Digit 4 – Unit Type**

H = Heat Pump

**Digit 5 – System Type**

M = Multi Part

**Digits 6-7 – Efficiency Tier (SEER)**

19 = 19 SEER

**Digits 8-9 – Nominal Capacity**

18 = 1.5 Ton

24 = 2.0 Ton

30 = 2.5 Ton

36 = 3.0 Ton

42 = 3.5 Ton

**Digit 10 – Major Development Sequence**

Alphabet Letter "A" through "Z"

**Digit 11 – Electric Power Supply Characteristics**

1 = 200-230V/1PH/60HZ or 208-230V/1PH/60HZ

**Digit 12 – Refrigerant Ports**

2 = 2 Ports

3 = 3 Ports

4 = 4 Ports

5 = 5 Ports

**Digit 13 – Region of Sale**

N = North American Market

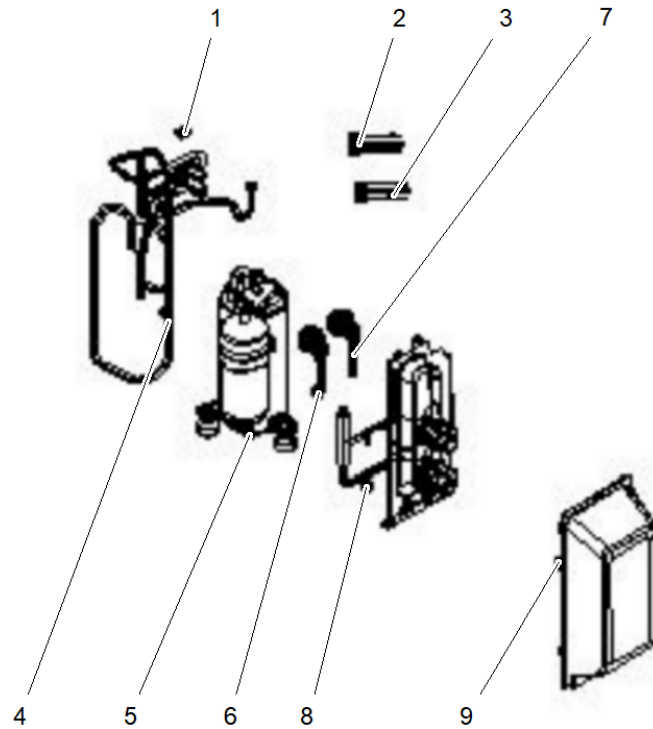
**Digit 14,15 – Minor Design Sequence - Design Change**

Alphabet Letter "A" through "Z"

Parts List Number :0000208404

Model Number :M4THM1918A12NAA

<b>Part No.</b>	<b>Reference No.</b>	<b>Quantity</b>	<b>Description</b>
000054169~P	*		Refrigeration & Miscellaneous Parts Assembly



<b>Part No.</b>	<b>Reference No.</b>	<b>Quantity</b>	<b>Description</b>
COL32673	1	1	COIL; MAGNET COIL
SEN03263	2	1	SENSOR; TEMPERATURE SENSOR
SEN03262	3	1	SENSOR; SUB-ASSY
VAL20998	4	1	VALVE; 4-WAY VALVE ASSY
COM13818	5	1	COMPRESSOR;
FTG01555	6	1	FITTING; ELECTRIC EXPAND VALVE FITTING
FTG01553	7	1	FITTING; ELECTRIC EXPAND VALVE FITTING
SUP07199	8	1	SUPPORT; VALVE ASSY
COV06407	9	1	COVER; VALVE

Part No.	Reference No.	Quantity	Description
000054171~P	*		Top-level Assembly View

