

Parts List Number :0000099761

Model Number :M4THM1542A15NBA

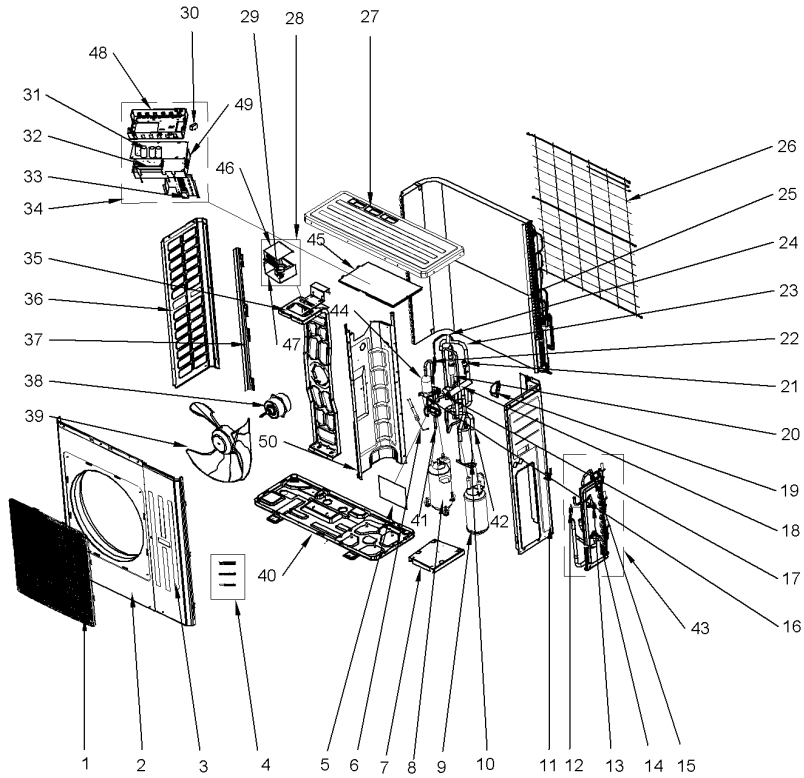
Part No.	Reference No.	Quantity	Description
0000100111~S	*		GENERAL ASSEMBLY
0000100114~S	*		MODEL NUMBER DESCRIPTION

Part No.	Reference No.	Quantity	Description
000009217~P	*		GENERAL ASSEMBLY PARTS LIST

GENERAL ASSEMBLY
3.5 TON O.D. MULTI PORTS

75012320

REV.
A



All orderable Service Parts are identified for this product.

Parts that are not identified, will not be available to order.

This is a typical illustration. The unit in the field may not appear exactly as shown.

Part No.	Reference No.	Quantity	Description
PAI00420	*	1	PAINT; CUSTOM PAINT MATCH FOR MINI SPLIT
GRL01968	1	1	GRILLE; FRONT
PNL31519	2	1	PANEL; CABINET OF AIR CONDITIONER
PLT05260	3	1	PLATE; FRONT SIDE SUB ASSY
SEN02064	4	1	SENSOR; PORT TEMPERATURE ASSY
COV05101	5	1	COVER;ELECTRIC BOX
SWT03651	6	1	SWITCH; PRESSURE PROTECT
COM12718	7	1	PLATE; COMPRESSOR MOUNTING PLATE SUB-ASSY
COM12717	8	1	COMPRESSOR; AND FITTINGS
SEP00225	9	1	SEPARATOR; GAS-LIQUID SEPARATOR SUB-ASSY
ACC00179	10	1	ACCUMULATOR; BIDIRECTION (07228741)
PNL29978	11	1	PANEL; RIGHT SIDE PLATE SUB-ASSEMBLY
SRA01013	12	1	STRAINER; A
VAL10707	13	1	VALVE; CUTOFF
VAL10706	14	1	VALVE; CUTOFF
SRA01013	15	1	STRAINER; A
SEP00224	16	1	SEPERATOR; OIL
SRA01013	17	1	STRAINER; A
VAL10708	18	1	VALVE; 4-WAY
HDL01102	19	2	HANDLE; HANDLE(26235253)
VAL18426	20	1	VALVE; 4-WAY VALVE ASSY
SWT03652	21	1	SWITCH; PRESSURE PROTECT
TUB13217	22	1	TUBE; DISCHARGE TUBE SUB-ASSY
TUB13218	23	1	TUBE; INHALATION TUBE SUB ASSY
TUB13216	24	1	TUBE; CAPILLARY SUB-ASSY(OIL SEPARATOR)
CDS02337	25	1	COIL; CONDENSER ASSY
GRL01967	26	1	GRILLE; REAR
PNL29977	27	1	PANEL; TOP
CNT06857	28	1	CONTROL; ELECTRIC REACTOR SUB-ASSY
CNT06862	29	1	CONTROL;PFC INDUCTANCE
CPT02591	30	1	CAPACITOR; CBB61S
BRD05311	31	1	BOARD; MAIN, 30226254, VERSION 5.2 OR NEWER
EXC02411	32	1	EXCHANGER; RADIATOR
BRD03953	33	5	BOARD; TERMINAL BOARD(420111041)
BOX03543	34	1	BOX; ELECTRIC ASSEMBLY
MOT18354	35	1	MOTOR; SUPPORT ASSY
PLT05237	36	1	PLATE; LEFT SIDE PLATE OF AIR CONDITIONER
PLT05236	37	1	PLATE; CONDENSOR COOLING SUPPORT
MOT14676	38	1	MOTOR;FAN
FAN05493	39	1	FAN; AXIAL FLOW
PNL35516	40	1	PANEL; SUB ASSEMBLY
PIP02673	41	1	PIPE; CONNECTIONG PIPE
PIP02674	42	1	PIPE; CONNECTIONG PIPE
SUP06373	43	1	SUPPORT; VALVE SUPPORT ASSY
HLD00760	44	1	HOLDER; TUBE CLIP
COV05505	45	1	COVER; ELECTRIC BOX COVER
COV05504	46	1	COVER; COVER, REACTOR BOX
BOX03547	47	1	BOX; ELECTRIC REACTOR
BOX03544	48	1	BOX; ELECTRIC BOX
BOX03546	49	1	BOX; ELECTRIC BOX SUB ASSY
PNL35514	50	1	PANEL; CONTROL BOX /AIR FLOW SEPARATOR

Part No.	Reference No.	Quantity	Description
000009256~P	*		MODEL NUMBER GRAPHIC

MODEL NUMBER DESCRIPTION
DUCTLESS SYSTEMS

75013584

REV
B

Example Model Number:
M4THS1812A11NAA
1 - - - 5 - - - - 10 - - - - 15

Digit 1 – Brand Name

M = Ameristar / RunTru

Digit 2 – Refrigerant Type

4 = R410a

Digit 3 – Unit Type

M = Indoor
T = Outdoor

Digit 4 – Functional Type

C = Cooling Only
H = Heat Pump
L = Low Ambient

Digit 5 – Unit Configuration

M = Multi Port
S = Single Port
W = High Wall

Digit 6, 7 – Efficiency Tier (SEER)

15 = 15 SEER
18 = 18 SEER
22 = 22 SEER
24 = 24 SEER

Digit 8, 9 – Nominal Capacity

09 = .75 ton
12 = 1.0 ton
18 = 1.5 ton
24 = 2 ton
30 = 2.5 ton
36 = 3 ton
42 = 3.5 ton

Digit 10 – Major Development Change

A = First Major Development Change

Digit 11 – Electric Power Supply

Characteristics

1 = 200/208-230V/1PH/60HZ
9 = 115V/1PH/60HZ

Digit 12 – Refrigerant Ports

1 = 1 Port
2 = 2 Ports
3 = 3 Ports
4 = 4 Ports
5 = 5 Ports

Digit 13 – Regional Markets Served

N = North America Market

Digit 14 – Minor Design Change

A = First Minor Design Change

Digit 15 – Service Digit

A = First Service Digit

All orderable Service Parts are identified for this product.

Parts that are not identified, will not be available to order.

This is a typical illustration. The unit in the field may not appear exactly as shown.

