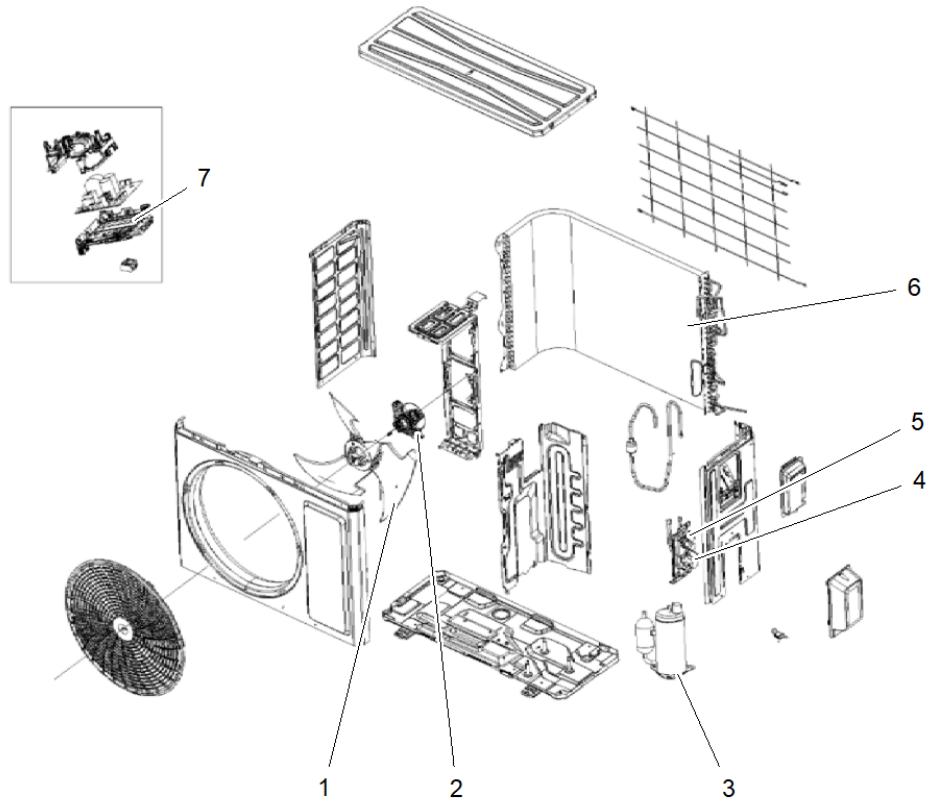


<b>Part No.</b>	<b>Reference No.</b>	<b>Quantity</b>	<b>Description</b>
0000157033~S	*		General Assembly 1
0000157032~S	*		Model Number Description

Part No.	Reference No.	Quantity	Description
0000030673~P	*		General Assembly 1



<b>Part No.</b>	<b>Reference No.</b>	<b>Quantity</b>	<b>Description</b>
FAN06584	1	1	FAN; AXIAL FLOW
MOT20618	2	1	MOTOR; BRUSHLESS DC
COM13822	3	1	COMPRESSOR;
VAL20434	4	1	VALVE; CUT OFF 1/2
VAL20430	5	1	VALVE; CUT OFF 1/4
CDS02705	6	1	CONDENSER; ASSEMBLY
BOX04480	7	1	BOX; ELECTRIC ASSY

Part No.	Reference No.	Quantity	Description
0000030869~P	*		Model Number Description(Outdoor Unit)

MODEL NUMBER DESCRIPTION	75015191	REV A
<i>Example Model Number:</i> <b>M4THS1712A11NAA</b> <small>1 - - - 5 - - - - 10 - - - - 15</small>		
<b>Digit 1 – Brand Name</b> M = Ameristar	<b>Digit 13 – Regional Markets Served</b> N = North America Market	
<b>Digit 2 – Refrigerant Type</b> 4 = R10a	<b>Digits 14 – Minor Design Sequence</b> A = First Design Sequence	
<b>Digit 3 – Unit Type</b> T = Outdoor	<b>Digits 15 – Service Digit</b> A = First Sequence	
<b>Digit 4 – Functional Type</b> H = Heat Pump C = Cooling Only		
<b>Digit 5 – Unit Configuration</b> S = Single Pump		
<b>Digits 6, 7 – Efficiency Tier (SEER)</b> 17 = 17 SEER 25 = 25 SEER		
<b>Digits 8, 9 – Nominal Capacity</b> 09 = 0.75 ton 12 = 1.0 ton 18 = 1.5 ton 24 = 2 ton		
<b>Digits 10 – Major Development Change</b> A = First Major Development Change		
<b>Digit 11 – Electric Power Supply Characteristics</b> 1 = 200-230V/1PH/60HZ		
<b>Digit 12 – Refrigerant Ports</b> 1 = 1 Port		

Model Number Description(Outdoor Unit)

Parts List Number :0000157031

Model Number :M4TCS1718A11NAA