

Parts List Number :0000099760

Model Number :M4TCS1524A11NBA

Part No.	Reference No.	Quantity	Description
0000100102~S	*		COIL, FAN & PANELS
0000100103~S	*		COMPRESSOR & VALVES
0000100104~S	*		CONTROLS
0000100105~S	*		MODEL NUMBER DESCRIPTION

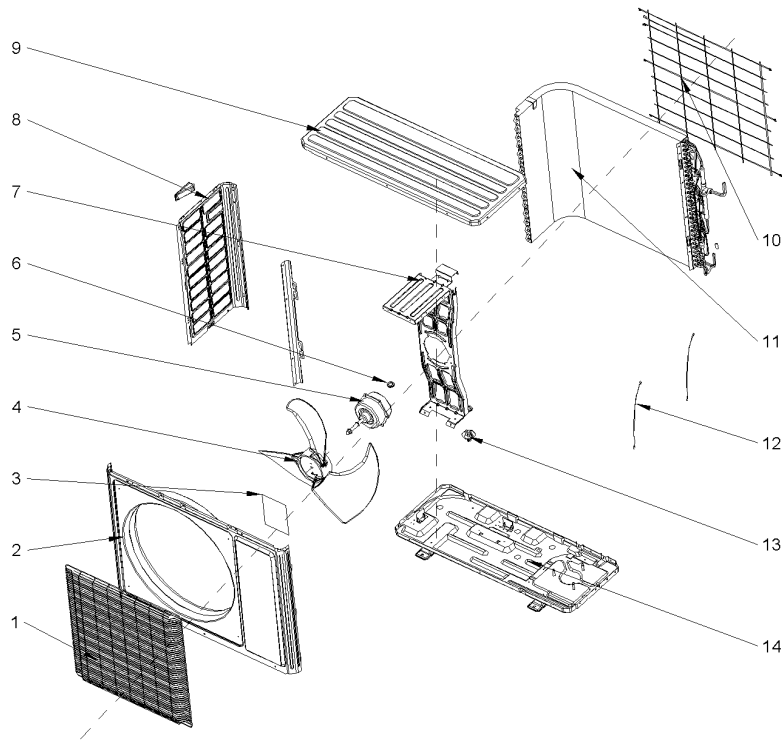
Part No.	Reference No.	Quantity	Description
000009196~P	*		COIL, FAN & PANELS PARTS LIST

GENERAL ASSEMBLY

75012037

REV.
A

2.0 TON ASSY FAN & CONDENSER & PANEL PARTS



All orderable Service Parts are identified for this product.

Parts that are not identified, will not be available to order.

This is a typical illustration. The unit in the field may not appear exactly as shown.

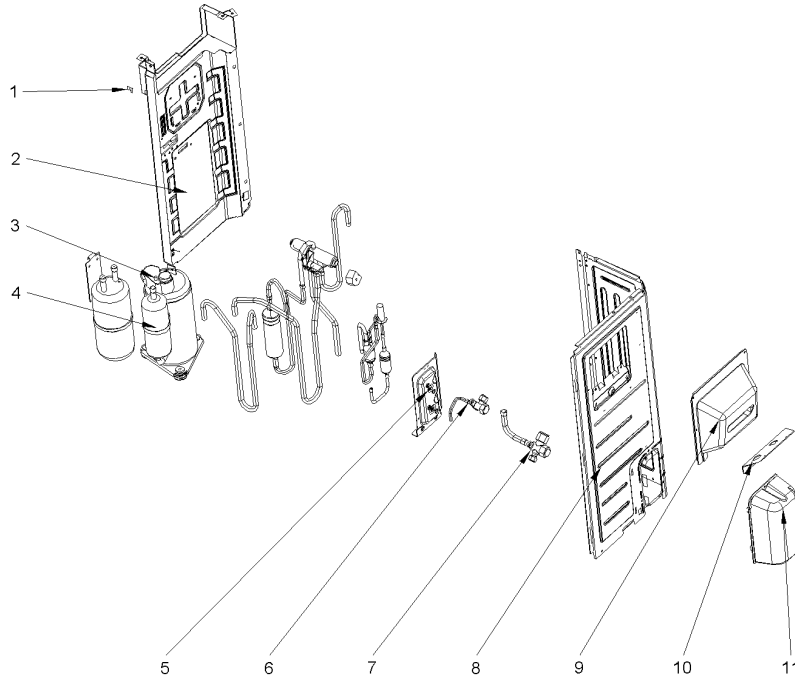
Part No.	Reference No.	Quantity	Description
PAI00420	*	1	PAINT; CUSTOM PAINT MATCH FOR MINI SPLIT
GRL01689	1	1	GRILLE; FRONT GRILL
PNL32542	2	1	PANEL; FRONT PANEL ASSY
COV05101	3	1	COVER;ELECTRIC BOX
FAN04378	4	1	FAN; AXIAL FLOW
MOT14615	5	1	MOTOR; BRUSHLESS DC FAN, 60W, 370V
SUP05585	7	1	SUPPORT; MOTOR SUPPORT SUB-ASSY
PNL29955	8	1	PANEL; FRONT SIDE
COV05307	9	1	COVER; TOP
GRL01688	10	1	GRILLE; REAR GRILL
COL26089	11	1	COIL; SUB ASSMBLY
SEN01804	12	1	SENSOR; TEMPERATURE (INCLUDES; DISCHARGE TUBE SENSOR (50K), COIL TUBE SENSOR (20K) AND OUTDOOR AMBIENT SENSOR (15K))
BAS02804	14	1	BASE; PAN

Part No.	Reference No.	Quantity	Description
000009197~P	*		COMPRESSOR & VALVES PARTS LIST

GENERAL ASSEMBLY
2.0 TON ASSY COMPRESSOR & VALVE PARTS

75012038

REV
B



All orderable Service Parts are identified for this product.

Parts that are not identified, will not be available to order.

This is a typical illustration. The unit in the field may not appear exactly as shown.

Parts List Number :0000099760

Model Number :M4TCS1524A11NBA

Part No.	Reference No.	Quantity	Description
CMP01443	1	1	CLAMP; WIRING
PNL31756	2	1	PANEL; CLAPBOARD ASSY
OLD00725	3	1	OVERLOAD; COMPRESSOR, PROTECTOR, EXTERNAL
COM11893	4	1	COMPRESSOR; AND FITTINGS
SUP06102	5	1	SUPPORT; 4 WAY VALVE ASSEMBLY
VAL12323	6	1	VALVE; CUT-OFF VALVE SUB-ASSY
VAL09900	7	1	VALVE; CUT-OFF (GAS)
PLT05940	8	1	PLATE; RIGHT SIDE
HDL01100	9	1	HANDLE; HANDLE ASSY(02113109)
BLK01462	10	1	BLOCK;
COV04872	11	1	COVER; VALVE COVER

CONTROLS

Parts List Number :0000099760

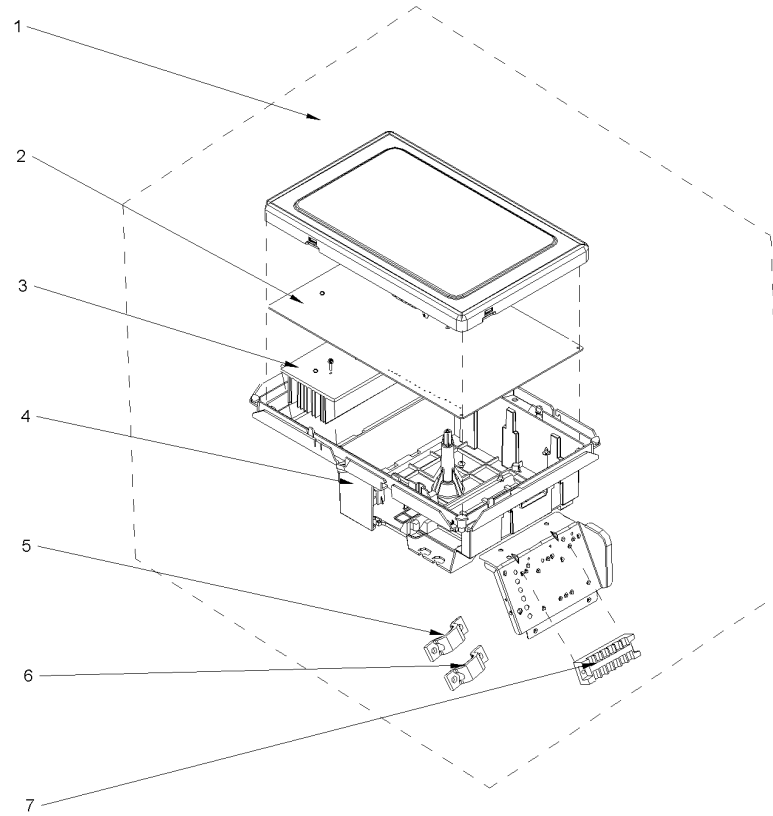
Model Number :M4TCS1524A11NBA

Part No.	Reference No.	Quantity	Description
000009195~P	*		CONTROLS PARTS LIST

CONTROL ASSEMBLY
2.0 TON ASSY CONTROL PARTS

75012032

REV.
A



All orderable Service Parts are identified for this product.
Parts that are not identified, will not be available to order.
This is a typical illustration. The unit in the field may not appear exactly as shown.

Part No.	Reference No.	Quantity	Description
BOX02938	1	1	BOX; ELECTRICAL ASSEMBLY (INCLUDES TERMINAL BOARD, MAIN AND CONNECTIONS)
BRD05901	2	1	BOARD; MAIN
COL28026	3	1	COIL; RADIATOR
BOX02922	4	1	BOX; ELECTRICAL
CMP01451	5	1	CLAMP; WIRE
CMP01451	6	1	CLAMP; WIRE
BRD03384	7	1	BOARD; TERMINAL

Part No.	Reference No.	Quantity	Description
000009256~P	*		MODEL NUMBER GRAPHIC

MODEL NUMBER DESCRIPTION
DUCTLESS SYSTEMS

75013584

REV
B

Example Model Number:
M4THS1812A11NAA
1 - - - 5 - - - - 10 - - - - 15

Digit 1 – Brand Name

M = Ameristar / RunTru

Digit 2 – Refrigerant Type

4 = R410a

Digit 3 – Unit Type

M = Indoor
T = Outdoor

Digit 4 – Functional Type

C = Cooling Only
H = Heat Pump
L = Low Ambient

Digit 5 – Unit Configuration

M = Multi Port
S = Single Port
W = High Wall

Digit 6, 7 – Efficiency Tier (SEER)

15 = 15 SEER
18 = 18 SEER
22 = 22 SEER
24 = 24 SEER

Digit 8, 9 – Nominal Capacity

09 = .75 ton
12 = 1.0 ton
18 = 1.5 ton
24 = 2 ton
30 = 2.5 ton
36 = 3 ton
42 = 3.5 ton

Digit 10 – Major Development Change

A = First Major Development Change

Digit 11 – Electric Power Supply

Characteristics

1 = 200/208-230V/1PH/60HZ
9 = 115V/1PH/60HZ

Digit 12 – Refrigerant Ports

1 = 1 Port
2 = 2 Ports
3 = 3 Ports
4 = 4 Ports
5 = 5 Ports

Digit 13 – Regional Markets Served

N = North America Market

Digit 14 – Minor Design Change

A = First Minor Design Change

Digit 15 – Service Digit

A = First Service Digit

All orderable Service Parts are identified for this product.

Parts that are not identified, will not be available to order.

This is a typical illustration. The unit in the field may not appear exactly as shown.

