

Part No.	Reference No.	Quantity	Description
M4MUP1_M4MUP1_191085~P	*		15 SEER MINI SPLIT LOMO UNITS PARTS LIST
75012038#M4MUP1~S	*		ASSY COMPRESSOR & VALVE PARTS
75012032#M4MUP1~S	*		ASSY CONTROL PARTS
75012037#M4MUP1~S	*		ASSY FAN & CONDENSER & PANEL PARTS
75011981#M4MUP1~S	*		MODEL NUMBER DESCRIPTION

NO GRAPHIC AVAILABLE

75013702

REV
A

**NO
GRAPHIC
AVAILABLE**

MODEL NUMBER DESCRIPTION 75011981
15 SEER LOMO OUTDOOR DUCTLESS SINGLE PORT

REV.
A

Example Model Number:
M4THS1512A11NAA
1 - - - - 5 - - - - - 10 - - - - - 15

Digit 1 – Brand Name
M = Ameristar

Digit 2 – Refrigerant Type
4 = R410a

Digit 3 – Unit Type
T = Outdoor

Digit 4 – Functional Type
H = Heat Pump
C = Cooling Only

Digit 5 – Unit Configuration
S = Single Port

Digit 6, 7 – Efficiency Tier (SEER)
15 = 15 SEER

Digit 8, 9 – Nominal Capacity
09 = .75 ton
12 = 1.0 ton
18 = 1.5 ton
24 = 2 ton

Digit 10 – Major Development Change
A = First Major Development Change

Digit 11 – Electric Power Supply Characteristics
1 = 200-230V/1PH/60HZ

Digit 12 – Refrigerant Ports
1 = 1 Port

Digit 13 – Regional Markets Served
N = North America Market

Digit 14 – Minor Design Change
A = First Minor Design Change

Digit 15 – Service Digit
A = First Service Digit

Part No.	Reference No.	Quantity	Description
75011981_M4MUP1_191086~P	*		MODEL NUMBER DESCRIPTION PARTS LIST

MODEL NUMBER DESCRIPTION 75011981
15 SEER LOMO OUTDOOR DUCTLESS SINGLE PORT

REV.
A

Example Model Number:
M4THS1512A11NAA
1 - - - - 5 - - - - 10 - - - - 15

Digit 1 – Brand Name

M = Ameristar

Digit 2 – Refrigerant Type

4 = R410a

Digit 3 – Unit Type

T = Outdoor

Digit 4 – Functional Type

H = Heat Pump
C = Cooling Only

Digit 5 – Unit Configuration

S = Single Port

Digit 6, 7 – Efficiency Tier (SEER)

15 = 15 SEER

Digit 8, 9 – Nominal Capacity

09 = .75 ton
12 = 1.0 ton
18 = 1.5 ton
24 = 2 ton

Digit 10 – Major Development Change

A = First Major Development Change

Digit 11 – Electric Power Supply Characteristics

1 = 200-230V/1PH/60HZ

Digit 12 – Refrigerant Ports

1 = 1 Port

Digit 13 – Regional Markets Served

N = North America Market

Digit 14 – Minor Design Change

A = First Minor Design Change

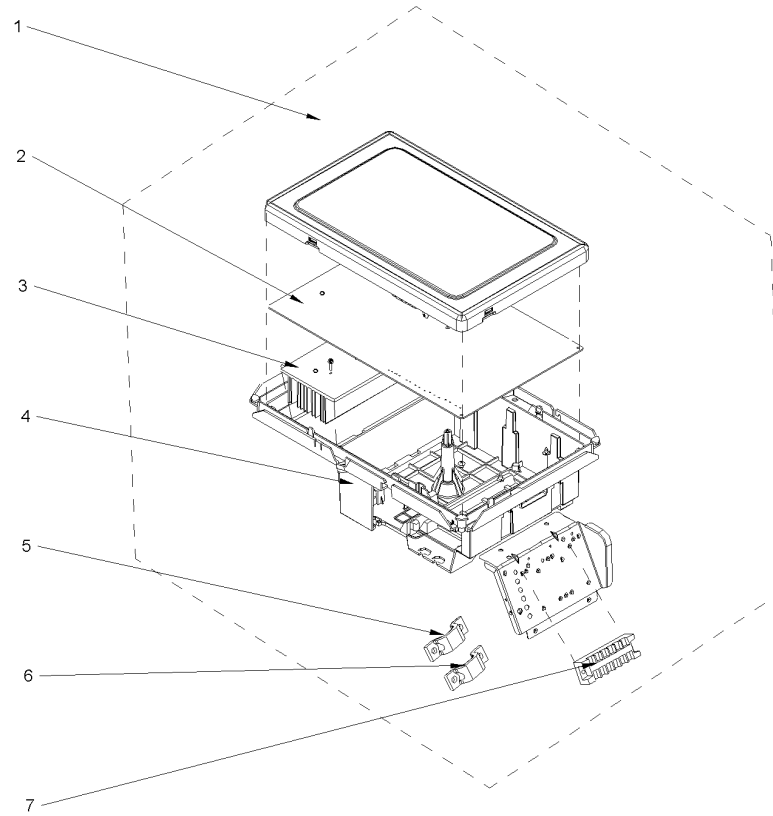
Digit 15 – Service Digit

A = First Service Digit

CONTROL ASSEMBLY
2.0 TON ASSY CONTROL PARTS

75012032

REV.
A



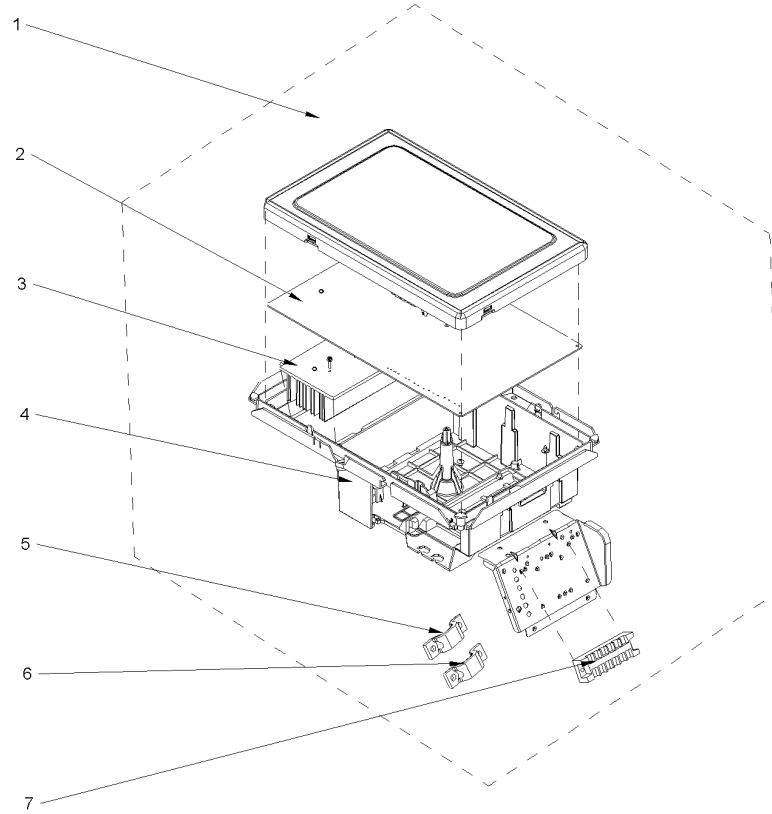
All orderable Service Parts are identified for this product.
Parts that are not identified, will not be available to order.
This is a typical illustration. The unit in the field may not appear exactly as shown.

Part No.	Reference No.	Quantity	Description
75012032_M4MUP1_361634~P	*		ASSY CONTROL PARTS

CONTROL ASSEMBLY
2.0 TON ASSY CONTROL PARTS

75012032

REV.
A



All orderable Service Parts are identified for this product.

Parts that are not identified, will not be available to order.

This is a typical illustration. The unit in the field may not appear exactly as shown.

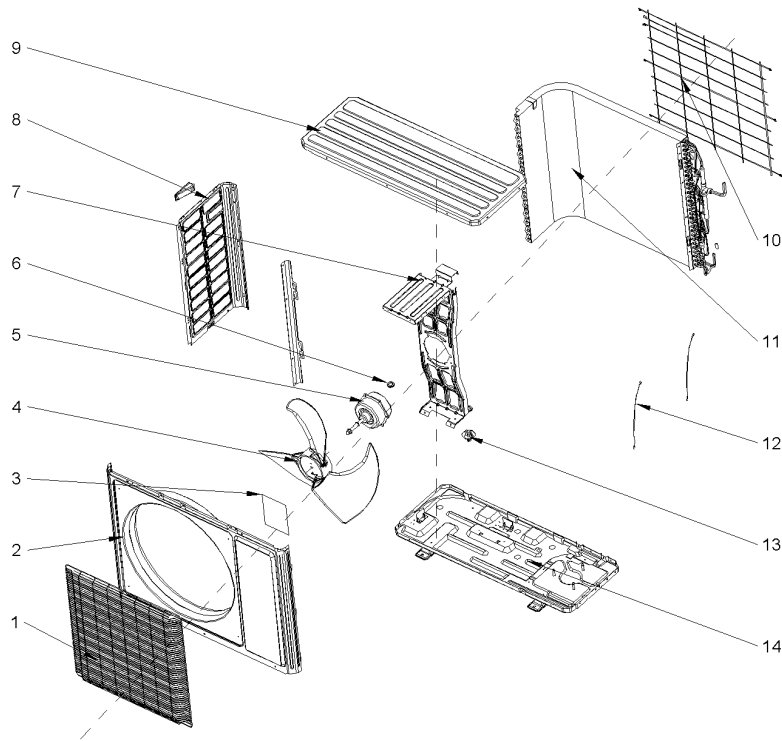
Part No.	Reference No.	Quantity	Description
BOX02938	1	1	BOX; ELECTRICAL ASSEMBLY (INCLUDES TERMINAL BOARD, MAIN AND CONNECTIONS)
BRD05901	2	1	BOARD; MAIN
COL28026	3	1	COIL; RADIATOR
BOX02922	4	1	BOX; ELECTRICAL
CMP01451	5	1	CLAMP; WIRE
CMP01451	6	1	CLAMP; WIRE
BRD03384	7	1	BOARD; TERMINAL

GENERAL ASSEMBLY

75012037

REV.
A

2.0 TON ASSY FAN & CONDENSER & PANEL PARTS



All orderable Service Parts are identified for this product.

Parts that are not identified, will not be available to order.

This is a typical illustration. The unit in the field may not appear exactly as shown.

Parts List Number :M4MUP1#M4MUP1

Model Number :M4TCS1524A11NAA

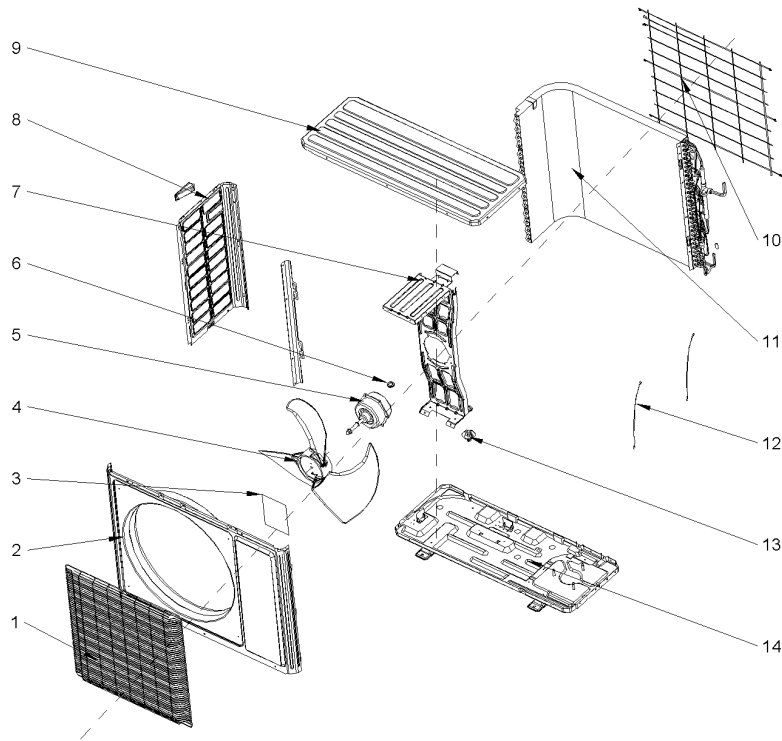
Part No.	Reference No.	Quantity	Description
75012037_M4MUP1_361635~P	*		ASSY FAN & CONDENSER & PANEL PARTS

GENERAL ASSEMBLY

75012037

REV.
A

2.0 TON ASSY FAN & CONDENSER & PANEL PARTS



All orderable Service Parts are identified for this product.

Parts that are not identified, will not be available to order.

This is a typical illustration. The unit in the field may not appear exactly as shown.

Parts List Number :M4MUP1#M4MUP1

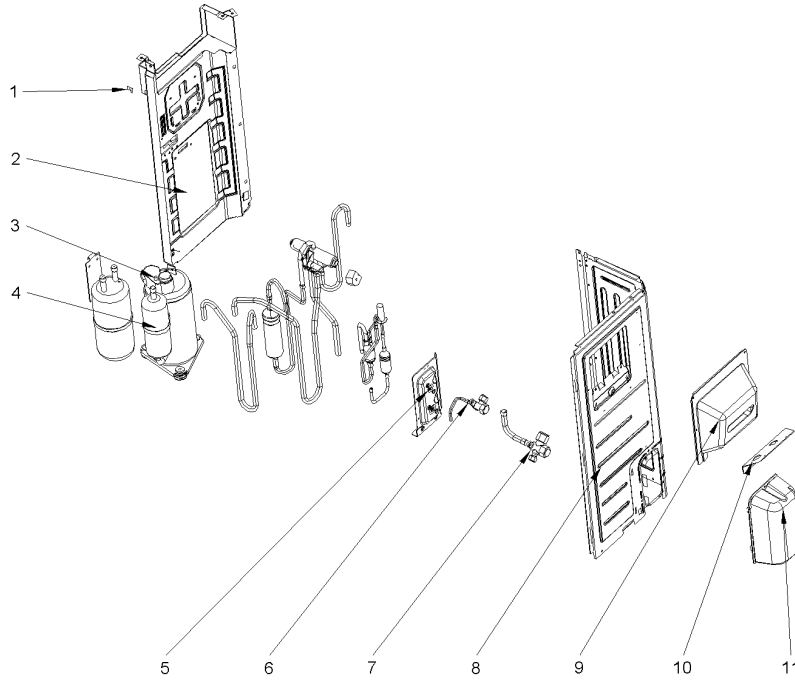
Model Number :M4TCS1524A11NAA

Part No.	Reference No.	Quantity	Description
PAI00420	*	1	PAINT; CUSTOM PAINT MATCH FOR MINI SPLIT
GRL01689	1	1	GRILLE; FRONT GRILL
PNL32542	2	1	PANEL; FRONT PANEL ASSY
COV05101	3	1	COVER;ELECTRIC BOX
FAN04378	4	1	FAN; AXIAL FLOW
MOT14615	5	1	MOTOR; BRUSHLESS DC FAN, 60W, 370V
SUP05585	7	1	SUPPORT; MOTOR SUPPORT SUB-ASSY
PNL29955	8	1	PANEL; FRONT SIDE
COV05307	9	1	COVER; TOP
GRL01688	10	1	GRILLE; REAR GRILL
COL26089	11	1	COIL; SUB ASSMBLY
SEN01804	12	1	SENSOR; TEMPERATURE (INCLUDES; DISCHARGE TUBE SENSOR (50K), COIL TUBE SENSOR (20K) AND OUTDOOR AMBIENT SENSOR (15K))
BAS02804	14	1	BASE; PAN

GENERAL ASSEMBLY
2.0 TON ASSY COMPRESSOR & VALVE PARTS

75012038

REV
B



All orderable Service Parts are identified for this product.

Parts that are not identified, will not be available to order.

This is a typical illustration. The unit in the field may not appear exactly as shown.

Parts List Number :M4MUP1#M4MUP1

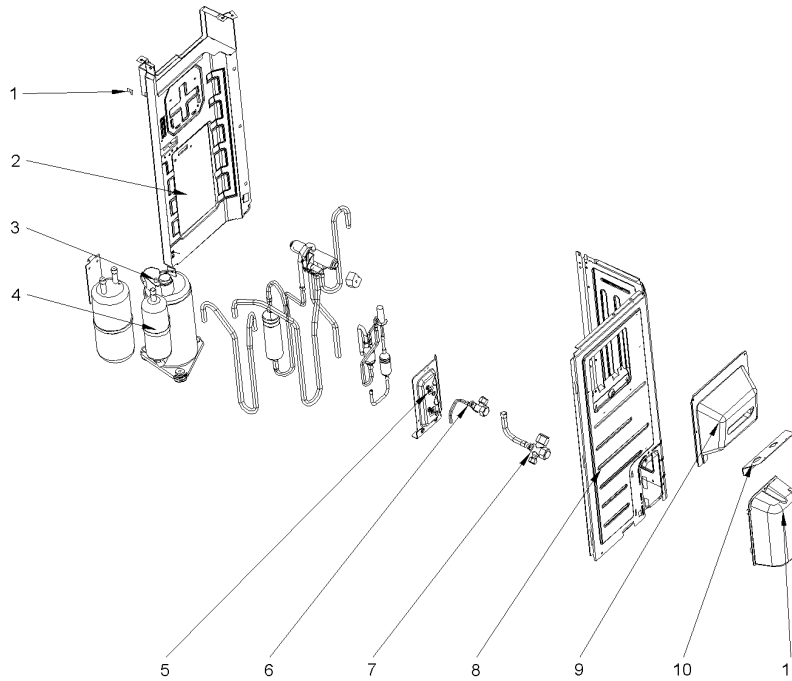
Model Number :M4TCS1524A11NAA

Part No.	Reference No.	Quantity	Description
75012038_M4MUP1_361636~P	*		ASSY COMPRESSOR & VALVE PARTS

GENERAL ASSEMBLY
2.0 TON ASSY COMPRESSOR & VALVE PARTS

75012038

REV
B



All orderable Service Parts are identified for this product.

Parts that are not identified, will not be available to order.

This is a typical illustration. The unit in the field may not appear exactly as shown.

Part No.	Reference No.	Quantity	Description
CMP01443	1	1	CLAMP; WIRING
PNL31756	2	1	PANEL; CLAPBOARD ASSY
OLD00725	3	1	OVERLOAD; COMPRESSOR, PROTECTOR, EXTERNAL
COM11893	4	1	COMPRESSOR; AND FITTINGS
SUP06102	5	1	SUPPORT; 4 WAY VALVE ASSEMBLY
VAL12323	6	1	VALVE; CUT-OFF VALVE SUB-ASSY
VAL09900	7	1	VALVE; CUT-OFF (GAS)
PLT05940	8	1	PLATE; RIGHT SIDE
HDL01100	9	1	HANDLE; HANDLE ASSY(02113109)
BLK01462	10	1	BLOCK;
COV04872	11	1	COVER; VALVE COVER