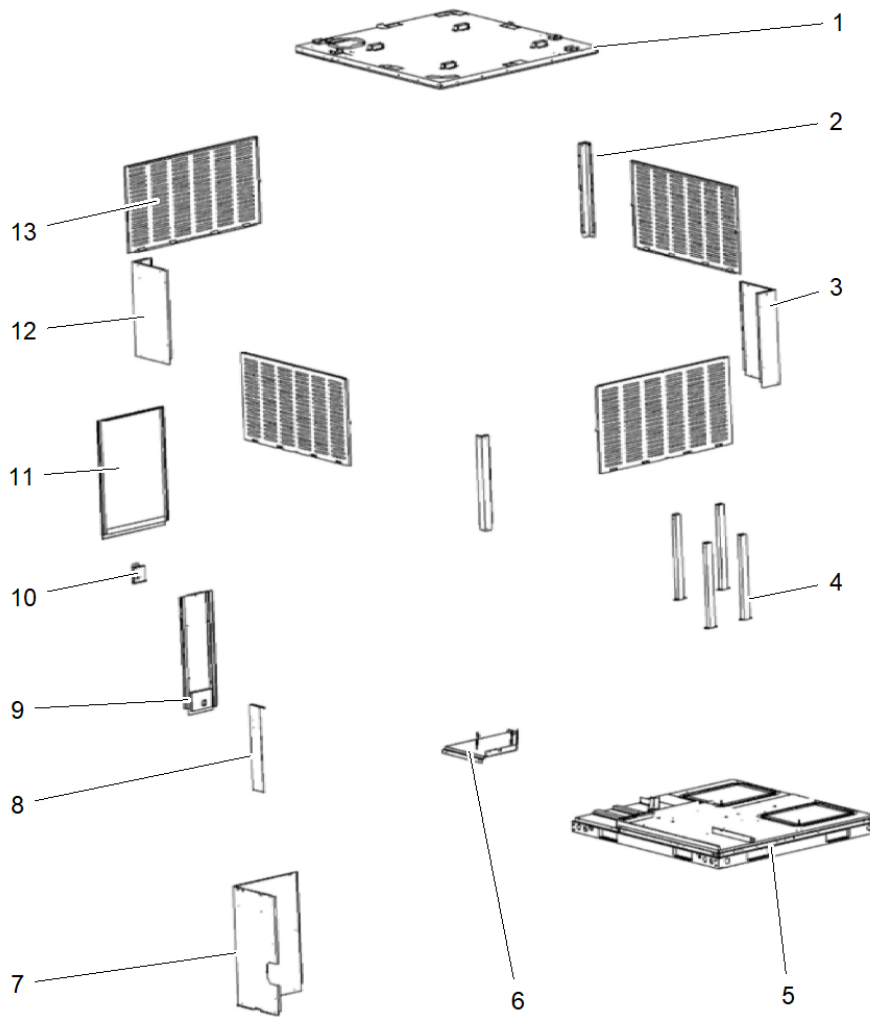


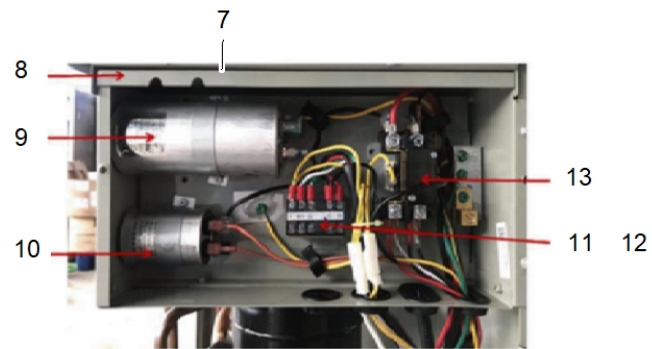
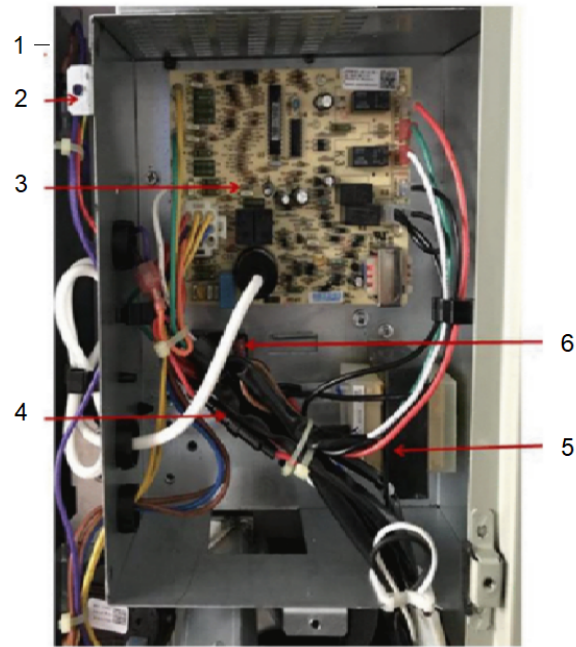
| Part No. | Reference No. | Quantity | Description |
|-----------------|----------------------|-----------------|-------------------------------|
| 0000147303~S | * | | Cabinet Assembly |
| 0000147301~S | * | | E-Part Box Assembly |
| 0000147304~S | * | | Fan & Blower Assembly |
| 0000147302~S | * | | Heater Assembly |
| 0000147300~S | * | | Model Number Description |
| 0000147305~S | * | | Refrigeration System Assembly |

| Part No. | Reference No. | Quantity | Description |
|--------------|---------------|----------|------------------|
| 0000025620~P | * | | Cabinet Assembly |



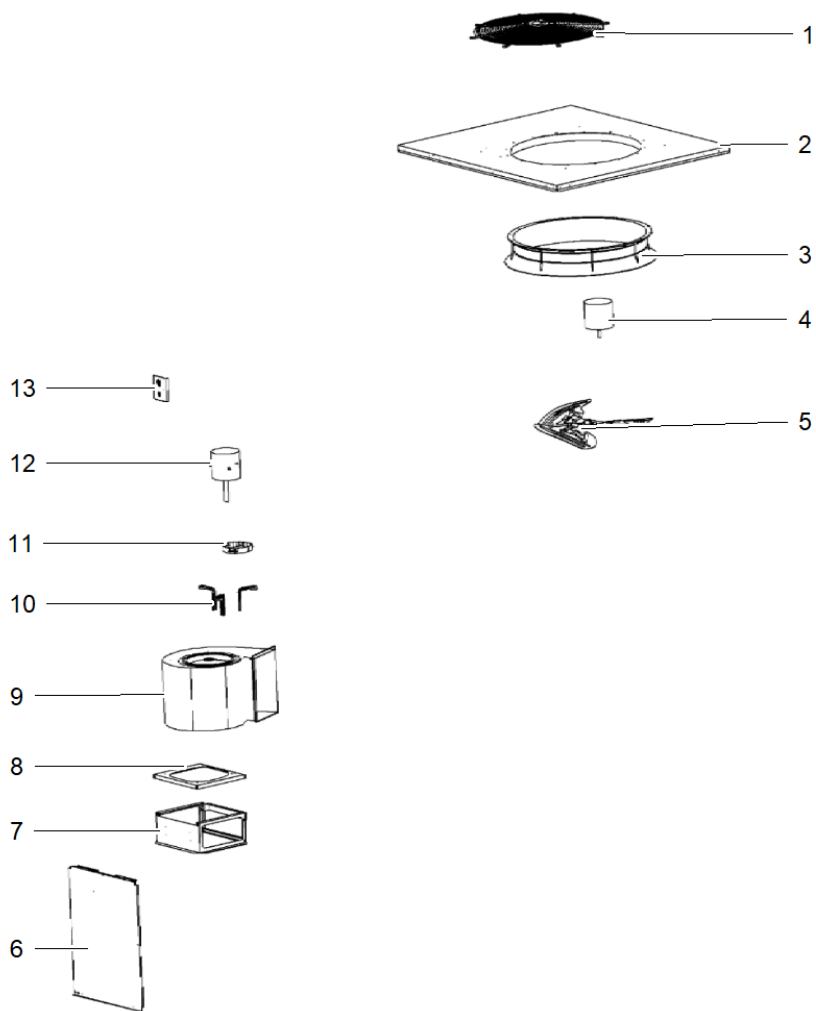
| Part No. | Reference No. | Quantity | Description |
|-----------------|----------------------|-----------------|-------------------------------|
| COV06104 | 1 | 1 | ASSEMBLY; TOP |
| SUP06898 | 2 | 2 | SUPPORT; COLUMN |
| SUP06895 | 3 | 1 | SUPPORT; CORNER SUPPORT PANEL |
| SUP06901 | 4 | 4 | SUPPORT; COLUMN |
| WHL03941 | 5 | 1 | BASE; ASSEMBLY |
| BAS03431 | 6 | 1 | PLATE; COMPRESSOR BASE |
| PNL38321 | 7 | 1 | PANEL; CORNER ACCESS |
| SUP06897 | 8 | 1 | SUPPORT; COLUMN |
| SUP06902 | 9 | 1 | SUPPORT; COLUMN |
| PNL38327 | 11 | 1 | PANEL; SIDE ACCESS |
| SUP06903 | 12 | 1 | SUPPORT; CORNER SUPPORT PANEL |
| PLT07084 | 13 | 4 | PANEL; SIDE LOUVER |

| Part No. | Reference No. | Quantity | Description |
|--------------|---------------|----------|---------------------|
| 0000025618~P | * | | E-Part Box Assembly |



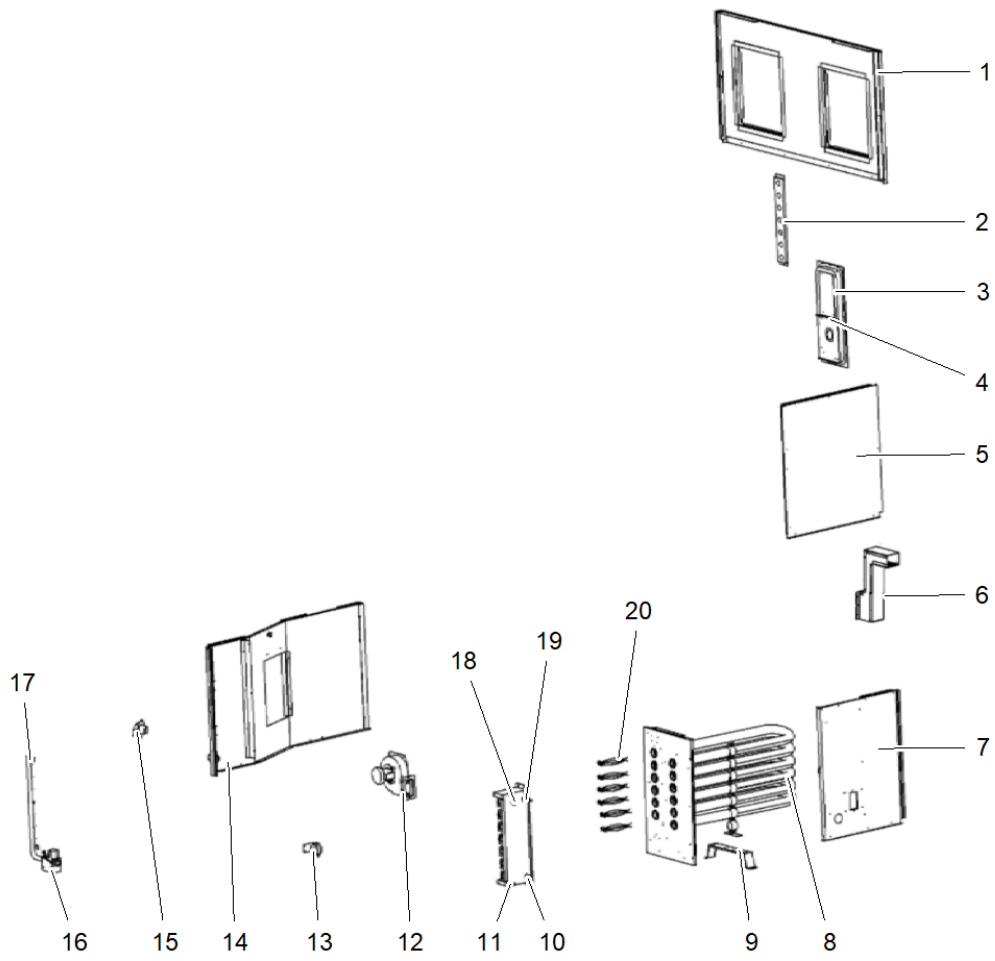
| Part No. | Reference No. | Quantity | Description |
|-----------------|----------------------|-----------------|-------------------------------------------|
| BOX04392 | 1 | 1 | BOX; CONTROL BOX ASSEMBLY, GAS |
| BOX04401 | 2 | 1 | BOX; CONTROL BOX PANEL, GAS |
| BRD07440 | 3 | 1 | BOARD; CONTROL, GAS |
| WIR11164 | 4 | 1 | WIRE; STRONG ELECTRIC CABLE GROUP |
| TRR02816 | 5 | 1 | TRANSFORMER; 208-240, 60 CYCLE, 40 VA, 1Q |
| BLK01522 | 6 | 1 | BLOCK; TERMINAL, GAS |
| BOX04396 | 7 | 1 | BOX; CONTROL BOX ASSEMBLY, COOLING |
| BOX04400 | 8 | 1 | BOX; CONTROL BOX PANEL, COOLING |
| CPT02493 | 9 | 1 | CAPACITOR; RUN; 70UF/450V-P2(2000H) |
| CPT02523 | 10 | 1 | CAPACITOR; FAN; 15UF/450V-P2(2000H) |
| WIR11166 | 11 | 1 | WIRE; JOINT |
| WIR11165 | 12 | 1 | LABEL; TERMINAL WIRING |
| CTR02987 | 13 | 1 | CONTACTOR; AC, 24V |

| Part No. | Reference No. | Quantity | Description |
|--------------|---------------|----------|-----------------------|
| 0000025621~P | * | | Fan & Blower Assembly |



| Part No. | Reference No. | Quantity | Description |
|-----------------|----------------------|-----------------|---------------------------------|
| SUP06891 | 1 | 1 | GRILLE; FAN |
| COV06102 | 2 | 1 | ASSEMBLY; TOP |
| RNG02733 | 3 | 1 | RING; FAN ORIFICE |
| MOT20193 | 4 | 1 | MOTOR; FAN |
| FAN06490 | 5 | 1 | ASSEMBLY; FAN BLADE |
| PNL38326 | 6 | 1 | PANEL; INTERNAL |
| BRD07695 | 7 | 1 | DECK; FAN BLOWER |
| PLT07087 | 8 | 1 | PLATE; BLOWER DECK |
| CNT08696 | 9 | 1 | HOUSING; BLOWER |
| BRK04780 | 10 | 3 | BRACKET; BLOWER FAN MOTOR |
| BND00919 | 11 | 1 | BAND; BLOWER FAN MOTOR BELLY |
| MOT20192 | 12 | 1 | MOTOR; BLOWER FAN; BRUSHLESS DC |
| BRD07694 | 13 | 1 | BOARD; LINE BLOCK ASSEMBLY |

| Part No. | Reference No. | Quantity | Description |
|--------------|---------------|----------|-----------------|
| 0000025619~P | * | | Heater Assembly |



| Part No. | Reference No. | Quantity | Description |
|-----------------|----------------------|-----------------|------------------------------------|
| PNL38320 | 1 | 1 | PANEL; SUPPLY AND RETURN |
| PLT07085 | 2 | 1 | PLATE; DEFLECTOR |
| HOD01167 | 3 | 1 | HOOD; GAS COLLECTING |
| BAF01537 | 4 | 1 | BAFFLE; EXHAUST |
| PNL38327 | 5 | 1 | PANEL; SIDE ACCESS |
| PIP03403 | 6 | 1 | PIPE; FLUE |
| SUP06894 | 7 | 1 | SUPPORT; PANEL |
| EXC03053 | 8 | 1 | EXCHANGER; HEAT EXCHANGER ASSEMBLY |
| PLT07089 | 9 | 1 | PLATE; SUPPORT |
| IGN00286 | 10 | 1 | IGNITOR |
| BNR01329 | 11 | 1 | BURNER; ASM |
| FLU00409 | 12 | 1 | FLUE; INDUCER MOTOR |
| SEN03079 | 13 | 1 | SENSOR; PRESSURE |
| BRD07698 | 14 | 1 | PANEL; PARTITION ASM |
| THT03307 | 15 | 1 | SWITCH; TEMPERATURE SWITCH |
| VAL19924 | 16 | 1 | VALVE; GAS |
| PIP03412 | 17 | 1 | ASSEMBLY; GAS VALVE |
| CNT07659 | 18 | 1 | SWITCH; TEMPERATURE CONTROL |
| SEN02528 | 19 | 1 | SENSOR; FLAME |
| CNT08695 | 20 | 7 | SPOILER |

| Part No. | Reference No. | Quantity | Description |
|--------------|---------------|----------|--------------------------|
| 0000025576~P | * | | Model Number Description |

MODEL NOMENCLATURE
Ameristar Rooftop Packaged Units

75010175

REV
A

Model Number Example

M 4 P G 3 0 2 4 A 1 0 6 4 A A
1 2 3 4 5 6 7 8 9 10 11 12 13 14 15

Digit 1 = Brand Name
M = Ameristar

Digit 2 = Refrigerant Type
2 = R22
4 = R-410a

Digit 3 = Product Family
P = Packaged Unit

Digit 4 = Product Type
G = Gas Electric
H = Heat Pump

Digit 5 = Nominal Efficiency Rating
3 - 13 SEER
4 - 14 SEER

Digit 6,7,8 = Nominal Capacity
(Btu/h x 1,000)

024 = 24,000 Btu/h
030 = 30,000 Btu/h
036 = 36,000 Btu/h
048 = 48,000 Btu/h
060 = 60,000 Btu/h

Digit 9 = Major Development Sequence
A = First Development Sequence
B = Second Development Sequence
C = Third Development Sequence

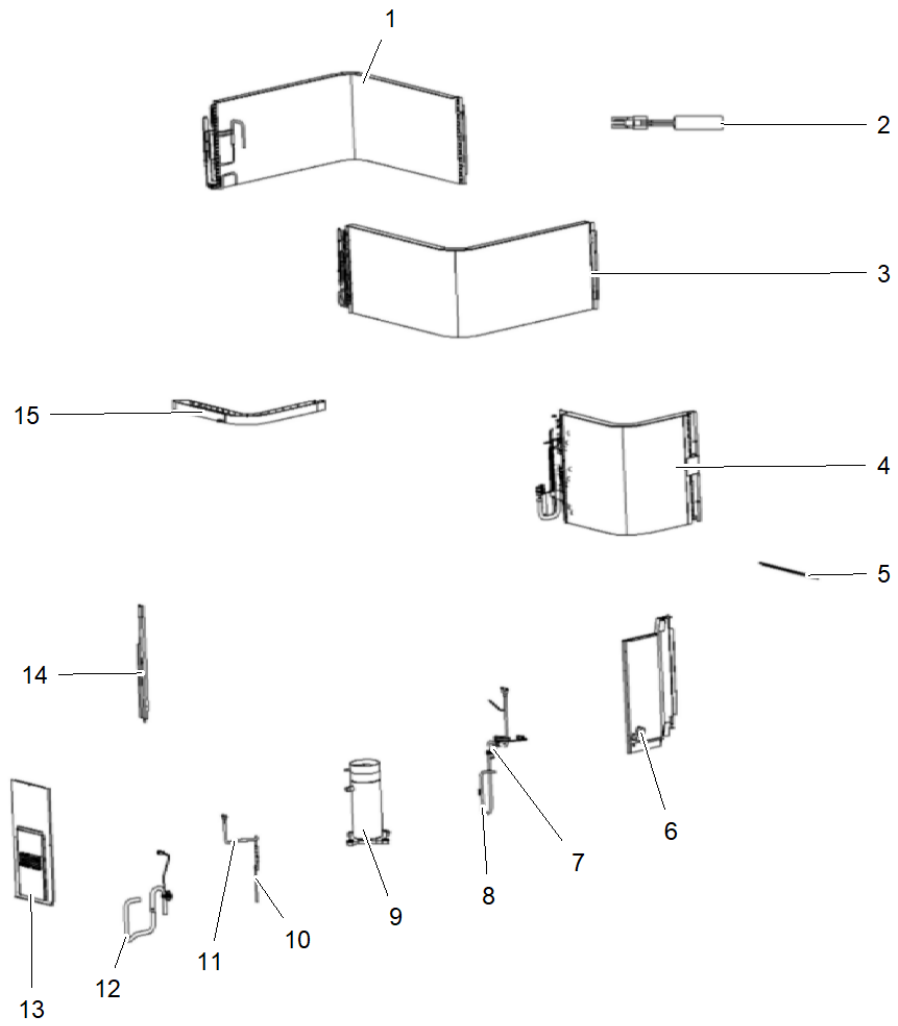
Digit 10 = Electric Power Supply Characteristics
1 = 208-230/60/1

Digit 11, 12, 13 = Nominal Gas Heating Input Capacity
0 = Not currently used (Btu/h x 1,000)

060 = 60,000 Btu/h
064 = 64,000 Btu/h
075 = 75,000 Btu/h
096 = 96,000 Btu/h
120 = 120,000 Btu/h

Digit 14, 15 = Minor Design Sequence/Series-Des. Chg
AA = First Design Sequence

| Part No. | Reference No. | Quantity | Description |
|--------------|---------------|----------|-------------------------------|
| 0000025622~P | * | | Refrigeration System Assembly |



| Part No. | Reference No. | Quantity | Description |
|-----------------|----------------------|-----------------|--------------------------------|
| CDS02686 | 1 | 1 | CONDENSER; COIL ASSEMBLY |
| SEN03082 | 2 | 1 | SENSOR; DISCHARGE TEMPERATURE |
| CDS02682 | 3 | 1 | CONDENSER; COIL ASSEMBLY |
| PLT07088 | 5 | 1 | PLATE; SUPPORT |
| BRD07697 | 6 | 1 | PANEL; PARTITION ASM |
| SWT04049 | 7 | 1 | SWITCH; HIGH PRESSURE |
| PIP03413 | 8 | 1 | LINE; DISCHARGE LINE ASSEMBLY |
| COM12571 | 9 | 1 | COMPRESSOR; SCROLL |
| VAL19925 | 10 | 1 | VALVE; ONE WAY CHECK VALVE |
| VAL20247 | 11 | 1 | VALVE; THROTTLE VALVE ASSEMBLY |
| PIP03408 | 12 | 1 | LINE; SUCTION LINE ASSEMBLY |
| PNL38322 | 13 | 1 | PANEL; BURNER ACCESS |
| SUP06900 | 14 | 1 | SUPPORT; BAR |
| PAN04361 | 15 | 1 | PAN; DRAIN |