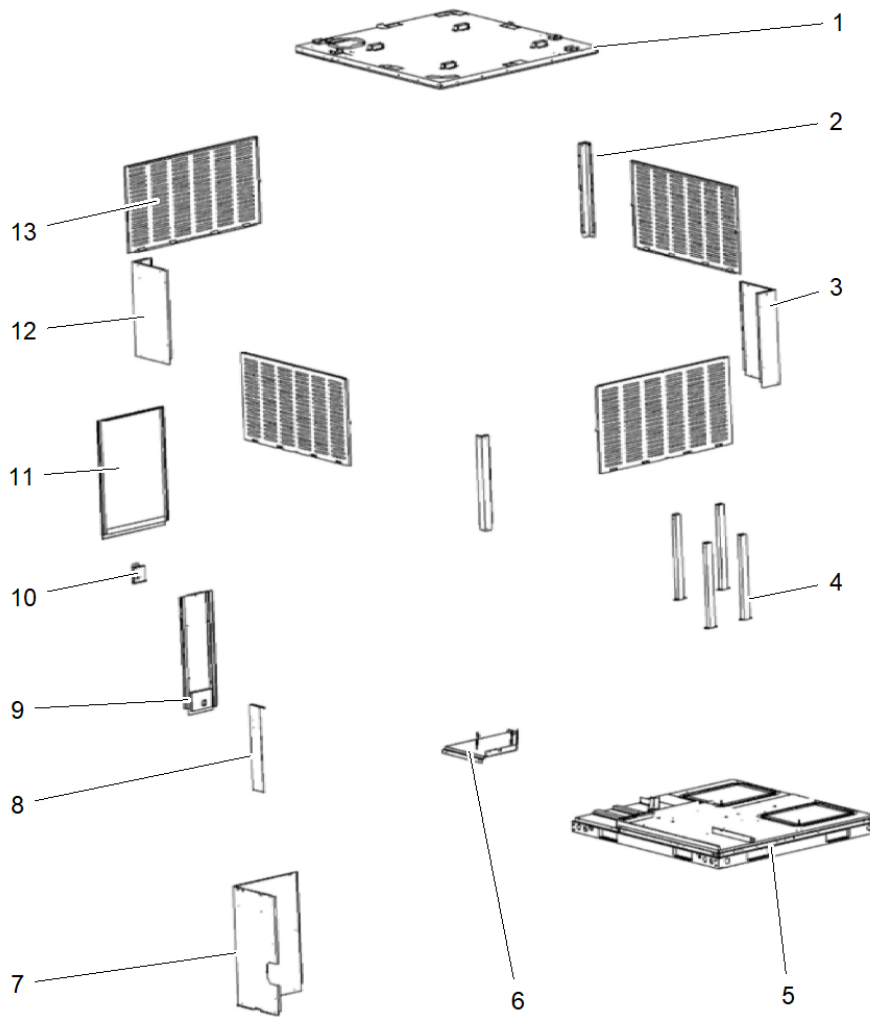


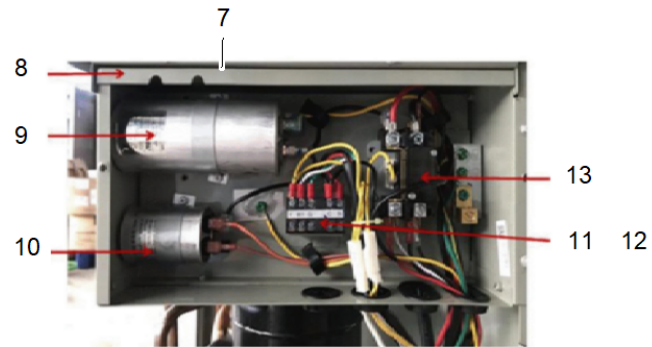
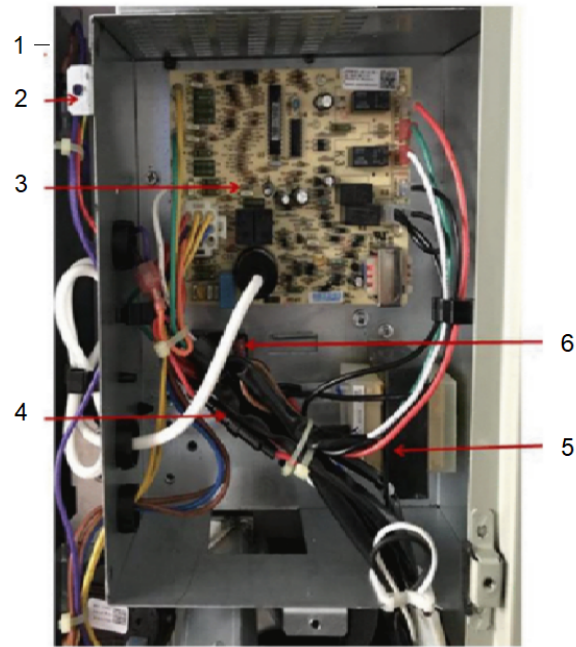
Part No.	Reference No.	Quantity	Description
0000147303~S	*		Cabinet Assembly
0000147301~S	*		E-Part Box Assembly
0000147304~S	*		Fan & Blower Assembly
0000147302~S	*		Heater Assembly
0000147300~S	*		Model Number Description
0000147305~S	*		Refrigeration System Assembly

Part No.	Reference No.	Quantity	Description
0000025616~P	*		Cabinet Assembly



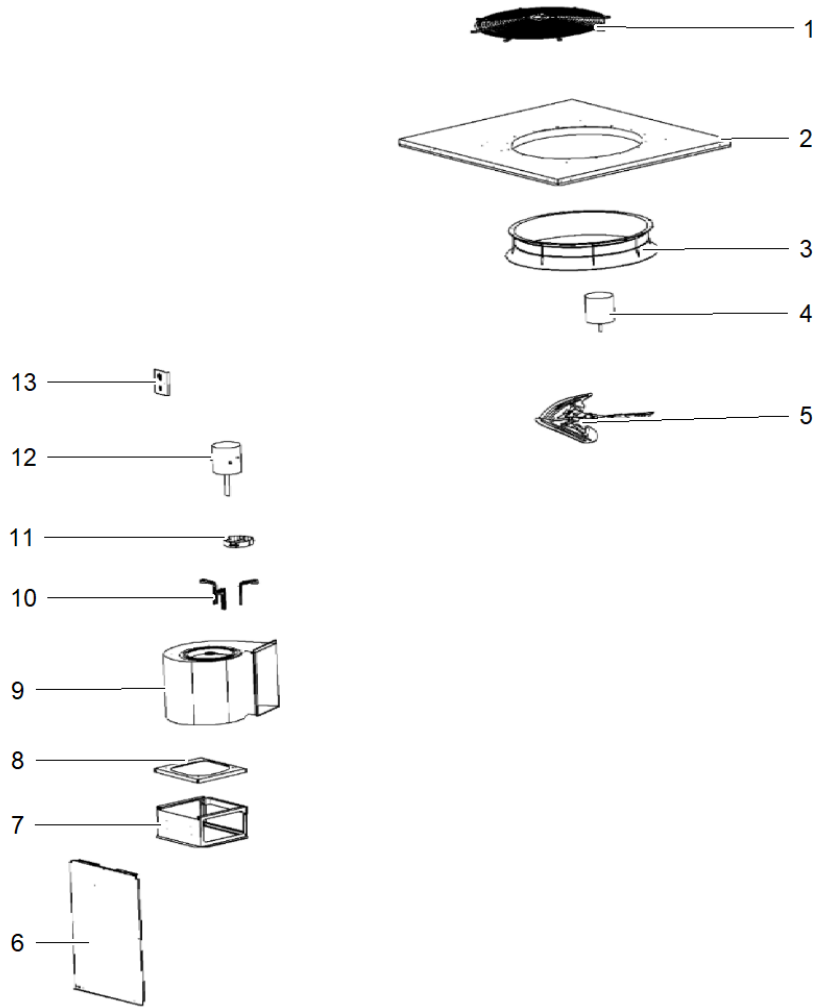
Part No.	Reference No.	Quantity	Description
COV06104	1	1	ASSEMBLY; TOP
SUP06898	2	2	SUPPORT; COLUMN
SUP06895	3	1	SUPPORT; CORNER SUPPORT PANEL
SUP06901	4	4	SUPPORT; COLUMN
WHL03941	5	1	BASE; ASSEMBLY
BAS03431	6	1	PLATE; COMPRESSOR BASE
PNL38321	7	1	PANEL; CORNER ACCESS
SUP06897	8	1	SUPPORT; COLUMN
SUP06902	9	1	SUPPORT; COLUMN
PNL38327	11	1	PANEL; SIDE ACCESS
SUP06903	12	1	SUPPORT; CORNER SUPPORT PANEL
PLT07084	13	4	PANEL; SIDE LOUVER

Part No.	Reference No.	Quantity	Description
0000025582~P	*		E-Part Box Assembly



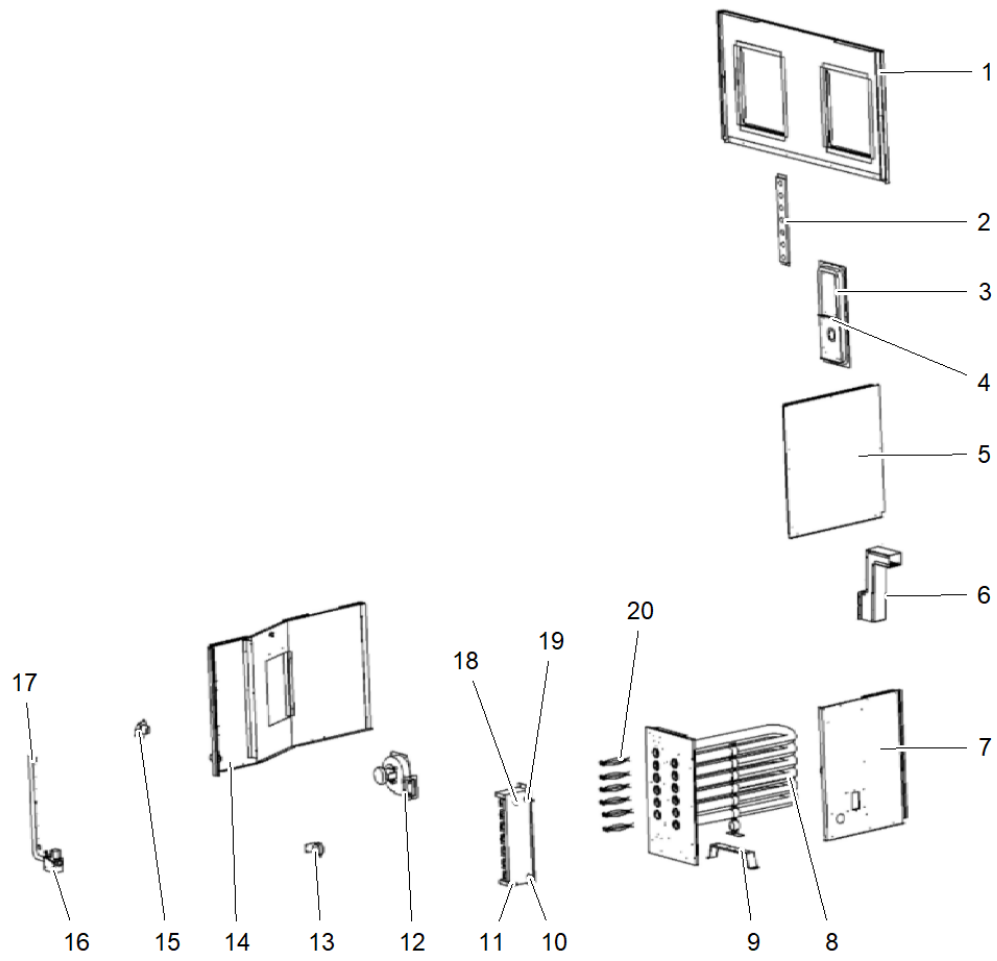
Part No.	Reference No.	Quantity	Description
BOX04392	1	1	BOX; CONTROL BOX ASSEMBLY, GAS
BOX04401	2	1	BOX; CONTROL BOX PANEL, GAS
BRD07440	3	1	BOARD; CONTROL, GAS
WIR11164	4	1	WIRE; STRONG ELECTRIC CABLE GROUP
TRR02816	5	1	TRANSFORMER; 208-240, 60 CYCLE, 40 VA, 1Q
BLK01522	6	1	BLOCK; TERMINAL, GAS
BOX04396	7	1	BOX; CONTROL BOX ASSEMBLY, COOLING
BOX04400	8	1	BOX; CONTROL BOX PANEL, COOLING
CPT02493	9	1	CAPACITOR; RUN; 70UF/450V-P2(2000H)
CPT02523	10	1	CAPACITOR; FAN; 15UF/450V-P2(2000H)
WIR11166	11	1	WIRE; JOINT
WIR11165	12	1	LABEL; TERMINAL WIRING
CTR02987	13	1	CONTACTOR; AC, 24V

Part No.	Reference No.	Quantity	Description
0000025584~P	*		Fan & Blower Assembly



Part No.	Reference No.	Quantity	Description
SUP06891	1	1	GRILLE; FAN
COV06102	2	1	ASSEMBLY; TOP
RNG02733	3	1	RING; FAN ORIFICE
MOT20193	4	1	MOTOR; FAN
FAN06490	5	1	ASSEMBLY; FAN BLADE
PNL38326	6	1	PANEL; INTERNAL
BRD07695	7	1	DECK; FAN BLOWER
PLT07087	8	1	PLATE; BLOWER DECK
CNT08696	9	1	HOUSING; BLOWER
BRK04780	10	3	BRACKET; BLOWER FAN MOTOR
BND00919	11	1	BAND; BLOWER FAN MOTOR BELLY
MOT20192	12	1	MOTOR; BLOWER FAN; BRUSHLESS DC
BRD07694	13	1	BOARD; LINE BLOCK ASSEMBLY

Part No.	Reference No.	Quantity	Description
0000025583~P	*		Heater Assembly



Part No.	Reference No.	Quantity	Description
PNL38320	1	1	PANEL; SUPPLY AND RETURN
PLT07085	2	1	PLATE; DEFLECTOR
HOD01167	3	1	HOOD; GAS COLLECTING
BAF01534	4	1	BAFFLE; EXHAUST
PNL38327	5	1	PANEL; SIDE ACCESS
PIP03403	6	1	PIPE; FLUE
SUP06894	7	1	SUPPORT; PANEL
EXC03050	8	1	EXCHANGER; HEAT EXCHANGER ASSEMBLY
PLT07089	9	1	PLATE; SUPPORT
IGN00286	10	1	IGNITOR
BNR01331	11	1	BURNER; ASM
FLU00409	12	1	FLUE; INDUCER MOTOR
SEN03079	13	1	SENSOR; PRESSURE
BRD07698	14	1	PANEL; PARTITION ASM
THT03307	15	1	SWITCH; TEMPERATURE SWITCH
VAL19924	16	1	VALVE; GAS
PIP03401	17	1	ASSEMBLY; GAS VALVE
CNT07659	18	1	SWITCH; TEMPERATURE CONTROL
SEN02528	19	1	SENSOR; FLAME
CNT08695	20	6	SPOILER

Part No.	Reference No.	Quantity	Description
0000025576~P	*		Model Number Description

MODEL NOMENCLATURE
Ameristar Rooftop Packaged Units

75010175

REV
A

Model Number Example

M 4 P G 3 0 2 4 A 1 0 6 4 A A
1 2 3 4 5 6 7 8 9 10 11 12 13 14 15

Digit 1 = Brand Name
M = Ameristar

Digit 2 = Refrigerant Type
2 = R22
4 = R-410a

Digit 3 = Product Family
P = Packaged Unit

Digit 4 = Product Type
G = Gas Electric
H = Heat Pump

Digit 5 = Nominal Efficiency Rating
3 - 13 SEER
4 - 14 SEER

Digit 6,7,8 = Nominal Capacity
(Btu/h x 1,000)

024 = 24,000 Btu/h
030 = 30,000 Btu/h
036 = 36,000 Btu/h
048 = 48,000 Btu/h
060 = 60,000 Btu/h

Digit 9 = Major Development Sequence
A = First Development Sequence
B = Second Development Sequence
C = Third Development Sequence

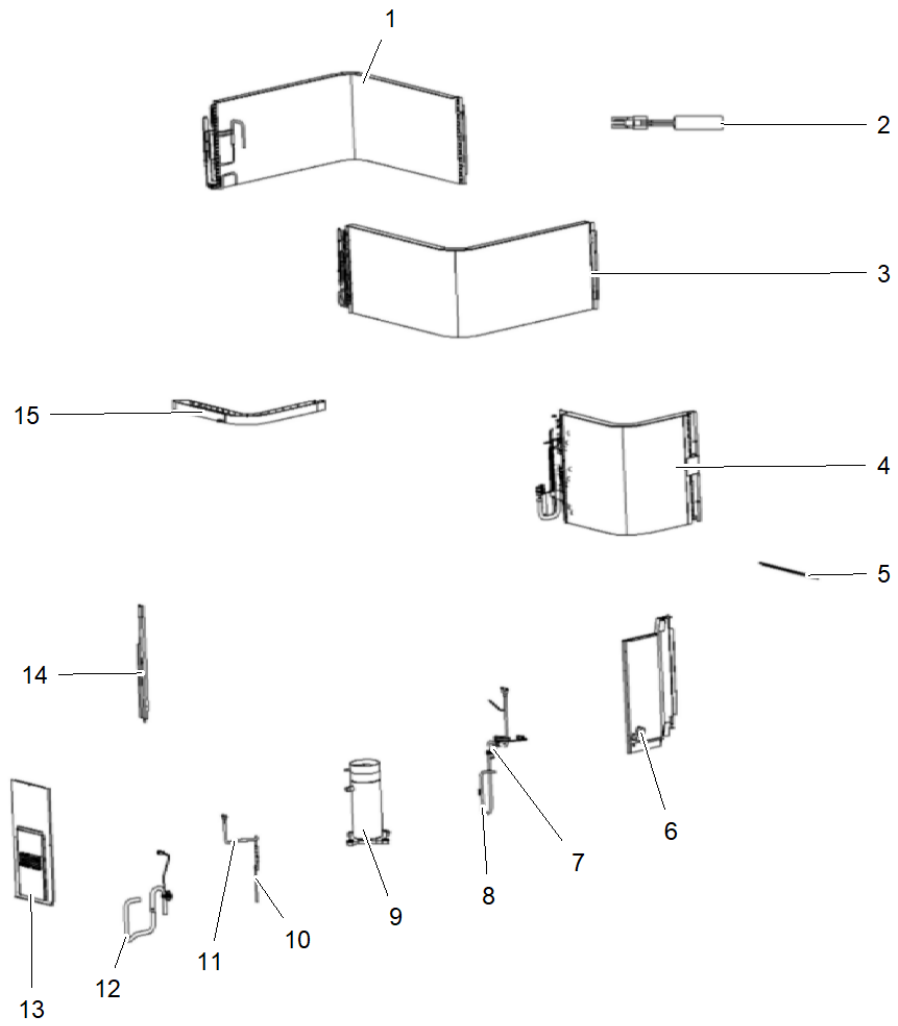
Digit 10 = Electric Power Supply Characteristics
1 = 208-230/60/1

Digit 11, 12, 13 = Nominal Gas Heating Input Capacity
0 = Not currently used (Btu/h x 1,000)

060 = 60,000 Btu/h
064 = 64,000 Btu/h
075 = 75,000 Btu/h
096 = 96,000 Btu/h
120 = 120,000 Btu/h

Digit 14, 15 = Minor Design Sequence/Series-Des. Chg
AA = First Design Sequence

Part No.	Reference No.	Quantity	Description
0000025617~P	*		Refrigeration System Assembly



Part No.	Reference No.	Quantity	Description
CDS02686	1	1	CONDENSER; COIL ASSEMBLY
SEN03082	2	1	SENSOR; DISCHARGE TEMPERATURE
CDS02682	3	1	CONDENSER; COIL ASSEMBLY
PLT07088	5	1	PLATE; SUPPORT
BRD07697	6	1	PANEL; PARTITION ASM
SWT04049	7	1	SWITCH; HIGH PRESSURE
PIP03413	8	1	LINE; DISCHARGE LINE ASSEMBLY
COM12571	9	1	COMPRESSOR; SCROLL
VAL19925	10	1	VALVE; ONE WAY CHECK VALVE
VAL20247	11	1	VALVE; THROTTLE VALVE ASSEMBLY
PIP03408	12	1	LINE; SUCTION LINE ASSEMBLY
PNL38322	13	1	PANEL; BURNER ACCESS
SUP06900	14	1	SUPPORT; BAR
PAN04361	15	1	PAN; DRAIN