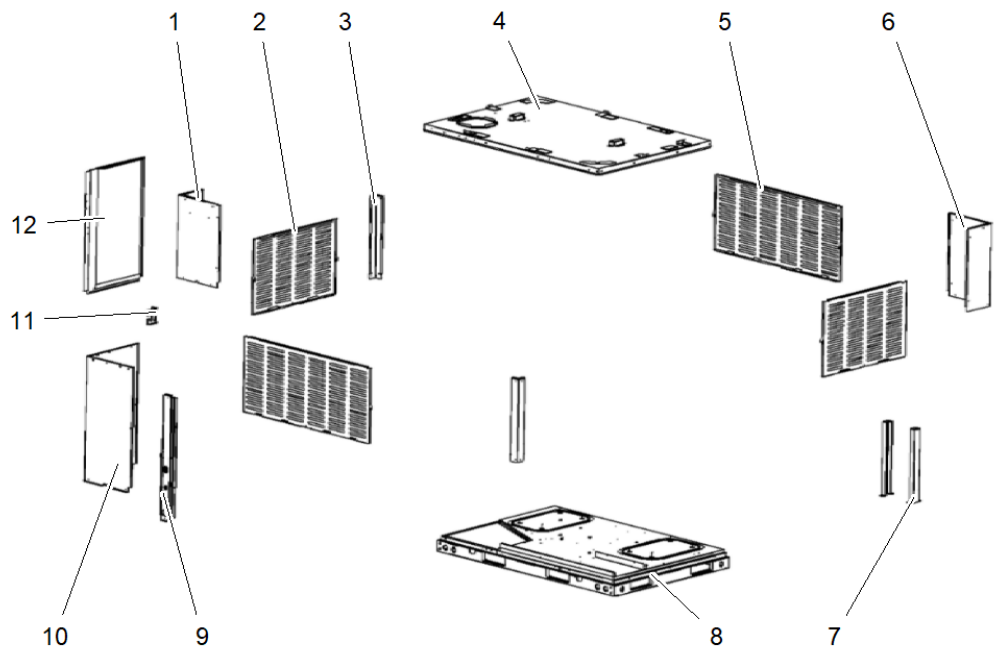


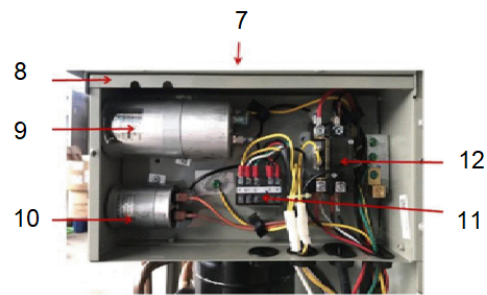
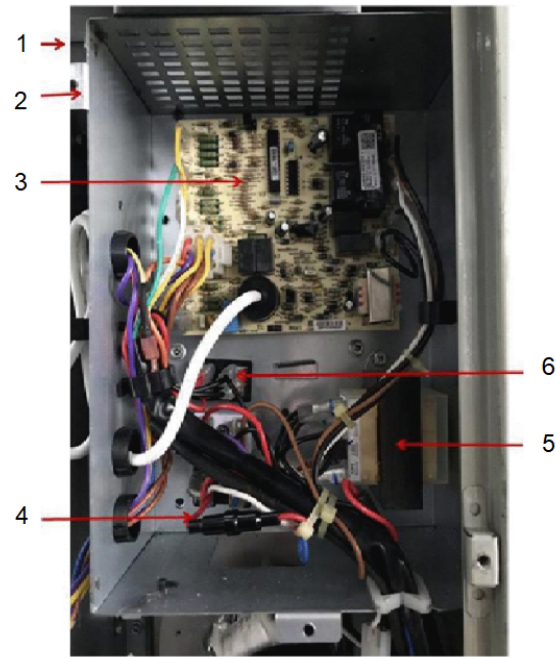
Part No.	Reference No.	Quantity	Description
0000147303~S	*		Cabinet Assembly
0000147301~S	*		E-Part Box Assembly
0000147304~S	*		Fan & Blower Assembly
0000147302~S	*		Heater Assembly
0000147300~S	*		Model Number Description
0000147305~S	*		Refrigeration System Assembly

Part No.	Reference No.	Quantity	Description
0000025578~P	*		Cabinet Assembly



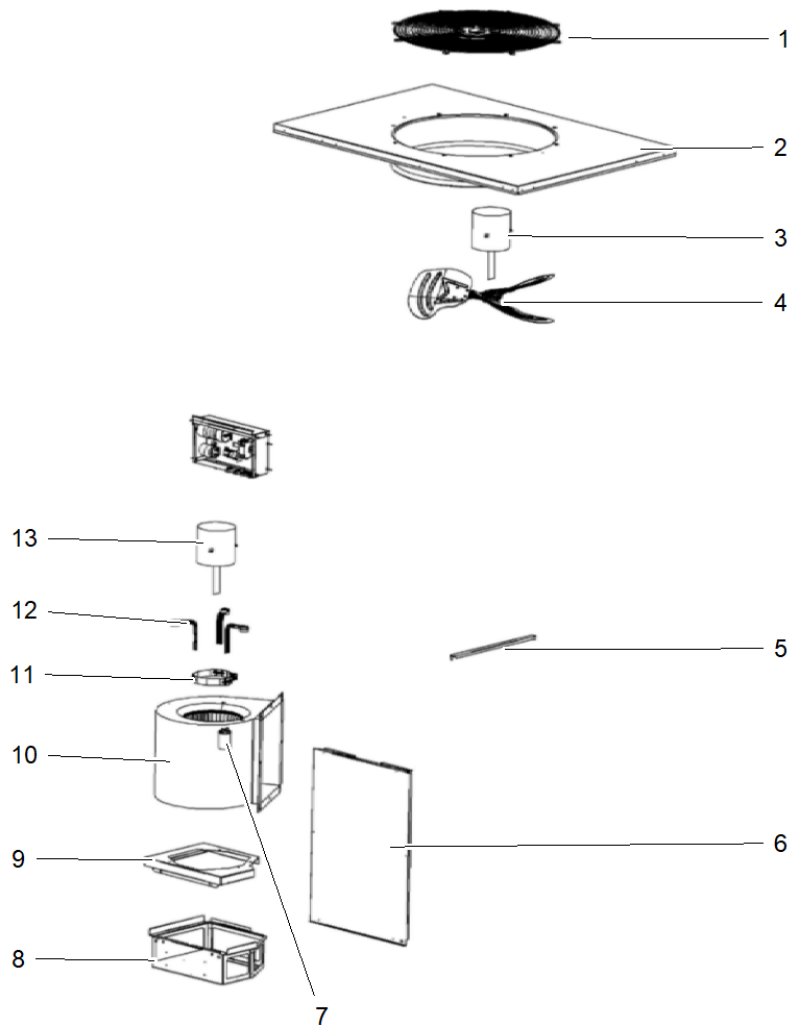
Part No.	Reference No.	Quantity	Description
SUP06905	1	1	SUPPORT; CORNER SUPPORT PANEL
PLT07083	2	2	PANEL; SIDE LOUVER
SUP06893	3	2	SUPPORT; COLUMN
COV06105	4	1	ASSEMBLY; TOP
PLT07082	5	2	PANEL; LOUVER
SUP06899	6	1	SUPPORT; CORNER SUPPORT PANEL
SUP06906	7	2	SUPPORT; COLUMN
WHL03942	8	1	BASE; ASSEMBLY
SUP06904	9	1	SUPPORT; COLUMN
PNL38323	10	1	PANEL; CORNER ACCESS
PNL38329	12	1	PANEL; INTERNAL

Part No.	Reference No.	Quantity	Description
0000025572~P	*		E-Part Box Assembly



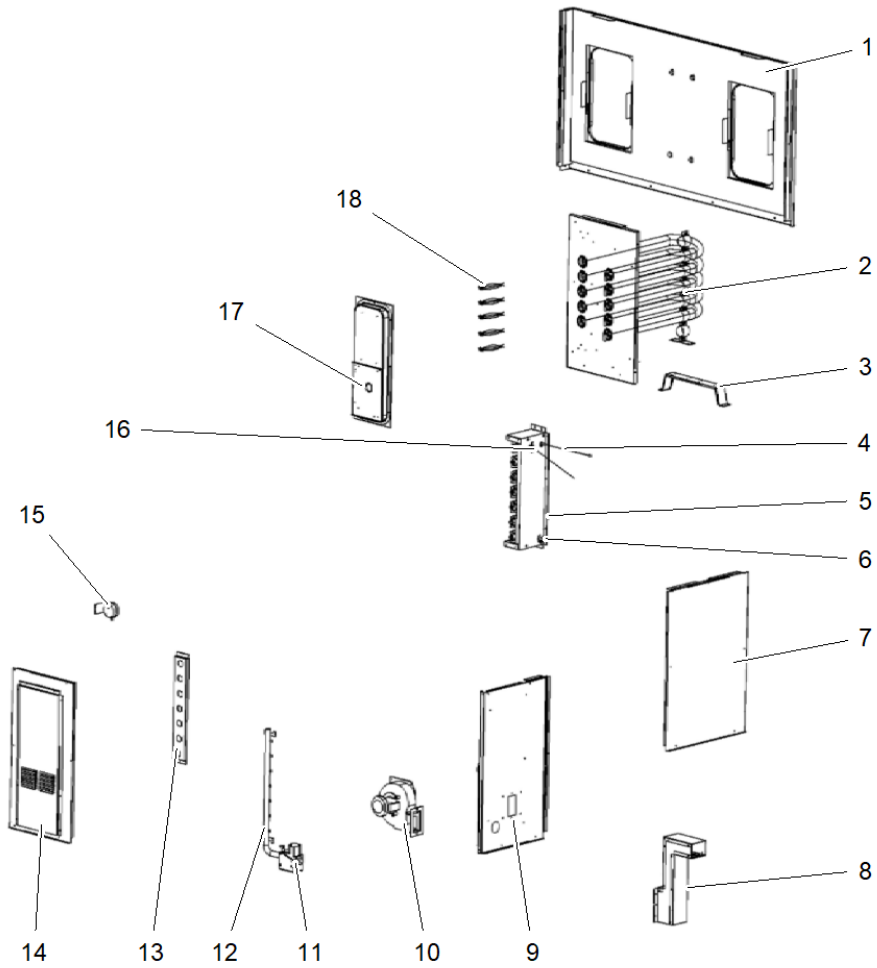
Part No.	Reference No.	Quantity	Description
BOX04394	1	1	BOX; CONTROL BOX ASSEMBLY, GAS
BOX04401	2	1	BOX; CONTROL BOX PANEL, GAS
BRD07440	3	1	BOARD; CONTROL, GAS
WIR11164	4	1	WIRE; STRONG ELECTRIC CABLE GROUP
TRR02816	5	1	TRANSFORMER; 208-240, 60 CYCLE, 40 VA, 1Q
BLK01522	6	2	BLOCK; TERMINAL, GAS
BOX04398	7	1	BOX; CONTROL BOX ASSEMBLY, COOLING
BOX04400	8	1	BOX; CONTROL BOX PANEL, COOLING
CPT02522	9	1	CAPACITOR; RUN; 45UF/450V-P2(2000H)
CPT02520	10	1	CAPACITOR; FAN; 6UF/450V-P2(2000H)
WIR11166	11	1	WIRE; JOINT
CTR02987	12	1	CONTACTOR; AC, 24V

Part No.	Reference No.	Quantity	Description
0000025579~P	*		Fan & Blower Assembly



Part No.	Reference No.	Quantity	Description
SUP06892	1	1	GRILLE; FAN
COV06103	2	1	COVER; TOP WELDING ASM
MOT16173	3	1	MOTOR; FAN
FAN05659	4	1	FAN; FAN BLADE ASSEMBLY
BRD07693	5	1	PLATE; FIXING
PNL38331	6	1	PANEL; INTERNAL
BRD07699	8	1	DECK; BLOWER
PLT07090	9	1	PLATE; BLOWER DECK
FAN06489	10	1	HOUSING; BLOWER ASEMBLY, CENTRIFUGAL
BND00919	11	1	BAND; BLOWER FAN MOTOR BELLY
BRK04780	12	3	BRACKET; BLOWER FAN MOTOR
MOT20191	13	1	MOTOR; BLOWER FAN; BRUSHLESS DC

Part No.	Reference No.	Quantity	Description
0000025577~P	*		Heater Assembly



Part No.	Reference No.	Quantity	Description
HOD01167	*	1	HOOD; GAS COLLECTING
PNL38330	1	1	PANEL; SUPPLY AND RETURN
EXC03051	2	1	EXCHANGER; HEAT EXCHANGER ASSEMBLY
SEN02528	4	1	SENSOR; FLAME
BNR01329	5	1	BURNER; ASM
IGN00286	6	1	IGNITOR
PNL38328	7	1	PANEL;
PIP03403	8	1	PIPE; FLUE
SUP06896	9	1	SUPPORT; PANEL
FLU00409	10	1	FLUE; INDUCER MOTOR
VAL19924	11	1	VALVE; GAS
PIP03402	12	1	ASSEMBLY; GAS VALVE
PLT07085	13	1	PLATE; DEFLECTOR
PNL38324	14	1	PANEL; BURNER BOX ACCESS
SEN02530	15	1	SENSOR; WIND PRESSURE
CNT07659	16	1	SWITCH; TEMPERATURE CONTROL
BAF01535	17	1	BAFFLE; EXHAUST
CNT08695	18	7	SPOILER

Part No.	Reference No.	Quantity	Description
0000025576~P	*		Model Number Description

MODEL NOMENCLATURE
Ameristar Rooftop Packaged Units

75010175

REV
A

Model Number Example

M 4 P G 3 0 2 4 A 1 0 6 4 A A
1 2 3 4 5 6 7 8 9 10 11 12 13 14 15

Digit 1 = Brand Name
M = Ameristar

Digit 2 = Refrigerant Type
2 = R22
4 = R-410a

Digit 3 = Product Family
P = Packaged Unit

Digit 4 = Product Type
G = Gas Electric
H = Heat Pump

Digit 5 = Nominal Efficiency Rating
3 - 13 SEER
4 - 14 SEER

Digit 6,7,8 = Nominal Capacity
(Btu/h x 1,000)

024 = 24,000 Btu/h
030 = 30,000 Btu/h
036 = 36,000 Btu/h
048 = 48,000 Btu/h
060 = 60,000 Btu/h

Digit 9 = Major Development Sequence
A = First Development Sequence
B = Second Development Sequence
C = Third Development Sequence

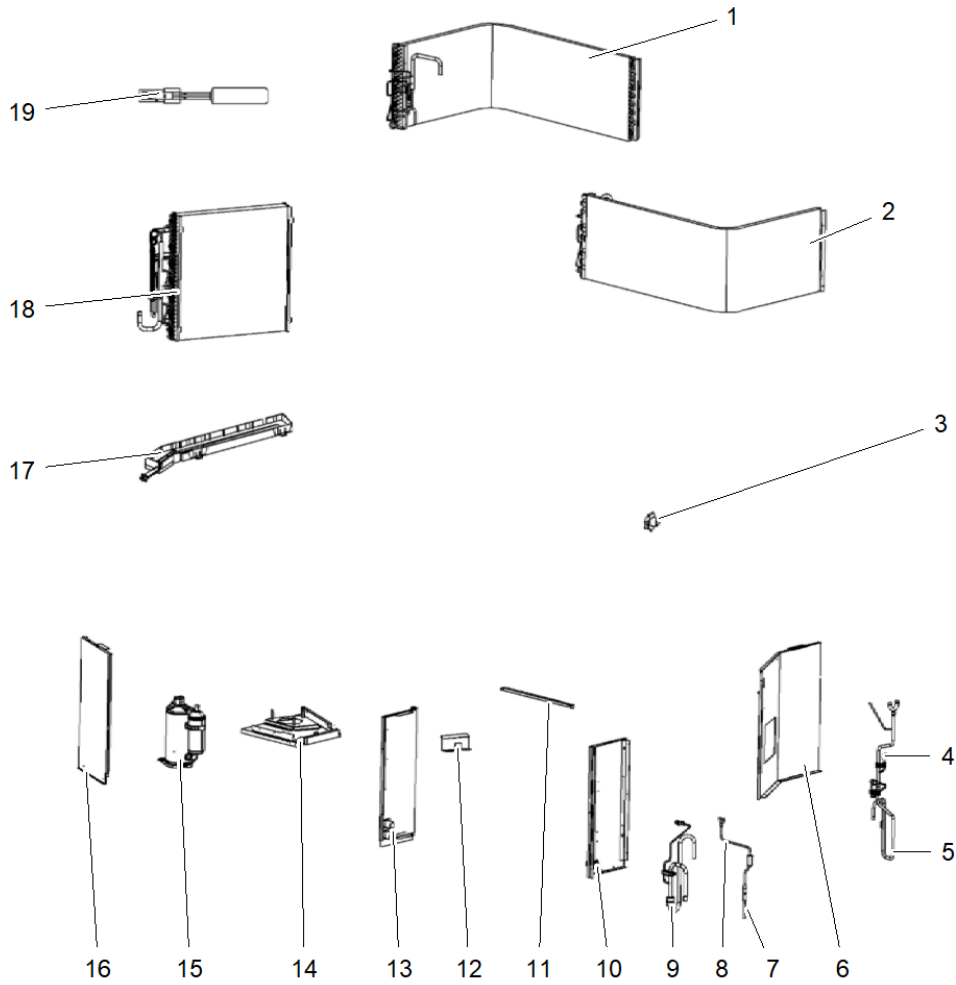
Digit 10 = Electric Power Supply Characteristics
1 = 208-230/60/1

Digit 11, 12, 13 = Nominal Gas Heating Input Capacity
0 = Not currently used (Btu/h x 1,000)

060 = 60,000 Btu/h
064 = 64,000 Btu/h
075 = 75,000 Btu/h
096 = 96,000 Btu/h
120 = 120,000 Btu/h

Digit 14, 15 = Minor Design Sequence/Series-Des. Chg
AA = First Design Sequence

Part No.	Reference No.	Quantity	Description
0000025580~P	*		Refrigeration System Assembly



Part No.	Reference No.	Quantity	Description
CDS02684	1	1	CONDENSER; COIL ASSEMBLY
CDS02683	2	1	CONDENSER; COIL ASSEMBLY
THT03301	3	1	SWITCH; TEMPERATURE SWITCH
SWT04049	4	1	SWITCH; HIGH PRESSURE
PIP03407	5	1	LINE; DISCHARGE LINE ASSEMBLY
BRD07700	6	1	PANEL; PARTITION ASM
VAL20250	7	1	VALVE; THROTTLE ASSEMBLY
VAL20248	8	1	VALVE; THROTTLE ASSEMBLY
PIP03409	9	1	LINE; SUCTION LINE ASSEMBLY
BRD07701	10	1	PANEL; PARTITION ASM
BRD07692	11	1	PLATE; FIXING
PLT07086	12	1	PLATE; WATERPROOF
PLT07091	13	1	PANEL; COIL CONNECTING PANEL ASSEMBLY
BAS03434	14	1	BASE; COMPRESSOR
COM11972	15	1	COMPRESSOR; SCROLL
PLT07092	16	1	PANEL; COIL CONNECTING PANEL ASSEMBLY
PAN04362	17	1	PAN; DRAIN
EVP02897	18	1	EVAPORATOR; COIL ASSEMBLY
SEN03082	19	1	SENSOR; DISCHARGE TEMPERATURE