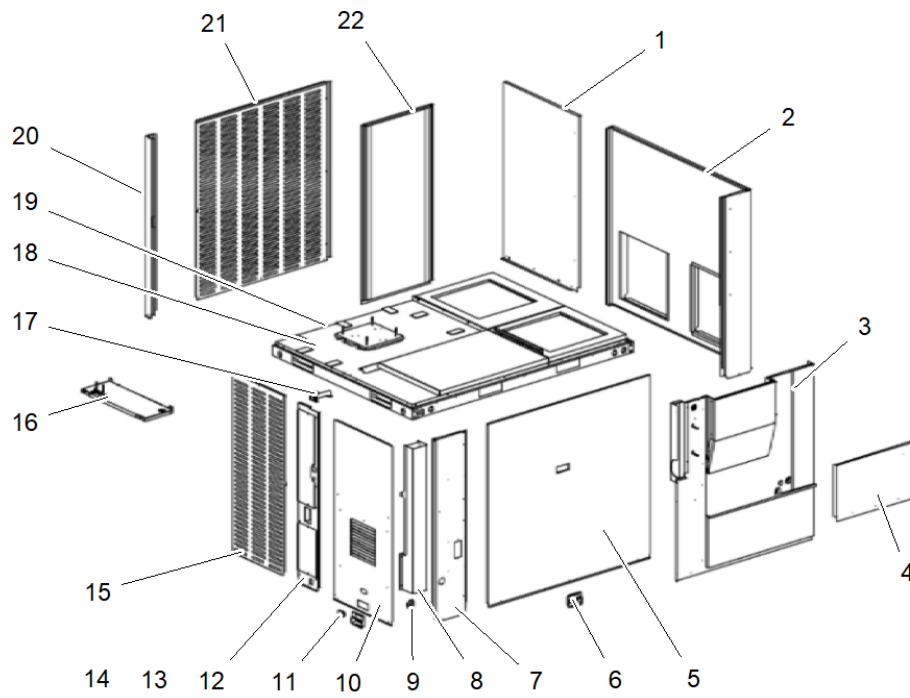


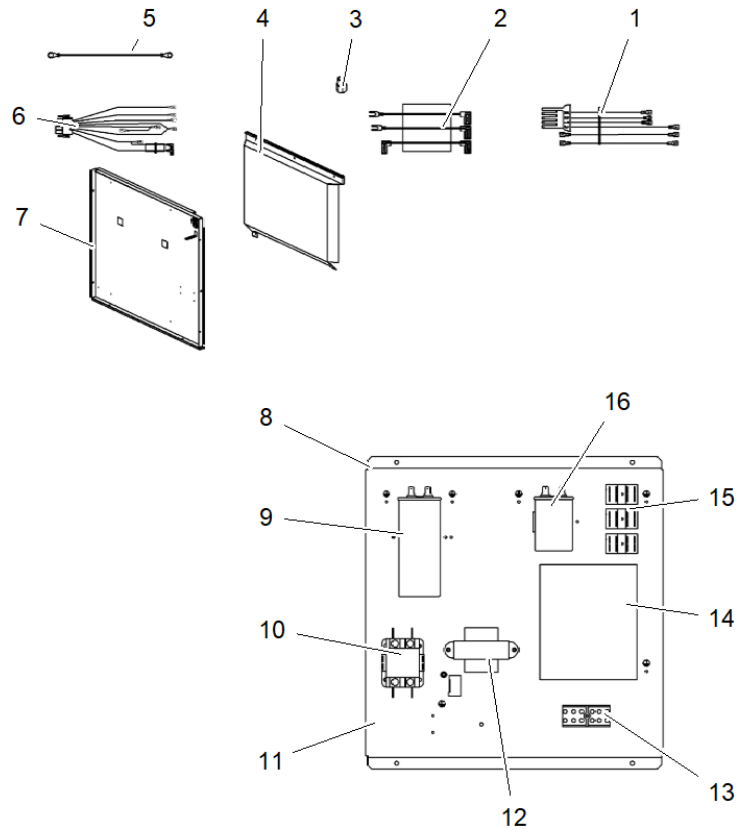
<b>Part No.</b>	<b>Reference No.</b>	<b>Quantity</b>	<b>Description</b>
0000134320~S	*		Cabinet
0000134321~S	*		Control Panel
0000134322~S	*		General Assembly
0000134318~S	*		Model Number Description
0000134319~S	*		Motors and Evaporator

Part No.	Reference No.	Quantity	Description
0000020135~P	*		Cabinet



<b>Part No.</b>	<b>Reference No.</b>	<b>Quantity</b>	<b>Description</b>
PNL33915	1	1	PANEL; PARTITION BOARD ASSY FOR INDOOR AND OUTDOOR
PNL33775	2	1	PANEL; ASSEMBLIES FOR SUPPLY AND RETURN
PNL34460	3	1	PANEL; PARTITION BOARD ASSY FOR INDOOR AND OUTDOOR
PNL33913	4	1	PANEL; PARTITION BOARD ASSY FOR SUPPLY AND RETURN
PNL33864	5	1	PANEL; SIDE COVER BOARD FOR SUPPLY
HDL01325	6	2	HANDLE;
FLU00396	7	1	FLUE; GAS COVER BOARD ASSY
FLU00395	8	1	FLUE; ASSY
RNG02651	9	1	RING; GAS PIPE RUBBER
PNL33850	10	1	PANEL; E-PART BOX FRONT COVER BOARD ASSY
COV05672	11	1	COVER; PLASTIC
PLT06563	13	1	PLATE; SEALING
PLT06094	14	1	PLATE; CONDENSER SEALING
PNL33859	15	1	PANEL; OUTSIDE 2
PNL33910	16	1	PANEL; E-PART BOX PARTITION BOARD ASSY
PIP02793	17	1	PIPE; DRAINAGE PIPE
BAS03182	18	1	BASE; ASSEMBLY
PNL34461	20	1	PANEL; CORNER POST
PNL33867	21	1	PANEL; OUTSIDE ASS'Y 1
PNL33972	22	1	PANEL; SIDE COVER BOARD FOR RETURN

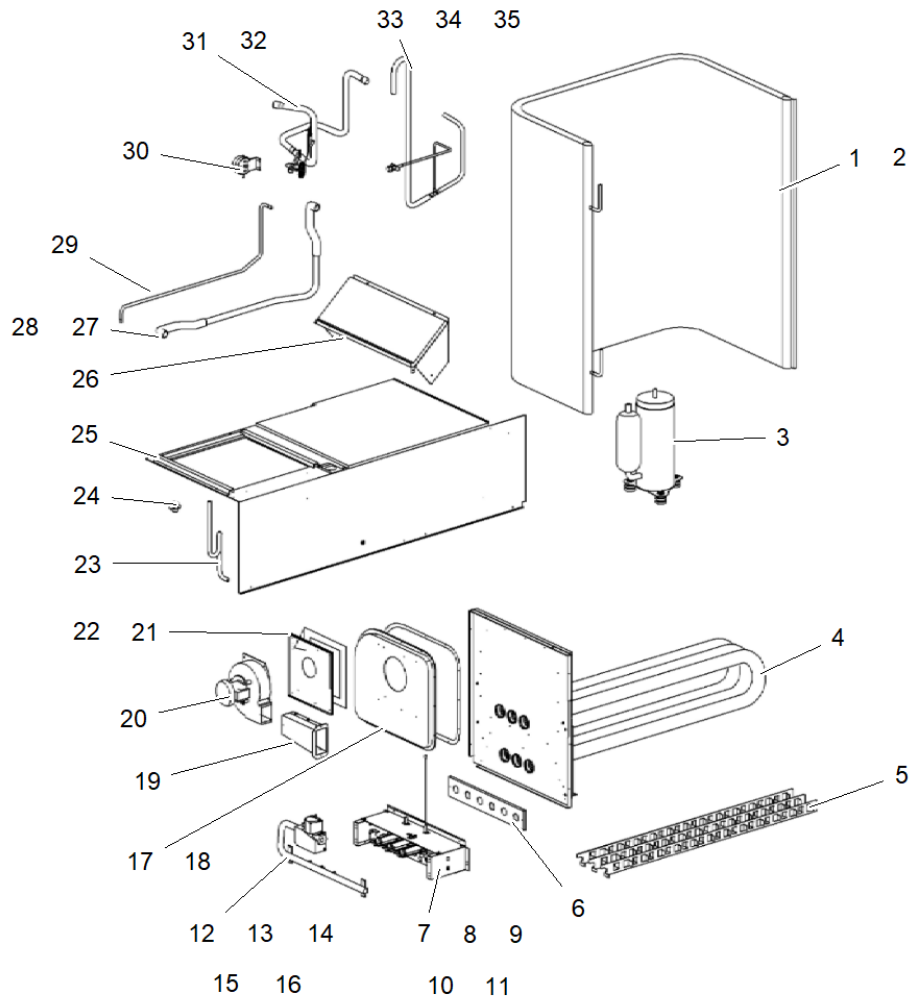
Part No.	Reference No.	Quantity	Description
0000020162~P	*		Control Panel



All orderable Service Parts are identified for this product.  
Parts that are not identified, will not be available to order.  
This is a typical illustration. The unit in the field may not appear exactly as shown.

<b>Part No.</b>	<b>Reference No.</b>	<b>Quantity</b>	<b>Description</b>
WIR08476	1	1	WIRE; INDOOR MOTOR HARNESS
WIR08482	2	1	HARNESS; COMPRESSOR
NOZ01055	3	4	NOZZLE; COPPER
PNL33971	4	1	PANEL; AIR INLET COVER BOARD
WIR09897	5	1	WIRE; GROUND
WIR08484	6	1	WIRE; SIGNAL HARNESS
PNL33911	7	1	PANEL; E-PART BOX INSTALLATION BOARD ASSY
CPT02522	9	1	CAPACITOR; RUN; 45UF/450V-P2(2000H)
RLY03789	10	1	RELAY;
BRD05663	11	1	BOARD; INSTALLATION
TRR02816	12	1	TRANSFORMER; 208-240, 60 CYCLE, 40 VA, 1Q
BLK01523	13	1	BLOCK; TERMINAL 6P
BRD05766	14	1	BOARD; CONTROL, GAS
BLK01522	15	3	BLOCK; TERMINAL, GAS
CPT02520	16	1	CAPACITOR; FAN; 6UF/450V-P2(2000H)

Part No.	Reference No.	Quantity	Description
0000020169~P	*		General Assembly



Part No.	Reference No.	Quantity	Description
COL25548	1	1	COIL; CONDENSER ASSY
COM11911	3	1	COMPRESSOR; SCROLL
TUB14371	4	1	TUBE; HEAT EXCHANGE, ASSY'
PNL33916	5	4	PANEL; SPOILER
MTR01606	6	1	METER; FLOW DEFLECTOR
BNR01246	7	1	BURNER; ASSY
IGN00274	8	1	IGNITER; SPARK PIN
SEN02528	9	1	SENSOR; FLAME
CNT07659	10	1	SWITCH; TEMPERATURE CONTROL
BNR01244	11	4	BURNER;
PIP02363	12	1	PIPE; GAS, ASSY
VAL12466	13	1	VALVE; GAS
NOZ01056	16	4	NOZZLE; COPPER
HOD01143	17	1	HOOD; GAS-COLLECTING
PAD01555	18	1	PAD; GAS-COLLECTING HOOD
FLU00399	19	1	FLUE; VENT CONNECTS TO COMBUSTION MOTOR ASSEMBLY
FLU00409	20	1	FLUE; INDUCER MOTOR
BAF01495	21	1	BAFFLE; EXHAUST
GKT05006	22	1	GASKET; EXHAUST BAFFLE
PIP02869	23	1	PIPE; DRAINAGE, INTERNAL
CNT07660	24	1	CONTROL; TEMPERATURE CONTROLLER 2
DUC01524	25	1	DUCT; AIR ASSY
PNL33912	26	1	PANEL; PARTITION BOARD II ASSY FOR SUPPLY AND RETURN
PIP02870	27	1	PIPE; DRAINAGE, INTERNAL
PIP03012	28	2	PIPE; CONNECTING
SEN02530	30	1	SENSOR; WIND PRESSURE
CON01936	31	1	CONNECTOR; LOW PRESSURE ASSY
CON02074	32	1	CONNECTOR; METER
PIP02370	33	1	PIPE; COMPRESSOR DISCHARGE ASSY
CON01932	34	1	CONNECTOR; HIGH PRESSURE METER ASSY
CON02074	35	1	CONNECTOR; METER

Part No.	Reference No.	Quantity	Description
0000020127~P	*		Model Number Description

MODEL NUMBER DESCRIPTION

75014454

REV  
A

Example Model Number:

**M 4 P G 4 0 2 4 A 1 0 6 0 B A**  
**1 2 3 4 5 6 7 8 9 10 11 12 13 14 15**

Digit 1 = Brand Name

M = Ameristar

Digit 2 = Refrigerant Type

4 = R-410a

Digit 3 = Product Family

P = Packaged Unit

Digit 4 = Product Type

G = Gas Electric

Digit 5 = Nominal Efficiency Rating

4 = 14 SEER

Digit 6, 7,8 = Nominal Capacity

(Btu/h x 1,000)

024 = 24,000 Btu/h

030 = 30,000 Btu/h

036 = 36,000 Btu/h

042 = 42,000 Btu/h

048 = 48,000 Btu/h

060 = 60,000 Btu/h

Digit 9 = Major Development Sequence

A = First Development Sequence

Digit 10 = Electric Power Supply Characteristics

1 = 208-230/60/1

Digit 11, 12, 13 = Nominal Gas Heating Input Capacity

0 = Not currently used

(Btu/h x 1,000)

060 = 60,000 Btu/h

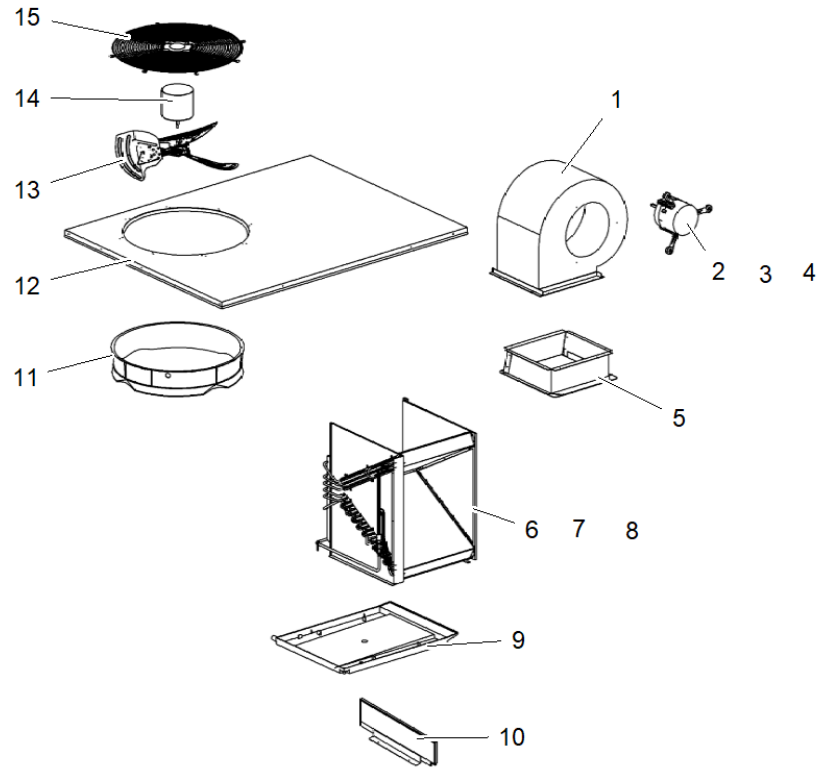
090 = 90,000 Btu/h

130 = 130,000 Btu/h

Digit 14, 15 = Minor Design Sequence/Series-Des. Chg

BA = Second Design Sequence

Part No.	Reference No.	Quantity	Description
0000020138~P	*		Motors and Evaporator



All orderable Service Parts are identified for this product.  
Parts that are not identified, will not be available to order.  
This is a typical illustration. The unit in the field may not appear exactly as shown.

<b>Part No.</b>	<b>Reference No.</b>	<b>Quantity</b>	<b>Description</b>
FAN05667	1	1	FAN; CENTRIFUGAL
MOT16176	2	1	MOTOR;
BRK04781	3	4	BRACKET; MOTOR BRACKET ASSY
BND00921	4	1	BRACKET; MOTOR
DUC01576	5	1	DUCT; COMPONENTS
COL25547	6	1	COIL; EVAPORATOR ASSY
PIP02795	7	1	PIPE; EVAPORATOR INPUT PIPE ASSEMBLY
VAL12469	8	1	VALVE; ONE WAY THROTTLE
PAN03995	9	1	PAN; DRAIN
RNG02451	11	1	RING; ORIFICE
PNL33858	12	1	PANEL; TOP COVER ASSY
FAN05662	13	1	FAN; FAN BLADE ASSEMBLY
MOT14554	14	1	MOTOR; FAN; 1/6 HP, 208-230V, 60 HZ, DEEP GROOVE BALL BEARING
GRL02052	15	1	GRILLE; FAN