

Part No.	Reference No.	Quantity	Description
75010202#M4PGUP1-S	*		GENERAL ASSEMBLY GAS ELECTRIC
M4PGUP1_M4PGUP1_144893-P	*		M4PGUP1 PARTS LIST
75010175#M4PGUP1-S	*		MODEL NOMENCLATURE

NO GRAPHIC AVAILABLE

75013702

REV
A

**NO
GRAPHIC
AVAILABLE**

MODEL NOMENCLATURE
Ameristar Rooftop Packaged Units

75010175

REV
A

Model Number Example

M 4 P G 3 0 2 4 A 1 0 6 4 A A
1 2 3 4 5 6 7 8 9 10 11 12 13 14 15

Digit 1 = Brand Name
M = Ameristar

Digit 2 = Refrigerant Type
2 = R22
4 = R-410a

Digit 3 = Product Family
P = Packaged Unit

Digit 4 = Product Type
G = Gas Electric
H = Heat Pump

Digit 5 = Nominal Efficiency Rating
3 - 13 SEER
4 - 14 SEER

Digit 6,7,8 = Nominal Capacity
(Btu/h x 1,000)

024 = 24,000 Btu/h
030 = 30,000 Btu/h
036 = 36,000 Btu/h
048 = 48,000 Btu/h
060 = 60,000 Btu/h

Digit 9 = Major Development Sequence
A = First Development Sequence
B = Second Development Sequence
C = Third Development Sequence

Digit 10 = Electric Power Supply Characteristics
1 = 208-230/60/1

Digit 11, 12, 13 = Nominal Gas Heating Input Capacity
0 = Not currently used (Btu/h x 1,000)

060 = 60,000 Btu/h
064 = 64,000 Btu/h
075 = 75,000 Btu/h
096 = 96,000 Btu/h
120 = 120,000 Btu/h

Digit 14, 15 = Minor Design Sequence/Series-Des. Chg
AA = First Design Sequence

MODEL NOMENCLATURE

Parts List Number :M4PGUP1#M4PGUP1

Model Number :M4PG3030A1064AA

Part No.	Reference No.	Quantity	Description
75010175_M4PGUP1_144894~P	*		MODEL NOMENCLATURE PARTS LIST

MODEL NOMENCLATURE
Ameristar Rooftop Packaged Units

75010175

REV
A

Model Number Example
M 4 P G 3 0 2 4 A 1 0 6 4 A A
1 2 3 4 5 6 7 8 9 10 11 12 13 14 15

Digit 1 = Brand Name
M = Ameristar

Digit 2 = Refrigerant Type
2 = R22
4 = R-410a

Digit 3 = Product Family
P = Packaged Unit

Digit 4 = Product Type
G = Gas Electric
H = Heat Pump

Digit 5 = Nominal Efficiency Rating
3 - 13 SEER
4 - 14 SEER

Digit 6,7,8 = Nominal Capacity
(Btu/h x 1,000)

024 = 24,000 Btu/h
030 = 30,000 Btu/h
036 = 36,000 Btu/h
048 = 48,000 Btu/h
060 = 60,000 Btu/h

Digit 9 = Major Development Sequence
A = First Development Sequence
B = Second Development Sequence
C = Third Development Sequence

Digit 10 = Electric Power Supply Characteristics
1 = 208-230/60/1

Digit 11, 12, 13 = Nominal Gas Heating Input Capacity
0 = Not currently used (Btu/h x 1,000)

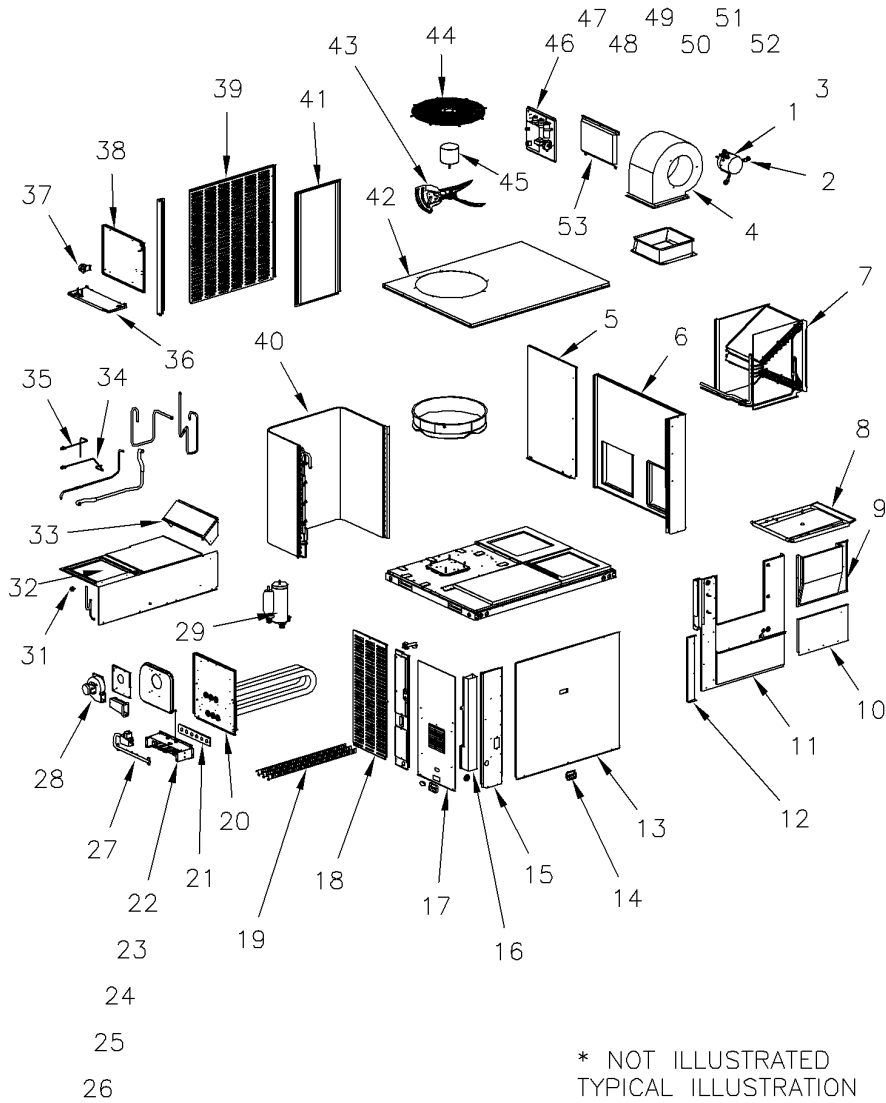
060 = 60,000 Btu/h
064 = 64,000 Btu/h
075 = 75,000 Btu/h
096 = 96,000 Btu/h
120 = 120,000 Btu/h

Digit 14, 15 = Minor Design Sequence/Series-Des. Chg
AA = First Design Sequence

GENERAL ASSEMBLY

75010202

REV
A

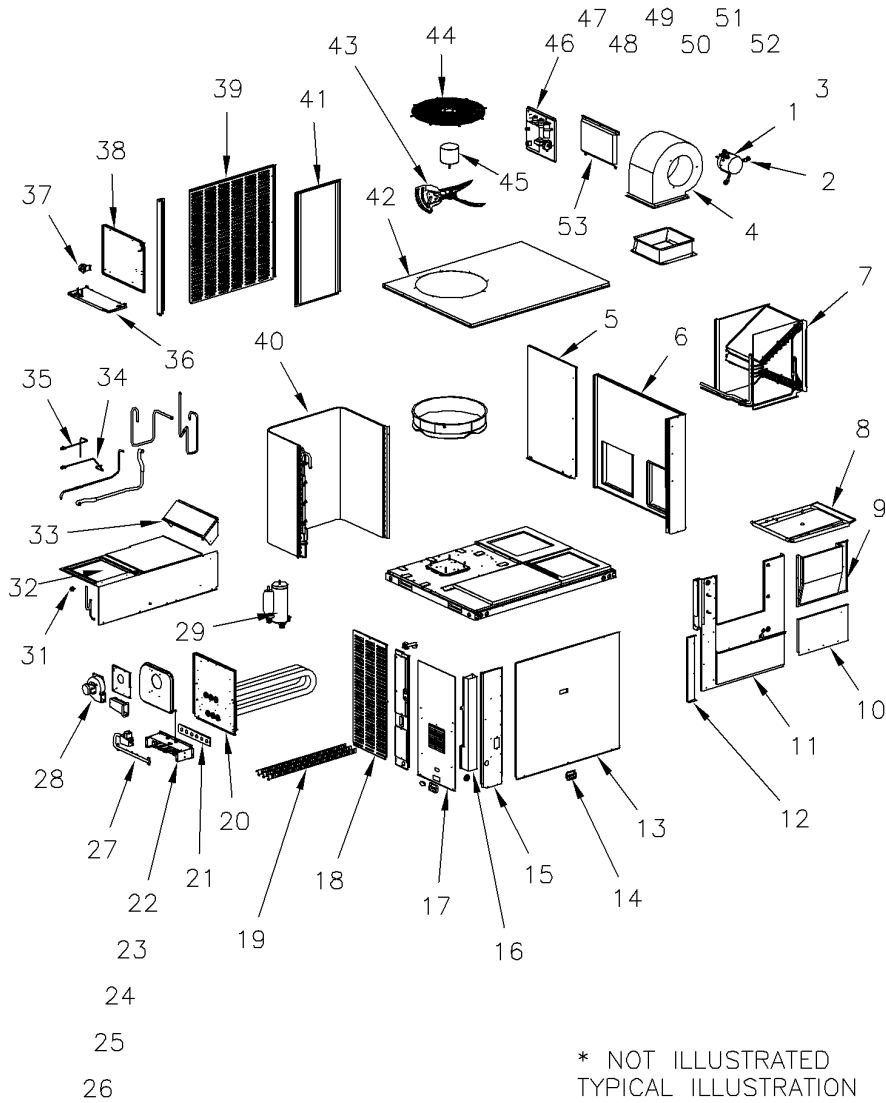


Part No.	Reference No.	Quantity	Description
75010202_M4PGUP1_206390~P	*		GENERAL ASSEMBLY GAS ELECTRIC PARTS LIST

GENERAL ASSEMBLY

75010202

REV
A



Part No.	Reference No.	Quantity	Description
MOT16177	1	1	MOTOR;
BRK04184	2	3	BRACKET; MOTOR ARM
BND00909	3	1	BAND; MOTOR BELLY
FAN05037	4	1	FAN; CENTRIFUGAL
PNL29869	5	1	PANEL; PARTITION BOARD ASSY FOR INDOOR AND OUTDOOR
PNL29902	6	1	PANEL; ASSEMBLIES FOR SUPPLY AND RETURN
COL20578	7	1	COIL; EVAPORATOR ASSY
PAN03417	8	1	PAN; DRAIN
PNL29863	9	1	PANEL; PARTITION BOARD ASSY FOR INDOOR AND OUTDOOR
PNL29867	10	1	PANEL; PARTITION BOARD ASSY FOR SUPPLY AND RETURN
PNL29868	11	1	PANEL; PARTITION BOARD ASSY FOR INDOOR AND OUTDOOR
BRD04906	12	1	BOARD; MIDDLE PARTITION BOARD
PNL29900	13	1	PANEL; SIDE COVER BOARD FOR SUPPLY
HDL01259	14	2	HANDLE;
FLU00363	15	1	FLUE; GAS COVER BOARD ASSY
FLU00362	16	1	FLUE; ASSY
PNL29903	17	1	PANEL; E-PART BOX FRONT COVER BOARD ASSY'
PNL29904	18	1	PANEL; SIDE COVER BOARD 2
PNL29870	19	3	PANEL; SPOILER
TUB13465	20	1	TUBE; HEAT EXCHANGE, ASSY'
MTR01439	21	1	METER; FLOW DEFLECTOR
BNR01226	22	1	BURNER; ASSY
ARM00956	23	1	ARM; FIRING PIN
SEN02195	24	1	SENSOR; FLAME SENSOR
CNT07058	25	1	CONTROL; TEMPERATURE CONTROLLER 1
BNR01227	26	3	BURNER;
PIP01605	27	1	PIPE; GAS, ASSY
FLU00361	28	1	FLUE; GAS FAN MOTOR ASSY
COM11515	29	1	COMPRESSOR;
CNT07057	31	1	CONTROL; TEMPERATURE CONTROLLER 2
DUC01458	32	1	DUCT; AIR ASSY
PNL29866	33	1	PANEL; PARTITION BOARD II ASSY FOR SUPPLY AND RETURN
CON01669	34	1	CONNECTOR; HIGH PRESSURE METER ASSY
PNL29864	36	1	PANEL; E-PART BOX PARTITION BOARD ASSY
SEN02198	37	1	SENSOR; WIND PRESSURE SENSOR
PNL29865	38	1	PANEL; E-PART BOX INSTALLATION BOARD ASSY
PNL29905	39	1	PANEL; SIDE COVER BOARD 1
COL20577	40	1	COIL; CONDENSER ASSY
PNL29901	41	1	PANEL; SIDE COVER BOARD FOR RETURN
PNL29899	42	1	PANEL; TOP COVER ASSY'
FAN05039	43	1	FAN; AXIAL FLOW
GRL01832	44	1	GRILLE; TOP COVER
MOT14554	45	1	MOTOR; FAN; 1/6 HP, 208-230V, 60 HZ, DEEP GROOVE BALL BEARING
CTR02652	46	1	CONTACTOR; AC, 24V
TRR02547	47	1	TRANSFORMER; 208-240, 60 CYCLE, 40 VA, 1Q
BLK01433	48	1	BLOCK; TERMINAL 6P
CPT02064	49	1	CAPACITOR; MOTOR; 10UF, 450VAC 50/60HZ
CPT02056	50	1	CAPACITOR; MOTOR, 6UF (MFD), 450VAC 50/60HZ
CPT02398	51	1	CAPACITOR; COMPRESSOR
BRD04907	52	1	BOARD; ELECTRIC MOTHERBOARD
PNL29898	53	1	PANEL; AIR INLET COVER BOARD