

Parts List Number :0000099759

Model Number :M4MLW1824A1N0AA

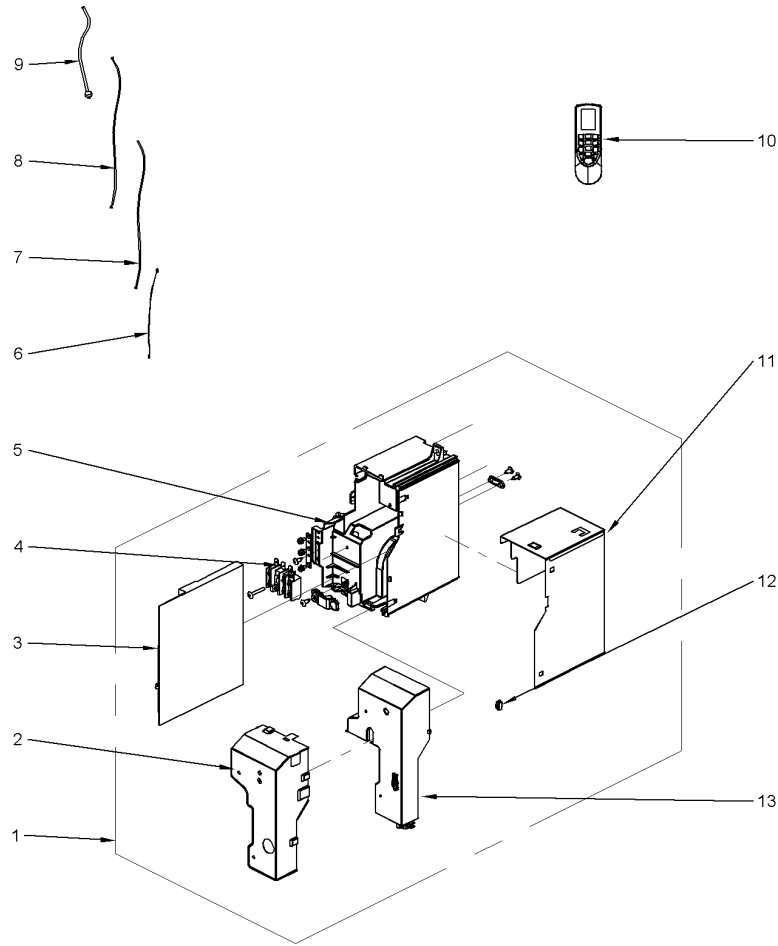
Part No.	Reference No.	Quantity	Description
0000100081~S	*		CONTROLS & WIRES
0000100080~S	*		GENERAL ASSEMBLY
0000100082~S	*		MODEL NUMBER DESCRIPTION

Part No.	Reference No.	Quantity	Description
000009174~P	*		CONTROLS & WIRES PARTS LIST

CONTROLS & WIRES
INDOOR LOW AMBIENT HIGH WALL
2.0 TON

75012298

REV.
A



All orderable Service Parts are identified for this product.

Parts that are not identified, will not be available to order.

This is a typical illustration. The unit in the field may not appear exactly as shown.

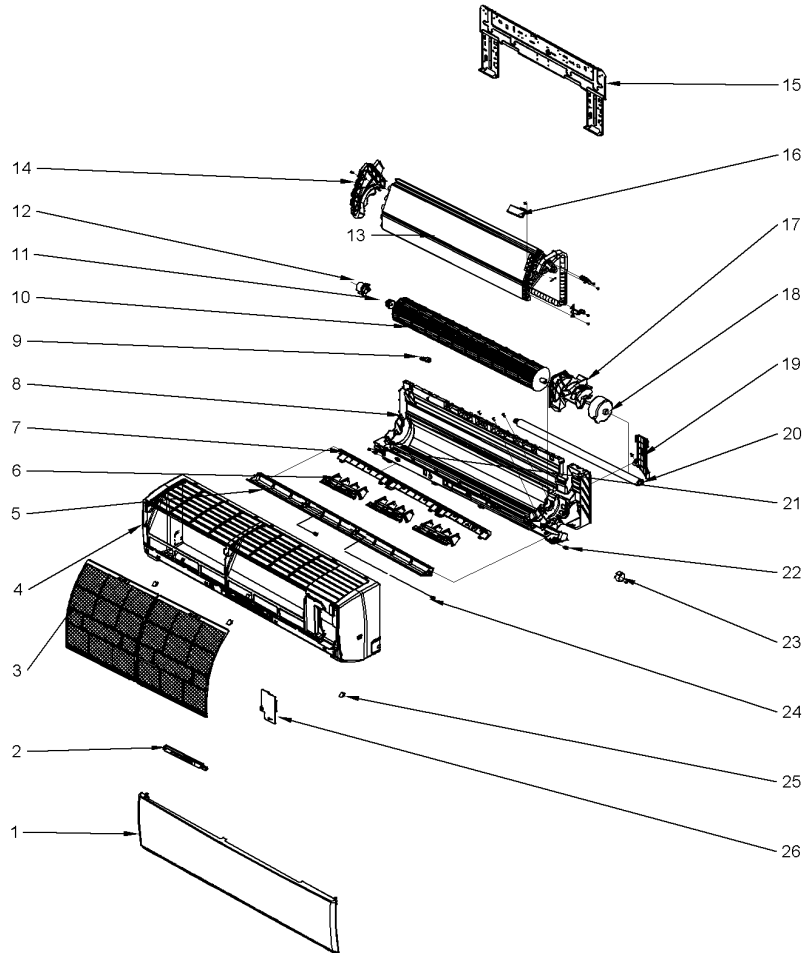
Part No.	Reference No.	Quantity	Description
BOX03410	1	1	BOX; ELECTRIC ASSEMBLY
COV05434	2	1	COVER; ELECTRIC BOX (METAL)
BRD06403	3	1	BOARD; MAIN BOARD
BRD02648	4	1	BOARD; TERMINAL,
BOX02965	5	1	BOX; ELECTRIC
SEN02447	6	1	SENSOR; TEMPERATURE
CNT07852	10	1	CONTROL; REMOTE INCLUDES HOLDER
BOX02964	11	1	BOX; LOWER SHIELD
CAP01367	12	1	CAP; JUMPER
COV05102	13	1	COVER; ELECTRIC BOX (PLASTIC)

Part No.	Reference No.	Quantity	Description
000009170~P	*		GENERAL ASSEMBLY PARTS LIST

GENERAL ASSEMBLY
INDOOR LOW AMBIENT HIGH WALL
2.0 TON

75012297

REV.
A



All orderable Service Parts are identified for this product.
Parts that are not identified, will not be available to order.
This is a typical illustration. The unit in the field may not appear exactly as shown.

Part No.	Reference No.	Quantity	Description
PNL34619	1	1	PANEL; FRONT
BRD05637	2	1	BOARD; DISPLAY
FLR08324	3	2	FILTER; SUB-ASSY
PNL33741	4	1	PANEL; FRONT CASE ASSEMBLY
LVR01188	5	1	LOUVER; GUIDE
LVR01199	6	3	LOUVER; AIR (MANUAL)
BRK04750	7	1	BRACKET; AIR OUTLET SUB ASSEMBLY
CAS02084	8	1	CASE; REAR ASSEMBLY
PLU01245	9	1	PLUG; DRAIN PAN
FAN05632	10	1	FAN; CROSS FLOW
GKT04728	11	1	GASKET; O RING, BEARING
BRG01961	12	1	BEARING; RING
COL28283	13	1	COIL; EVAPORATOR ASSY
SUP06160	14	1	SUPPORT; COIL
FRM02297	15	1	FRAME; WALL MOUNTING
PLT05944	17	1	PLATE; MOTOR MOUNTING
MOT17353	18	1	MOTOR; FAN
COV05142	19	1	COVER; REFRIGERANT PIPE
HSE01638	20	1	HOSE; DRAINAGE HOSE
BUS02159	21	1	BUSHING; LEFT AXILE
LVR01187	22	1	LOUVER; SIDE GUIDE
MOT17358	23	1	MOTOR; STEPPER
BUS02047	24	2	BUSHING; AXILE
COV05145	25	3	COVER; SCREW
COV05103	26	1	COVER; TERMINAL

Part No.	Reference No.	Quantity	Description
000009276~P	*		MODEL NUMBER GRAPHIC

NOMENCLATURE
INDOOR LOW AMBIENT HIGH WALL

75012307

REV.
A

Model Number Example

M 4 M L W 1 8 0 9 A 1 N 1 A A
1 2 3 4 5 6 7 8 9 10 11 12 13 14 15

Digit 1 = Brand Name
M = Ameristar

Digit 2 = Refrigerant
2 = R22
4 = R410A

Digit 3 = Indoor/Outdoor
M = Indoor

Digit 4 = Unit Type
HP = Heat Pump
L = Low Ambient

Digit 5 = System Type
W = High Wall

Digit 6-7 = Efficiency Tier (SEER)
18 - 18 SEER

Digit 8-9 = Nominal Capacity
09 = .75 ton
12 = 1.0 ton
18 = 1.5 ton
24 = 2.0 ton

Digit 10 = Major Development Sequence
Alphabet Letter; "A" through "Z"

Digit 11 = Electric Power Supply Characteristics
1 = 200-230V/1PH/60Hz or 208-230V/1PH/60Hz

Digit 12 = Region of Sale
N = North American Market

Digit 13,14,15 = Minor Design Sequence - Design Change
Alphabet Letter; "A" through "Z"

All orderable Service Parts are identified for this product.

Parts that are not identified, will not be available to order.

This is a typical illustration. The unit in the field may not appear exactly as shown.

