

Parts List Number :0000099759

Model Number :M4MLW1809A1N0AA

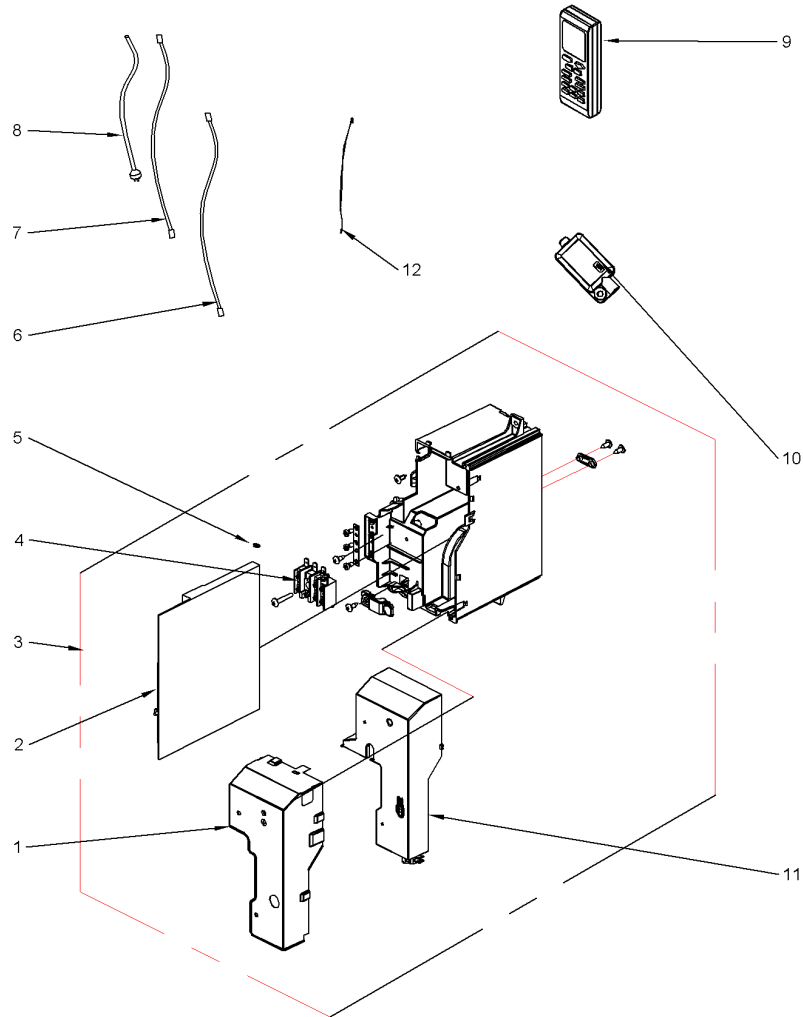
Part No.	Reference No.	Quantity	Description
0000100081~S	*		CONTROLS & WIRES
0000100080~S	*		GENERAL ASSEMBLY
0000100082~S	*		MODEL NUMBER DESCRIPTION

Part No.	Reference No.	Quantity	Description
000009171~P	*		CONTROLS & WIRES PARTS LIST

CONTROLS & WIRES
INDOOR LOW AMBIENT HIGH WALL
3/4 & 1.0 TON

75012294

REV.
A



All orderable Service Parts are identified for this product.

Parts that are not identified, will not be available to order.

This is a typical illustration. The unit in the field may not appear exactly as shown.

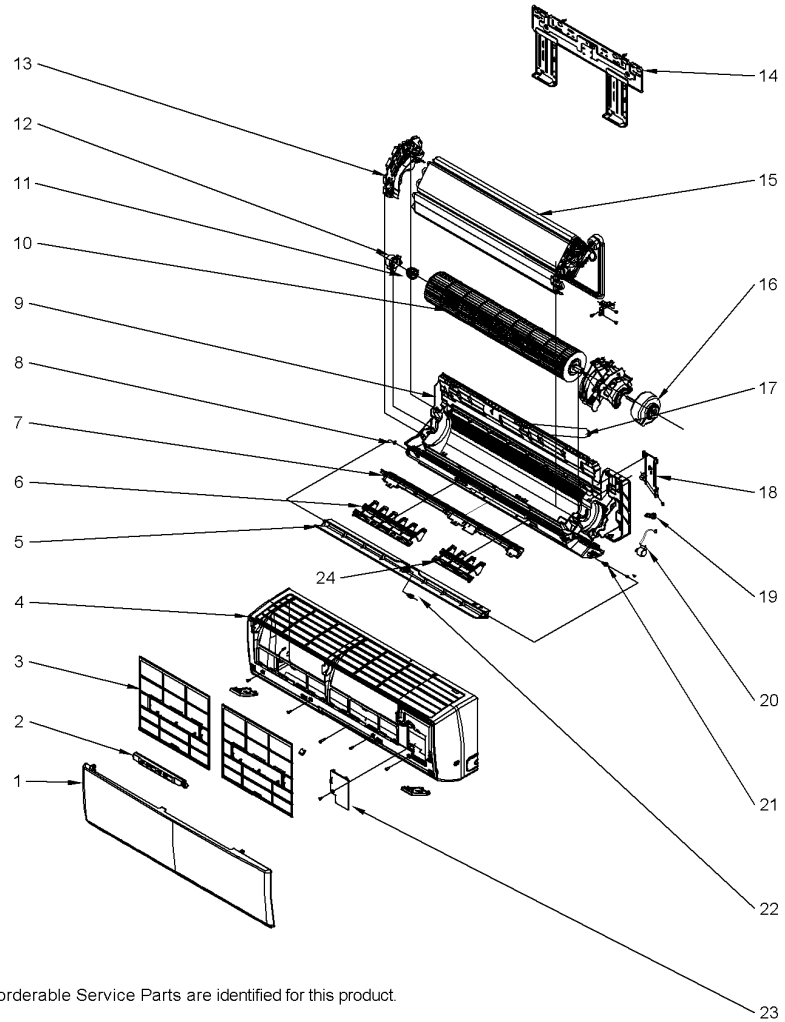
Part No.	Reference No.	Quantity	Description
COV05100	1	1	COVER; ELECTRIC BOX (METAL)
BRD06400	2	1	BOARD; MAIN BOARD
BOX03413	3	1	BOX; ELECTRIC ASSEMBLY
BRD02648	4	1	BOARD; TERMINAL,
CAP01322	5	1	CAP; JUMPER
CNT07852	9	1	CONTROL; REMOTE INCLUDES HOLDER
BOX02963	11	1	BOX; ELECTRIC COVER
SEN02447	12	1	SENSOR; TEMPERATURE

Part No.	Reference No.	Quantity	Description
000009191~P	*		GENERAL ASSEMBLY PARTS LIST

GENERAL ASSEMBLY
INDOOR LOW AMBIENT HIGH WALL
3/4 & 1.0 TON

75012293

REV.
A



All orderable Service Parts are identified for this product.
Parts that are not identified, will not be available to order.
This is a typical illustration. The unit in the field may not appear exactly as shown.

Part No.	Reference No.	Quantity	Description
PNL34616	1	1	PANEL; FRONT
BRD05637	2	1	BOARD; DISPLAY
FLR08360	3	2	FILTER; MESH
PNL33744	4	1	PANEL; FRONT CASE ASSEMBLY
LVR01249	5	1	LOUVER; GUIDE
LVR01247	6	1	LOUVER; AIR LOUVER 1
BRK04748	7	1	BRACKET; AIR OUTLET
BUS02159	8	1	BUSHING; LEFT AXILE
PNL33745	9	1	PANEL; REAR CASE ASSEMBLY
FAN05633	10	1	FAN; CROSS FLOW
GKT04728	11	1	GASKET; O RING, BEARING
BRG01960	12	1	BEARING; RING
SUP06162	13	1	SUPPORT; COIL
FRM02298	14	1	FRAME; WALL MOUNTING
COL27453	15	1	COIL; EVAP
MOT16743	16	1	MOTOR; FAN
HSE01922	17	1	HOSE; DRAINAGE HOSE
COV05141	18	1	COVER; REFRIGERANT PIPE
PLU01245	19	1	PLUG; DRAIN PAN
MOT14616	20	1	MOTOR; STEPPER
LVR01187	21	1	LOUVER; SIDE GUIDE
BUS02047	22	1	BUSHING; AXILE
BOX02991	23	1	BOX; ELECTRIC COVER SUB ASSEMBLY
LVR01245	24	1	LOUVER; SWING

Part No.	Reference No.	Quantity	Description
000009276~P	*		MODEL NUMBER GRAPHIC

NOMENCLATURE
INDOOR LOW AMBIENT HIGH WALL

75012307

REV.
A

Model Number Example

M 4 M L W 1 8 0 9 A 1 N 1 A A
1 2 3 4 5 6 7 8 9 10 11 12 13 14 15

Digit 1 = Brand Name
M = Ameristar

Digit 2 = Refrigerant
2 = R22
4 = R410A

Digit 3 = Indoor/Outdoor
M = Indoor

Digit 4 = Unit Type
HP = Heat Pump
L = Low Ambient

Digit 5 = System Type
W = High Wall

Digit 6-7 = Efficiency Tier (SEER)
18 - 18 SEER

Digit 8-9 = Nominal Capacity
09 = .75 ton
12 = 1.0 ton
18 = 1.5 ton
24 = 2.0 ton

Digit 10 = Major Development Sequence
Alphabet Letter; "A" through "Z"

Digit 11 = Electric Power Supply Characteristics
1 = 200-230V/1PH/60Hz or 208-230V/1PH/60Hz

Digit 12 = Region of Sale
N = North American Market

Digit 13,14,15 = Minor Design Sequence - Design Change
Alphabet Letter; "A" through "Z"

All orderable Service Parts are identified for this product.

Parts that are not identified, will not be available to order.

This is a typical illustration. The unit in the field may not appear exactly as shown.

