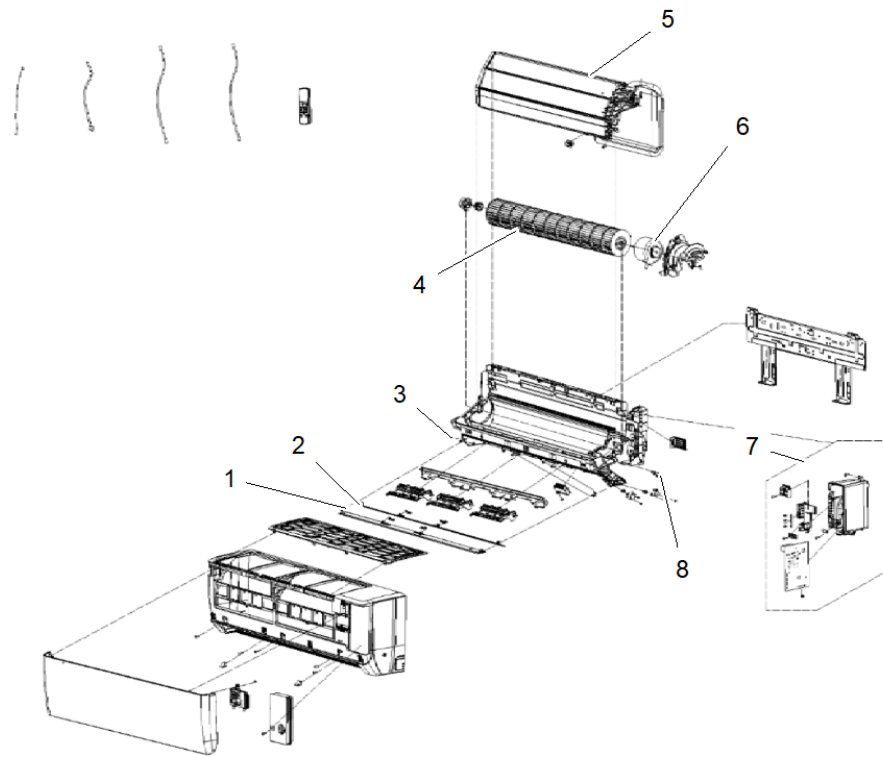


Parts List Number :0000157031

Model Number :M4MHW2318A1N0AA

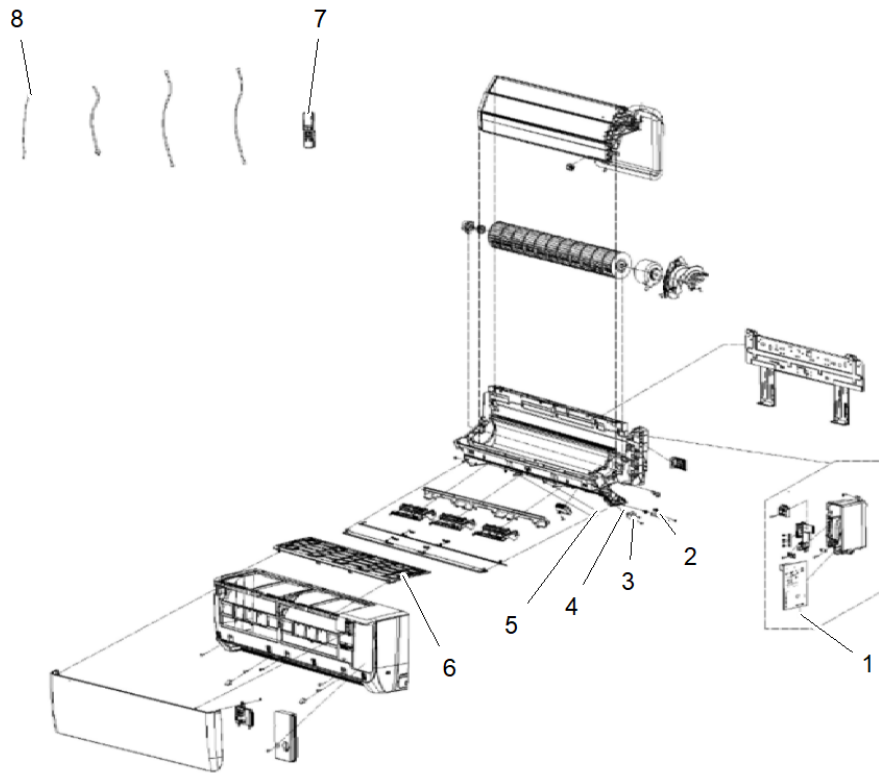
Part No.	Reference No.	Quantity	Description
0000157033~S	*		General Assembly 1
0000157034~S	*		General Assembly 2
0000157032~S	*		Model Number Description

Part No.	Reference No.	Quantity	Description
000030657~P	*		General Assembly 1



Part No.	Reference No.	Quantity	Description
LVR01315	1	1	LOUVER; GUIDE SUB ASSY 1
LVR01316	2	1	LOUVER; GUIDE SUB ASSY 2
BUS02159	3	2	BUSHING; LEFT AXILE
FAN06586	4	1	FAN; CROSS FLOW
EVP02926	5	1	EVAPORATOR; ASSEMBLY
MOT20623	6	1	MOTOR; BRUSHLESS DC
CNT08792	7	1	CONTROL; ELECTRIC BOX ASSEMBLY
PLU01245	8	1	PLUG; DRAIN PAN

Part No.	Reference No.	Quantity	Description
0000030658~P	*		General Assembly 2



Part No.	Reference No.	Quantity	Description
CON02235	1	1	CONNECTOR; JUMPER
MOT17971	2	1	MOTOR; STEPPING
MOT17616	3	1	MOTOR; LOUVER LEFT-RIGHT STEPPER
LEV00458	4	2	LEVER; CRANK
HSE01636	5	1	HOSE; DRAINAGE HOSE
FLR09412	6	1	FILTER; SUB ASSY
CNT08789	7	1	CONTROL; REMOTE
SEN02447	8	1	SENSOR; TEMPERATURE

Part No.	Reference No.	Quantity	Description
0000030868~P	*		Model Number Description(Indoor Unit)

MODEL NUMBER DESCRIPTION	75015190	REV A
<i>Example Model Number:</i> M4MHS 17 12A 11NAA <small>1 - - - 5 - - - - 10 - - - 15</small>		
Digit 1 – Brand Name M = Ameristar / Run Tru	Digit 13 – Regional Markets Served N = North America Market	
Digit 2 – Refrigerant Type 4 = R10a	Digits 14 – Minor Design Sequence A = First Design Sequence	
Digit 3 – Unit Type M = Indoor	Digits 15 – Service Digit A = First Sequence	
Digit 4 – Functional Type H = Heat Pump C = Cooling Only L = Low Ambient		
Digit 5 – Unit Configuration M = Multi Port S = Single Pump W = High Wall		
Digits 6, 7 – Efficiency Tier (SEER) 17 = 17 SEER 25 = 25 SEER		
Digits 8, 9 – Nominal Capacity 09 = 0.75 ton 12 = 1.0 ton 18 = 1.5 ton 24 = 2 ton 30 = 2.5 ton 36 = 3 ton 42 = 3.5 ton		
Digits 10 – Major Development Change A = First Major Development Change		
Digit 11 – Electric Power Supply Characteristics 1 = 200/208-230V/1PH/60HZ 2 = 115V/1PH/60HZ		
Digit 12 – Refrigerant Ports 1 = 1 Port 2 = 2 Ports 3 = 3 Ports 4 = 4 Ports 5 = 5 Ports		
		1 of 1

