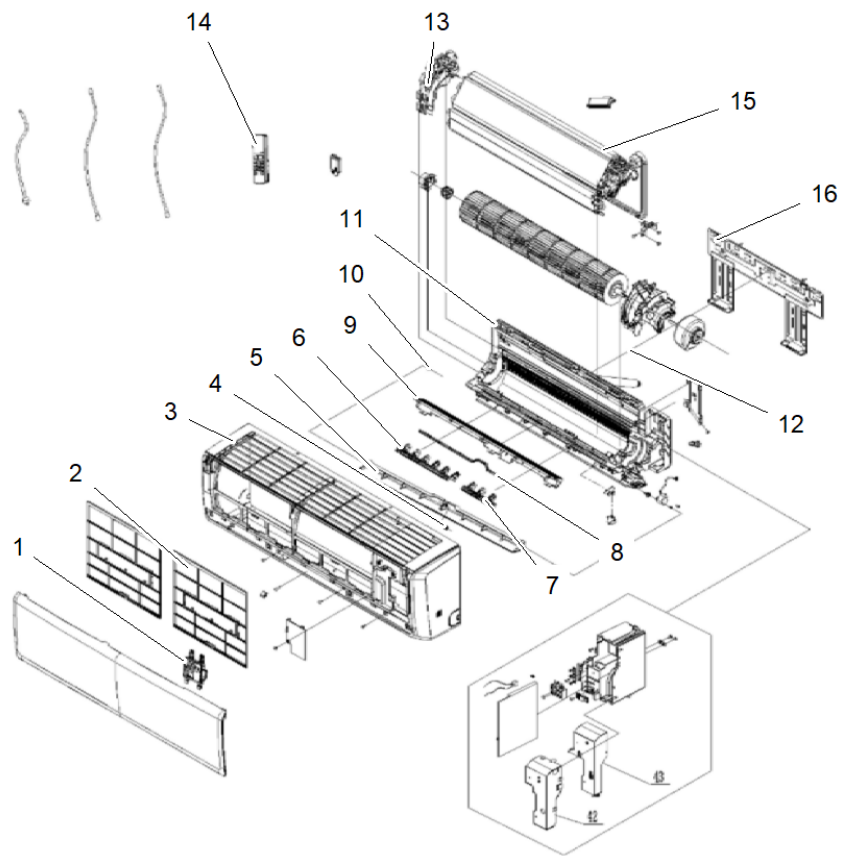


Parts List Number :0000157031

Model Number :M4MHW2309A1N0AA

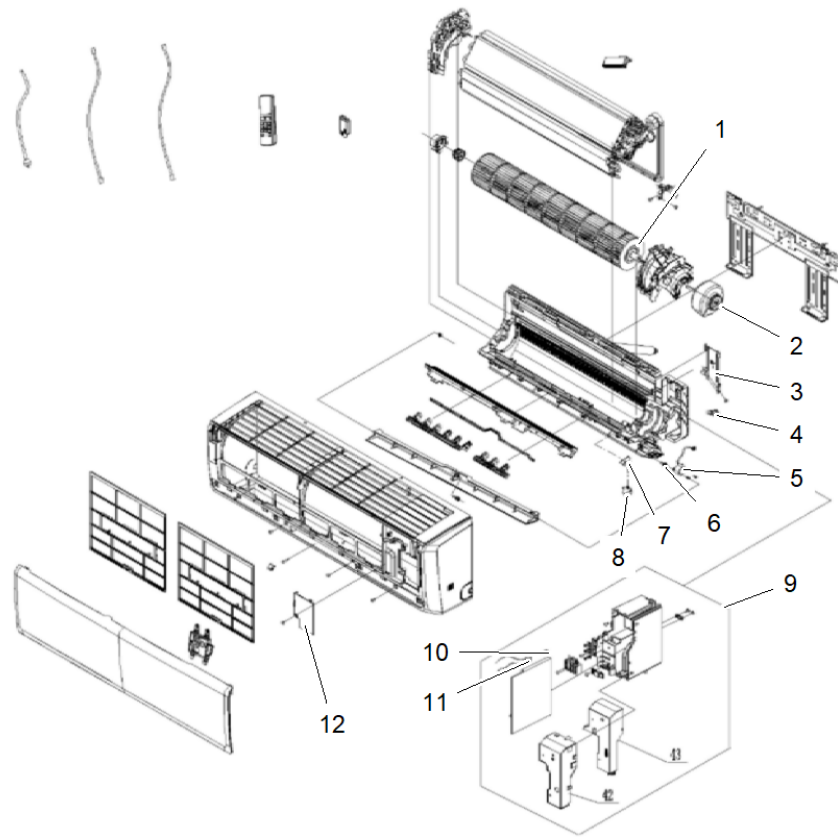
<b>Part No.</b>	<b>Reference No.</b>	<b>Quantity</b>	<b>Description</b>
0000157033~S	*		General Assembly 1
0000157034~S	*		General Assembly 2
0000157032~S	*		Model Number Description

Part No.	Reference No.	Quantity	Description
000030678~P	*		General Assembly 1



<b>Part No.</b>	<b>Reference No.</b>	<b>Quantity</b>	<b>Description</b>
BRD05637	1	1	BOARD; DISPLAY
FLR09303	2	2	FILTER; FILTER SUB-ASSY
PNL33742	3	1	PANEL; FRONT CASE ASSEMBLY
BUS02047	4	1	BUSHING; AXILE
LVR01250	5	1	LOUVER; GUIDE
LVR01312	6	1	LOUVER; LEFT
LVR01313	7	1	LOUVER; RIGHT
LEV00457	8	1	LEVER; SWING
BRK04749	9	1	BRACKET; AIR OUTLET
BUS02159	10	1	BUSHING; LEFT AXILE
PNL38739	11	1	PANEL; REAR CASE
HSE01636	12	1	HOSE; DRAINAGE HOSE
SUP06161	13	1	SUPPORT; COIL
CNT08789	14	1	CONTROL; REMOTE
EVP02925	15	1	EVAPORATOR; ASSEMBLY
FRM01911	16	1	FRAME; WALL MOUNTING FRAME( 01252484)

Part No.	Reference No.	Quantity	Description
0000030679~P	*		General Assembly 2



<b>Part No.</b>	<b>Reference No.</b>	<b>Quantity</b>	<b>Description</b>
FAN05631	1	1	FAN; CROSS FLOW
MOT20621	2	1	MOTOR; DC BRUSHLESS
COV05141	3	1	COVER; REFRIGERANT PIPE
PLU01245	4	1	PLUG; DRAIN PAN
MOT17971	5	1	MOTOR; STEPPING
LVR01187	6	1	LOUVER; SIDE GUIDE
LVR01314	7	1	LOUVER; AUTO
MOT20622	8	1	MOTOR; STEPPER
CNT08790	9	1	CONTROL; ELECTRIC BOX ASSEMBLY
CAP01388	10	1	CAP; CONNECTOR, PIN (05)
SEN02447	11	1	SENSOR; TEMPERATURE
BOX02991	12	1	BOX; ELECTRIC COVER SUB ASSEMBLY

Part No.	Reference No.	Quantity	Description
000030868~P	*		Model Number Description(Indoor Unit)

MODEL NUMBER DESCRIPTION	75015190	REV A
<i>Example Model Number:</i> <b>M4MHS 17 12A 1 1NAA</b> <small>1 - - - 5 - - - - 10 - - - 15</small>		
<b>Digit 1 – Brand Name</b> M = Ameristar / Run Tru	<b>Digit 13 – Regional Markets Served</b> N = North America Market	
<b>Digit 2 – Refrigerant Type</b> 4 = R10a	<b>Digits 14 – Minor Design Sequence</b> A = First Design Sequence	
<b>Digit 3 – Unit Type</b> M = Indoor	<b>Digits 15 – Service Digit</b> A = First Sequence	
<b>Digit 4 – Functional Type</b> H = Heat Pump C = Cooling Only L = Low Ambient		
<b>Digit 5 – Unit Configuration</b> M = Multi Port S = Single Pump W = High Wall		
<b>Digits 6, 7 – Efficiency Tier (SEER)</b> 17 = 17 SEER 25 = 25 SEER		
<b>Digits 8, 9 – Nominal Capacity</b> 09 = 0.75 ton 12 = 1.0 ton 18 = 1.5 ton 24 = 2 ton 30 = 2.5 ton 36 = 3 ton 42 = 3.5 ton		
<b>Digits 10 – Major Development Change</b> A = First Major Development Change		
<b>Digit 11 – Electric Power Supply Characteristics</b> 1 = 200/208-230V/1PH/60HZ 2 = 115V/1PH/60HZ		
<b>Digit 12 – Refrigerant Ports</b> 1 = 1 Port 2 = 2 Ports 3 = 3 Ports 4 = 4 Ports 5 = 5 Ports		
1 of 1		

