

Parts List Number :0000099758

Model Number :M4MHW2212A9N0BA

Part No.	Reference No.	Quantity	Description
0000100043~S	*		CONTROLS
0000100042~S	*		GENERAL ASSEMBLY
0000100044~S	*		MODEL NUMBER DESCRIPTION

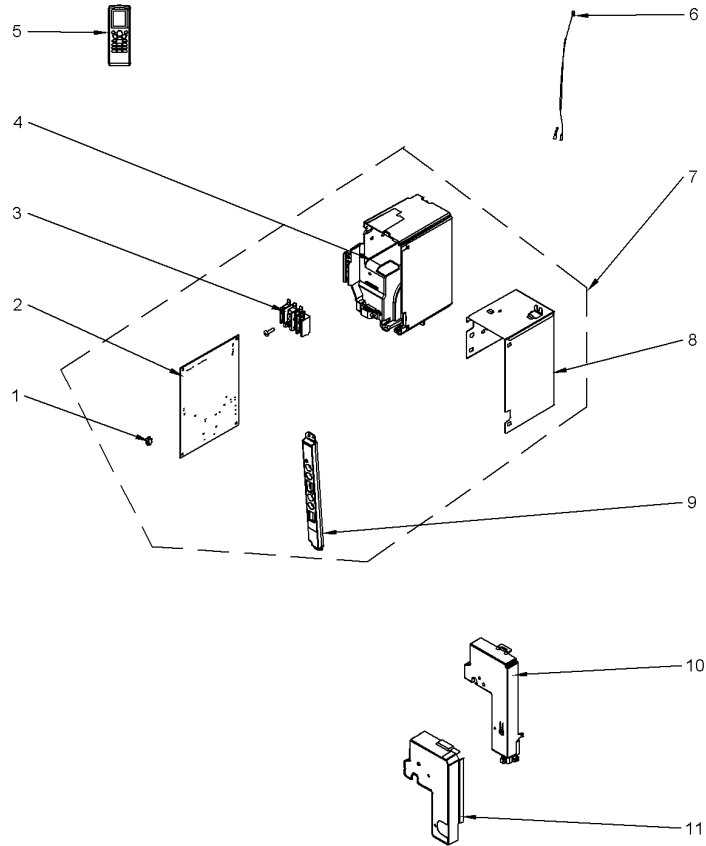
Part No.	Reference No.	Quantity	Description
000009167~P	*		CONTROLS PARTS LIST

ELECTRICAL BOX ASSY, CONTROLS

75011947

REV.
A

.75 TON & 1.0 TON INDOOR
TYPICAL ILLUSTRATION



All orderable Service Parts are identified for this product.

Parts that are not identified, will not be available to order.

This is a typical illustration. The unit in the field may not appear exactly as shown.

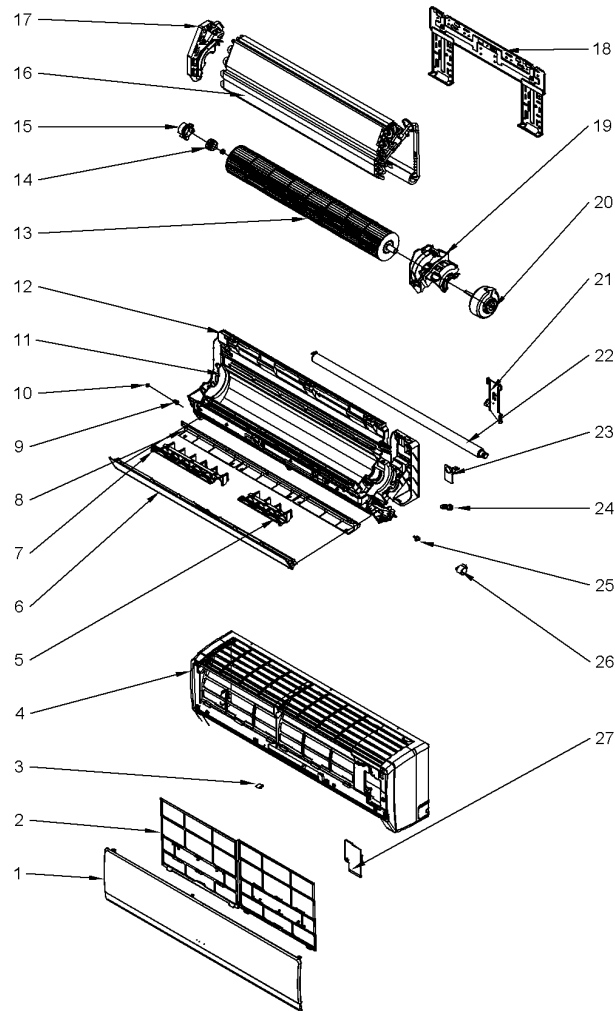
Part No.	Reference No.	Quantity	Description
WIR08173	1	1	WIRE; PLASTIC JUMPER CAP, NUMBER 2
BRD05463	2	1	BOARD; MAIN
BRD02648	3	1	BOARD; TERMINAL,
BOX02640	4	1	BOX; ELECTRIC
CNT07728	5	1	CONTROL; REMOTE
SEN02447	6	1	SENSOR; TEMPERATURE
BOX02882	7	1	BOX; ELECTRICAL
BOX02877	8	1	BOX; ELECTRIC, LOWER SHEILD
BRD05462	9	1	BOARD; FRONT DISPLAY
COV04806	10	1	COVER; INNER ELECTRICAL BOX, PLASTIC
BOX02878	11	1	BOX; ELECTRIC SHIELD COVER, METAL

Part No.	Reference No.	Quantity	Description
000009161~P	*		GENERAL ASSEMBLY PARTS LIST

GENERAL ASSEMBLY
.75 TON & 1.0 TON INDOOR
TYPICAL ILLUSTRATION

75011948

REV.
A



All orderable Service Parts are identified for this product.
Parts that are not identified, will not be available to order.
This is a typical illustration. The unit in the field may not appear exactly as shown.

Part No.	Reference No.	Quantity	Description
PNL33379	1	1	PANEL; FRONT
FLR08312	2	2	FILTER; SUB-ASSEMBLY
COV05062	3	1	COVER; SCREW
CAS02074	4	1	CASING; FRONT
LVR00925	5	1	LOUVER; AIR LEFT, 6 FIN
LVR00941	6	1	LOUVER; GUIDE
LVR00924	7	1	LOUVER; AIR RIGHT, 4 FIN
HNG00981	8	1	HINGE; HELICOID TONGUE
BUS02047	9	1	BUSHING; AXILE
BUS02159	10	1	BUSHING; LEFT AXILE
PAN03849	11	1	PAN; DRAIN, REAR CASE
PAN03891	12	1	PAN; DRAIN
FAN04371	13	1	FAN; CROSS FLOW
GKT04728	14	1	GASKET; O RING, BEARING
BRG01960	15	1	BEARING; RING
COL25825	16	1	COIL; EVAP
SUP05540	17	1	SUPPORT; EVAPORATOR
FRM02077	18	1	FRAME; WALL MOUNTING
PLT05867	19	1	PLATE; MOTOR
MOT17274	20	1	MOTOR; FAN, BRUSHLESS DC, 30W, 375V
CMP01516	21	1	CLAMP; CONNECTING PIPE
HSE01637	22	1	HOSE; DRAINAGE
PLT05865	23	1	PLATE; CABLE
PLU01245	24	1	PLUG; DRAIN PAN
TOL03841	25	1	TOOL; CRANK
MOT14616	26	1	MOTOR; STEPPER
COV04804	27	1	COVER; OUTER ELECTRICAL BOX

Part No.	Reference No.	Quantity	Description
000009256~P	*		MODEL NUMBER GRAPHIC

MODEL NUMBER DESCRIPTION
DUCTLESS SYSTEMS

75013584

REV
B

Example Model Number:
M4THS1812A11NAA
1 - - - 5 - - - - 10 - - - - 15

Digit 1 – Brand Name

M = Ameristar / RunTru

Digit 2 – Refrigerant Type

4 = R410a

Digit 3 – Unit Type

M = Indoor
T = Outdoor

Digit 4 – Functional Type

C = Cooling Only
H = Heat Pump
L = Low Ambient

Digit 5 – Unit Configuration

M = Multi Port
S = Single Port
W = High Wall

Digit 6, 7 – Efficiency Tier (SEER)

15 = 15 SEER
18 = 18 SEER
22 = 22 SEER
24 = 24 SEER

Digit 8, 9 – Nominal Capacity

09 = .75 ton
12 = 1.0 ton
18 = 1.5 ton
24 = 2 ton
30 = 2.5 ton
36 = 3 ton
42 = 3.5 ton

Digit 10 – Major Development Change

A = First Major Development Change

Digit 11 – Electric Power Supply

Characteristics

1 = 200/208-230V/1PH/60HZ
9 = 115V/1PH/60HZ

Digit 12 – Refrigerant Ports

1 = 1 Port
2 = 2 Ports
3 = 3 Ports
4 = 4 Ports
5 = 5 Ports

Digit 13 – Regional Markets Served

N = North America Market

Digit 14 – Minor Design Change

A = First Minor Design Change

Digit 15 – Service Digit

A = First Service Digit

All orderable Service Parts are identified for this product.

Parts that are not identified, will not be available to order.

This is a typical illustration. The unit in the field may not appear exactly as shown.

