

Parts List Number :0000099758

Model Number :M4MHW2209A9N0BA

| Part No. | Reference No. | Quantity | Description |
|-----------------|----------------------|-----------------|--------------------------|
| 0000100043~S | * | | CONTROLS |
| 0000100042~S | * | | GENERAL ASSEMBLY |
| 0000100044~S | * | | MODEL NUMBER DESCRIPTION |

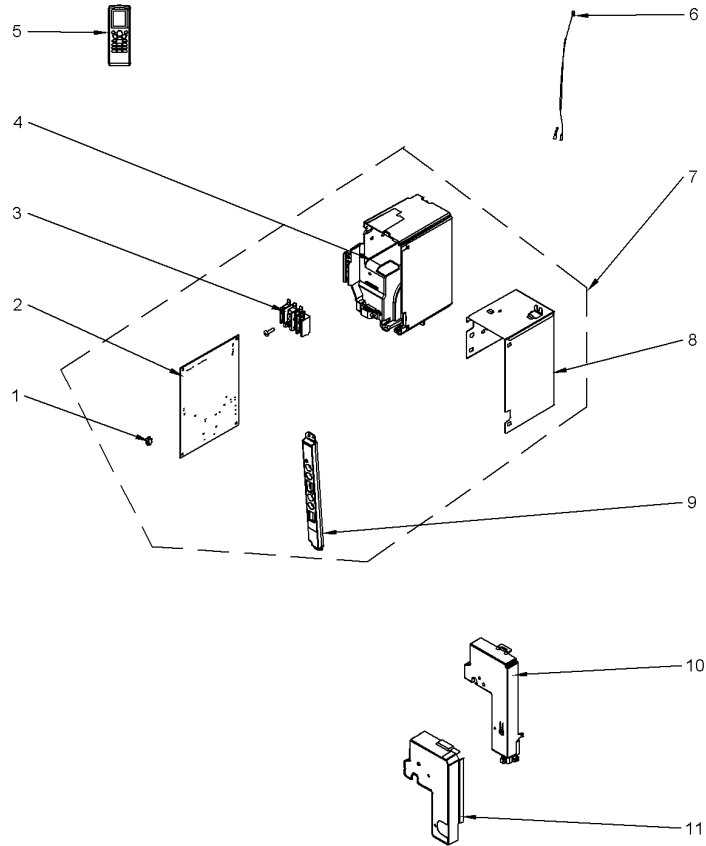
| Part No. | Reference No. | Quantity | Description |
|-------------|---------------|----------|---------------------|
| 000009166~P | * | | CONTROLS PARTS LIST |

ELECTRICAL BOX ASSY, CONTROLS

75011947

REV.
A

.75 TON & 1.0 TON INDOOR
TYPICAL ILLUSTRATION



All orderable Service Parts are identified for this product.

Parts that are not identified, will not be available to order.

This is a typical illustration. The unit in the field may not appear exactly as shown.

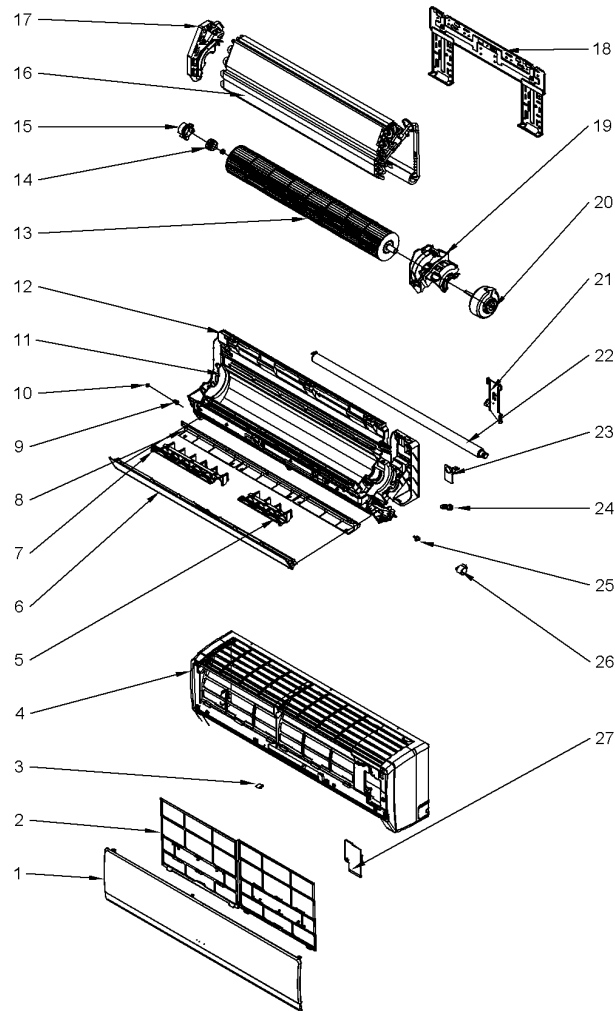
| Part No. | Reference No. | Quantity | Description |
|-----------------|----------------------|-----------------|--------------------------------------|
| WIR08172 | 1 | 1 | WIRE; PLASTIC JUMPER CAP, NUMBER 2 |
| BRD05463 | 2 | 1 | BOARD; MAIN |
| BRD02648 | 3 | 1 | BOARD; TERMINAL, |
| BOX02640 | 4 | 1 | BOX; ELECTRIC |
| CNT07728 | 5 | 1 | CONTROL; REMOTE |
| SEN02447 | 6 | 1 | SENSOR; TEMPERATURE |
| BOX02881 | 7 | 1 | BOX; ELECTRICAL |
| BOX02877 | 8 | 1 | BOX; ELECTRIC, LOWER SHEILD |
| BRD05462 | 9 | 1 | BOARD; FRONT DISPLAY |
| COV04806 | 10 | 1 | COVER; INNER ELECTRICAL BOX, PLASTIC |
| BOX02878 | 11 | 1 | BOX; ELECTRIC SHIELD COVER, METAL |

| Part No. | Reference No. | Quantity | Description |
|-------------|---------------|----------|-----------------------------|
| 000009161~P | * | | GENERAL ASSEMBLY PARTS LIST |

GENERAL ASSEMBLY
.75 TON & 1.0 TON INDOOR
TYPICAL ILLUSTRATION

75011948

REV.
A



All orderable Service Parts are identified for this product.
Parts that are not identified, will not be available to order.
This is a typical illustration. The unit in the field may not appear exactly as shown.

| Part No. | Reference No. | Quantity | Description |
|----------|---------------|----------|-------------------------------------|
| PNL33379 | 1 | 1 | PANEL; FRONT |
| FLR08312 | 2 | 2 | FILTER; SUB-ASSEMBLY |
| COV05062 | 3 | 1 | COVER; SCREW |
| CAS02074 | 4 | 1 | CASING; FRONT |
| LVR00925 | 5 | 1 | LOUVER; AIR LEFT, 6 FIN |
| LVR00941 | 6 | 1 | LOUVER; GUIDE |
| LVR00924 | 7 | 1 | LOUVER; AIR RIGHT, 4 FIN |
| HNG00981 | 8 | 1 | HINGE; HELICOID TONGUE |
| BUS02047 | 9 | 1 | BUSHING; AXILE |
| BUS02159 | 10 | 1 | BUSHING; LEFT AXILE |
| PAN03849 | 11 | 1 | PAN; DRAIN, REAR CASE |
| PAN03891 | 12 | 1 | PAN; DRAIN |
| FAN04371 | 13 | 1 | FAN; CROSS FLOW |
| GKT04728 | 14 | 1 | GASKET; O RING, BEARING |
| BRG01960 | 15 | 1 | BEARING; RING |
| COL25825 | 16 | 1 | COIL; EVAP |
| SUP05540 | 17 | 1 | SUPPORT; EVAPORATOR |
| FRM02077 | 18 | 1 | FRAME; WALL MOUNTING |
| PLT05867 | 19 | 1 | PLATE; MOTOR |
| MOT17274 | 20 | 1 | MOTOR; FAN, BRUSHLESS DC, 30W, 375V |
| CMP01516 | 21 | 1 | CLAMP; CONNECTING PIPE |
| HSE01637 | 22 | 1 | HOSE; DRAINAGE |
| PLT05865 | 23 | 1 | PLATE; CABLE |
| PLU01245 | 24 | 1 | PLUG; DRAIN PAN |
| TOL03841 | 25 | 1 | TOOL; CRANK |
| MOT14616 | 26 | 1 | MOTOR; STEPPER |
| COV04804 | 27 | 1 | COVER; OUTER ELECTRICAL BOX |

| Part No. | Reference No. | Quantity | Description |
|-------------|---------------|----------|----------------------|
| 000009256~P | * | | MODEL NUMBER GRAPHIC |

MODEL NUMBER DESCRIPTION
DUCTLESS SYSTEMS

75013584

REV
B

Example Model Number:
M4THS1812A11NAA
1 - - - 5 - - - - 10 - - - - 15

Digit 1 – Brand Name

M = Ameristar / RunTru

Digit 2 – Refrigerant Type

4 = R410a

Digit 3 – Unit Type

M = Indoor
T = Outdoor

Digit 4 – Functional Type

C = Cooling Only
H = Heat Pump
L = Low Ambient

Digit 5 – Unit Configuration

M = Multi Port
S = Single Port
W = High Wall

Digit 6, 7 – Efficiency Tier (SEER)

15 = 15 SEER
18 = 18 SEER
22 = 22 SEER
24 = 24 SEER

Digit 8, 9 – Nominal Capacity

09 = .75 ton
12 = 1.0 ton
18 = 1.5 ton
24 = 2 ton
30 = 2.5 ton
36 = 3 ton
42 = 3.5 ton

Digit 10 – Major Development Change

A = First Major Development Change

Digit 11 – Electric Power Supply

Characteristics

1 = 200/208-230V/1PH/60HZ
9 = 115V/1PH/60HZ

Digit 12 – Refrigerant Ports

1 = 1 Port
2 = 2 Ports
3 = 3 Ports
4 = 4 Ports
5 = 5 Ports

Digit 13 – Regional Markets Served

N = North America Market

Digit 14 – Minor Design Change

A = First Minor Design Change

Digit 15 – Service Digit

A = First Service Digit

All orderable Service Parts are identified for this product.

Parts that are not identified, will not be available to order.

This is a typical illustration. The unit in the field may not appear exactly as shown.

