

<b>Part No.</b>	<b>Reference No.</b>	<b>Quantity</b>	<b>Description</b>
75013572#M4MHWUP1~S	*		ELECTRIC BOX ASSEMBLY
75013569#M4MHWUP1~S	*		GENERAL ASSEMBLY
M4MHWUP1_M4MHWUP1_2479 66~P	*		M4MHWUP1 PARTS LIST
75013583#M4MHWUP1~S	*		MODEL NOMENCLATURE INDOOR

NO GRAPHIC AVAILABLE

75013702

REV  
A

**NO  
GRAPHIC  
AVAILABLE**

MODEL NOMENCLATURE  
AMERISTAR INDOOR HEAT PUMP HIGH WALL

75013583

REV.  
A

*Example Model Number:*  
**M4MHW1812A1N0AA**  
1 - - - - 5 - - - - 10 - - - - 15

**Digit 1 – Brand Name**

M = Ameristar

**Digit 2 – Refrigerant Type**

4 = R410a

**Digit 3 – Unit Type**

M = Indoor

**Digit 4 – Functional Type**

H = Heat Pump

**Digit 5 – Unit Configuration**

W = High Wall

**Digit 6, 7 – Efficiency Tier (SEER)**

18 = 18 SEER

**Digit 8, 9 – Nominal Capacity**

09 = .75 ton

12 = 1.0 ton

18 = 1.5 ton

24 = 2.0 ton

**Digit 10 – Major Development Change**

A = First Major Development Change

**Digit 11 – Electric Power Supply Characteristics**

1 = 200-230V/1PH/60Hz or 208-230V/1PH/60Hz

**Digit 12 – Regional Markets Served**

N = North America Market

**Digit 13 – Reserved for Future Use**

0 = Not Currently Used

**Digit 14 – Minor Design Change**

A = First Minor Design Change

**Digit 15 – Service Digit**

A = First Service Digit

All orderable Service Parts are identified for this product.

Parts that are not identified, will not be available to order.

This is a typical illustration. The unit in the field may not appear exactly as shown.

Part No.	Reference No.	Quantity	Description
75013583_M4MHWUP1_247970~ P	*		MODEL NOMENCLATURE INDOOR PARTS LIST

MODEL NOMENCLATURE  
AMERISTAR INDOOR HEAT PUMP HIGH WALL

75013583

REV.  
A

*Example Model Number:*  
**M4MHW1812A1N0AA**  
1 - - - - 5 - - - - 10 - - - - 15

**Digit 1 – Brand Name**

M = Ameristar

**Digit 2 – Refrigerant Type**

4 = R410a

**Digit 3 – Unit Type**

M = Indoor

**Digit 4 – Functional Type**

H = Heat Pump

**Digit 5 – Unit Configuration**

W = High Wall

**Digit 6, 7 – Efficiency Tier (SEER)**

18 = 18 SEER

**Digit 8, 9 – Nominal Capacity**

09 = .75 ton

12 = 1.0 ton

18 = 1.5 ton

24 = 2.0 ton

**Digit 10 – Major Development Change**

A = First Major Development Change

**Digit 11 – Electric Power Supply Characteristics**

1 = 200-230V/1PH/60Hz or 208-230V/1PH/60Hz

**Digit 12 – Regional Markets Served**

N = North America Market

**Digit 13 – Reserved for Future Use**

0 = Not Currently Used

**Digit 14 – Minor Design Change**

A = First Minor Design Change

**Digit 15 – Service Digit**

A = First Service Digit

All orderable Service Parts are identified for this product.

Parts that are not identified, will not be available to order.

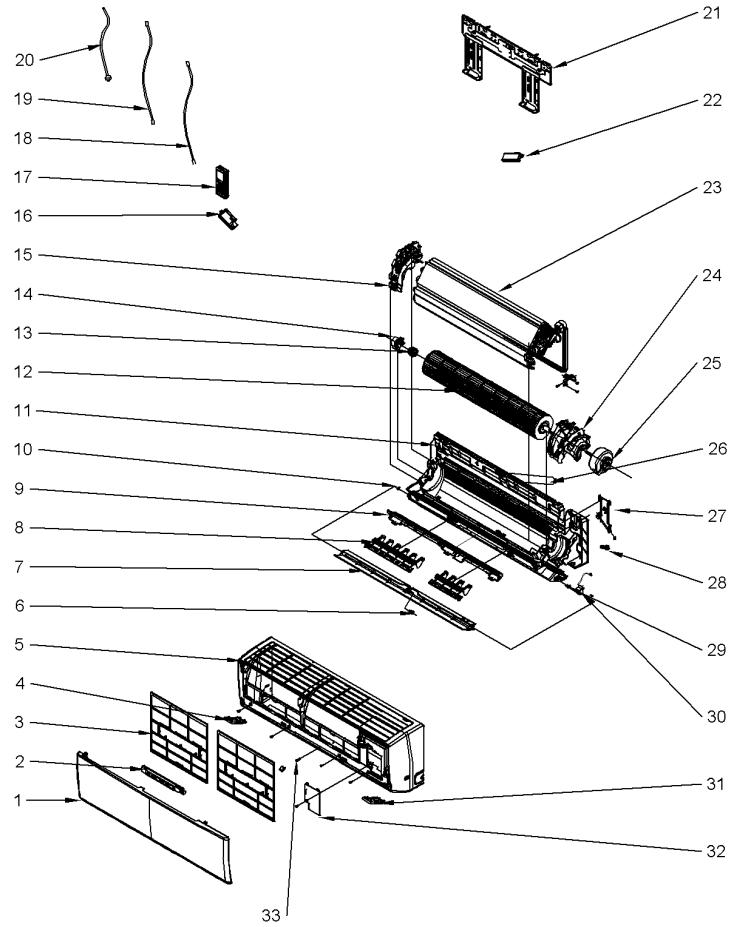
This is a typical illustration. The unit in the field may not appear exactly as shown.

18 SEER INDOOR HEAT PUMP HIGH WALL

75013569

REV.  
A

GENERAL ASSEMBLY  
.75 & 1.0 TON



All orderable Service Parts are identified for this product.

Parts that are not identified, will not be available to order.

This is a typical illustration. The unit in the field may not appear exactly as shown.

Parts List Number :M4MHWUP1#M4MHWUP1

Model Number :M4MHW1809A1N0AA

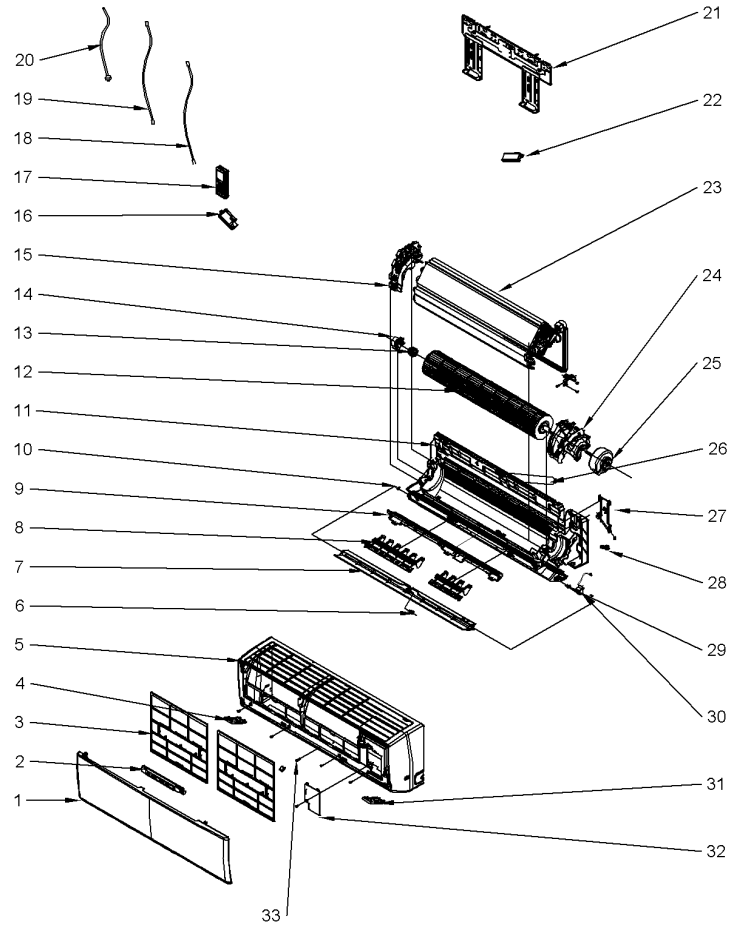
Part No.	Reference No.	Quantity	Description
75013569_M4MHWUP1_338185~ P	*		GENERAL ASSEMBLY PARTS LIST

18 SEER INDOOR HEAT PUMP HIGH WALL

75013569

REV.  
A

GENERAL ASSEMBLY  
.75 & 1.0 TON



All orderable Service Parts are identified for this product.

Parts that are not identified, will not be available to order.

This is a typical illustration. The unit in the field may not appear exactly as shown.

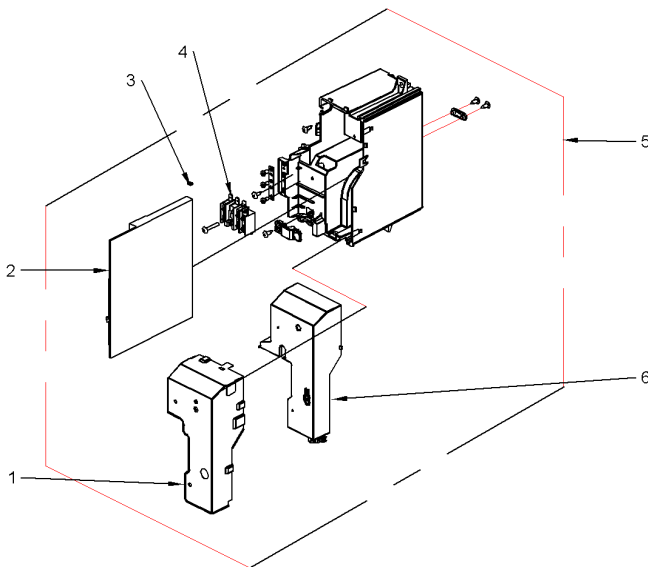
Part No.	Reference No.	Quantity	Description
PNL34617	1	1	PANEL; FRONT
BRD05637	2	1	BOARD; DISPLAY
PNL33742	5	1	PANEL; FRONT CASE ASSEMBLY
BUS02047	6	1	BUSHING; AXILE
LVR01250	7	1	LOUVER; GUIDE
LVR01247	8	1	LOUVER; AIR LOUVER 1
BRK04749	9	1	BRACKET; AIR OUTLET
BUS02159	10	1	BUSHING; LEFT AXILE
CAS02083	11	1	CASE; REAR ASSEMBLY
FAN05631	12	1	FAN; CROSS FLOW
GKT04242	13	1	GASKET; O-GASKET SUB-ASSY OF BEARING( 76512051)
BRG01960	14	1	BEARING; RING
SUP06467	15	1	SUPPORT; EVAPORATOR
CNT07925	17	1	CONTROLLER; REMOTE
FRM01911	21	1	FRAME; WALL MOUNTING FRAME( 01252484)
COL28580	23	1	COIL; EVAPORATOR ASSY
MOT18934	25	1	MOTOR; BLOWER
HSE01636	26	1	HOSE; DRAINAGE HOSE
COV05141	27	1	COVER; REFRIGERANT PIPE
PLU01245	28	1	PLUG; DRAIN PAN
LVR01187	29	1	LOUVER; SIDE GUIDE
MOT17971	30	1	MOTOR; STEPPING
BOX02991	32	1	BOX; ELECTRIC COVER SUB ASSEMBLY

18 SEER INDOOR HEAT PUMP HIGH WALL

75013572

REV.  
A

ELECTRIC BOX ASSEMBLY  
.75 & 1.0 TON



All orderable Service Parts are identified for this product.

Parts that are not identified, will not be available to order.

This is a typical illustration. The unit in the field may not appear exactly as shown.

Parts List Number :M4MHWUP1#M4MHWUP1

Model Number :M4MHW1809A1N0AA

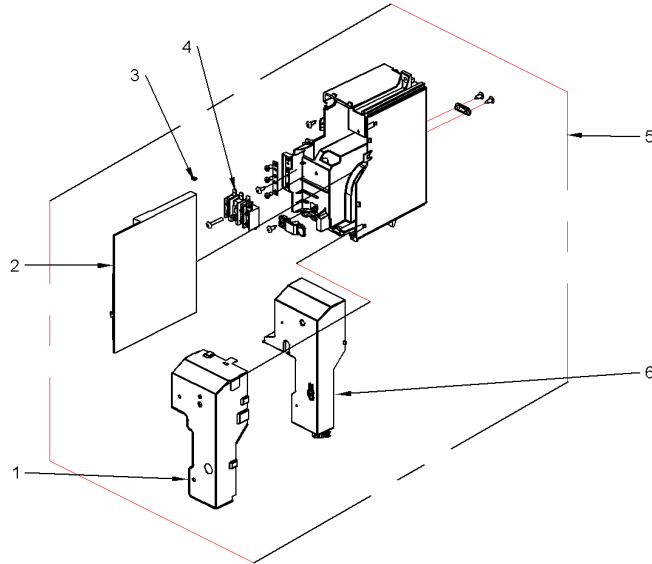
Part No.	Reference No.	Quantity	Description
75013572_M4MHWUP1_338186~ P	*		ELECTRIC BOX ASSEMBLY PARTS LIST

18 SEER INDOOR HEAT PUMP HIGH WALL

75013572

REV.  
A

ELECTRIC BOX ASSEMBLY  
.75 & 1.0 TON



All orderable Service Parts are identified for this product.

Parts that are not identified, will not be available to order.

This is a typical illustration. The unit in the field may not appear exactly as shown.

<b>Part No.</b>	<b>Reference No.</b>	<b>Quantity</b>	<b>Description</b>
COV05100	1	1	COVER; ELECTRIC BOX (METAL)
BRD06887	2	1	BOARD; MAIN PCB
CON02060	3	1	CONNECTOR; JUMPER (LABELED 09)
BRD02648	4	1	BOARD; TERMINAL,
BOX03845	5	1	BOX; ENCLOSURE INCLUDES MAIN BOARD, TERMINAL STRIP, METAL AND PLASTIC COVERS AND CONTROL BOX COVER
BOX02963	6	1	BOX; ELECTRIC COVER