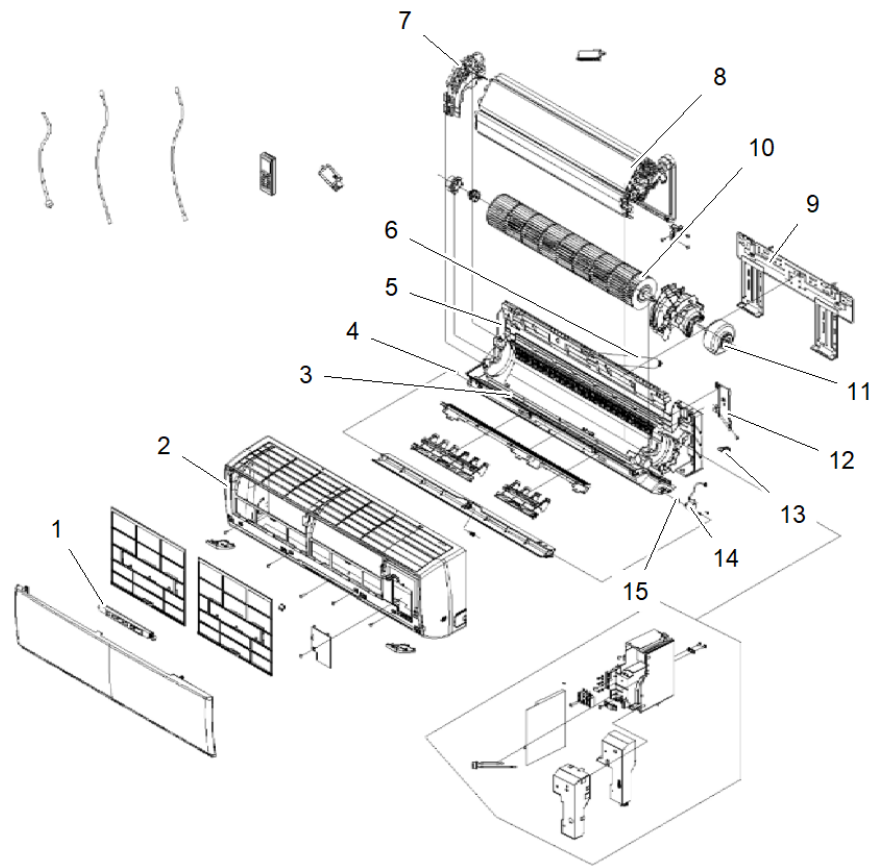


Parts List Number :0000157031

Model Number :M4MCW1712A1N0AA

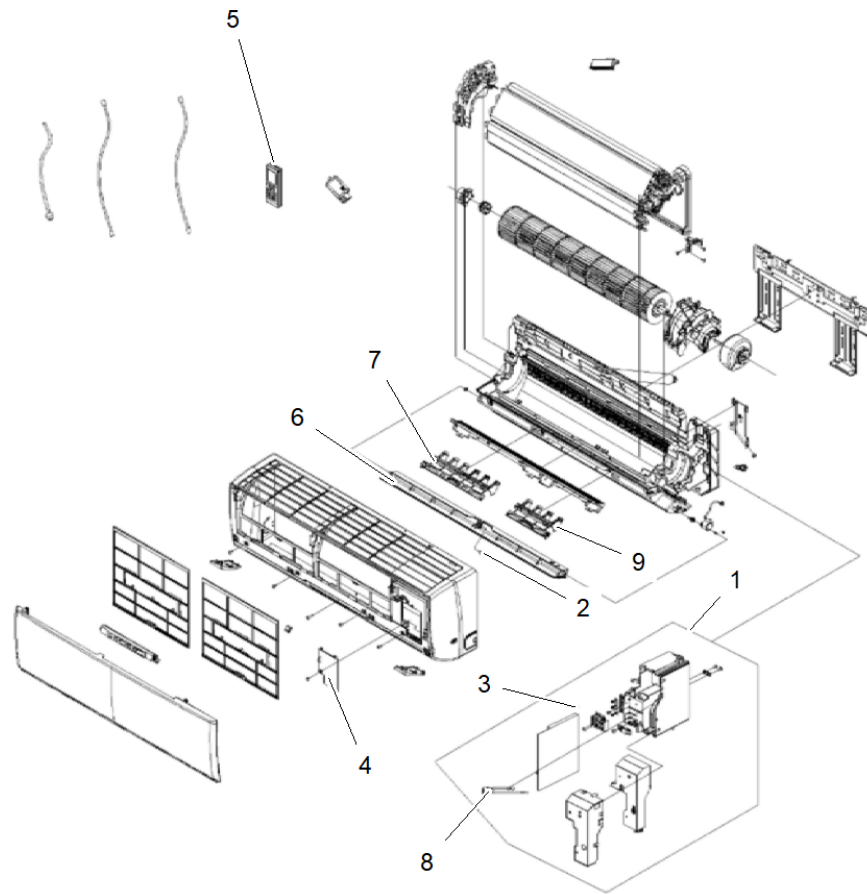
Part No.	Reference No.	Quantity	Description
0000157033~S	*		General Assembly 1
0000157034~S	*		General Assembly 2
0000157032~S	*		Model Number Description

Part No.	Reference No.	Quantity	Description
0000030668~P	*		General Assembly 1



Part No.	Reference No.	Quantity	Description
BRD05637	1	1	BOARD; DISPLAY
PNL33742	2	1	PANEL; FRONT CASE ASSEMBLY
BRK04749	3	1	BRACKET; AIR OUTLET
BUS02159	4	1	BUSHING; LEFT AXILE
CAS02083	5	1	CASE; REAR ASSEMBLY
HSE01636	6	1	HOSE; DRAINAGE HOSE
SUP06161	7	1	SUPPORT; COIL
EVP02923	8	1	EVAPORATOR; ASSEMBLY
FRM01911	9	1	FRAME; WALL MOUNTING FRAME(01252484)
FAN05631	10	1	FAN; CROSS FLOW
MOT20619	11	1	MOTOR; FAN
COV05141	12	1	COVER; REFRIGERANT PIPE
PLU01245	13	1	PLUG; DRAIN PAN
MOT17971	14	1	MOTOR; STEPPING
LVR01187	15	1	LOUVER; SIDE GUIDE

Part No.	Reference No.	Quantity	Description
0000030669~P	*		General Assembly 2



Part No.	Reference No.	Quantity	Description
CNT08800	1	1	CONTROL; ELECTRIC BOX ASSEMBLY
BUS02047	2	1	BUSHING; AXILE
CAP01339	3	1	CAP; JUMPER
BOX02991	4	1	BOX; ELECTRIC COVER SUB ASSEMBLY
CNT08675	5	1	CONTROL; REMOTE
LVR01250	6	1	LOUVER; GUIDE
LVR01247	7	1	LOUVER; AIR LOUVER 1
SEN02447	8	1	SENSOR; TEMPERATURE
LVR01248	9	1	LOUVER; AIR LOUVER 2

Part No.	Reference No.	Quantity	Description
000030868~P	*		Model Number Description(Indoor Unit)

MODEL NUMBER DESCRIPTION	75015190	REV A
<i>Example Model Number:</i> M4MHS 17 12A 1 1NAA <small>1 - - - 5 - - - - 10 - - - 15</small>		
Digit 1 – Brand Name M = Ameristar / Run Tru	Digit 13 – Regional Markets Served N = North America Market	
Digit 2 – Refrigerant Type 4 = R10a	Digits 14 – Minor Design Sequence A = First Design Sequence	
Digit 3 – Unit Type M = Indoor	Digits 15 – Service Digit A = First Sequence	
Digit 4 – Functional Type H = Heat Pump C = Cooling Only L = Low Ambient		
Digit 5 – Unit Configuration M = Multi Port S = Single Pump W = High Wall		
Digits 6, 7 – Efficiency Tier (SEER) 17 = 17 SEER 25 = 25 SEER		
Digits 8, 9 – Nominal Capacity 09 = 0.75 ton 12 = 1.0 ton 18 = 1.5 ton 24 = 2 ton 30 = 2.5 ton 36 = 3 ton 42 = 3.5 ton		
Digits 10 – Major Development Change A = First Major Development Change		
Digit 11 – Electric Power Supply Characteristics 1 = 200/208-230V/1PH/60HZ 2 = 115V/1PH/60HZ		
Digit 12 – Refrigerant Ports 1 = 1 Port 2 = 2 Ports 3 = 3 Ports 4 = 4 Ports 5 = 5 Ports		
		1 of 1

