

Parts List Number :000099757

Model Number :M4MCW1512A1N0BA

<b>Part No.</b>	<b>Reference No.</b>	<b>Quantity</b>	<b>Description</b>
0000099741~S	*		CONTROLS
0000099740~S	*		GENERAL ASSEMBLY
0000099742~S	*		MODEL NUMBER DESCRIPTION

CONTROLS

Parts List Number :0000099757

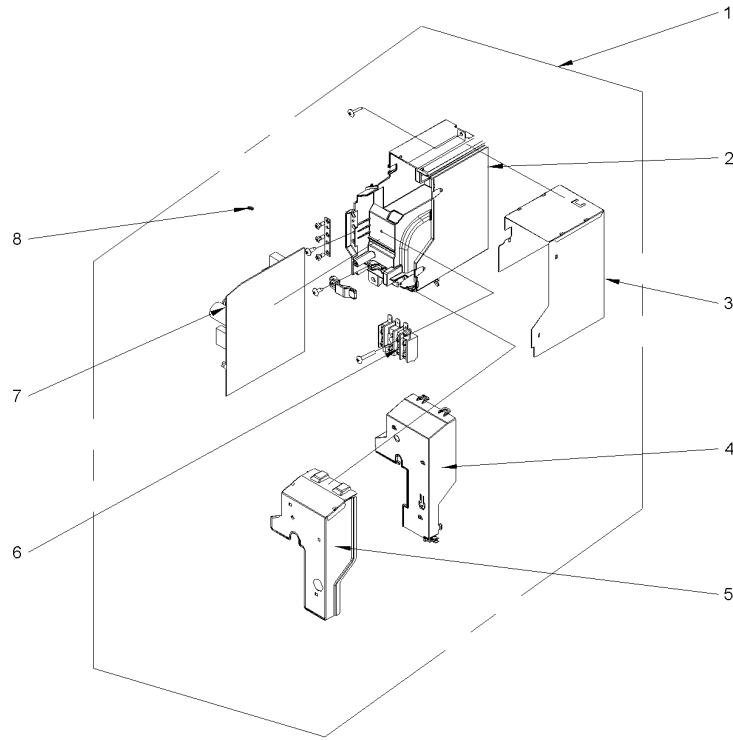
Model Number :M4MCW1512A1N0BA

Part No.	Reference No.	Quantity	Description
000009180~P	*		CONTROLS PARTS LIST

INDOOR 15 SEER CONTROL ASSEMBLY

75012019

REV.  
A



All orderable Service Parts are identified for this product.  
Parts that are not identified, will not be available to order.  
This is a typical illustration. The unit in the field may not appear exactly as shown.

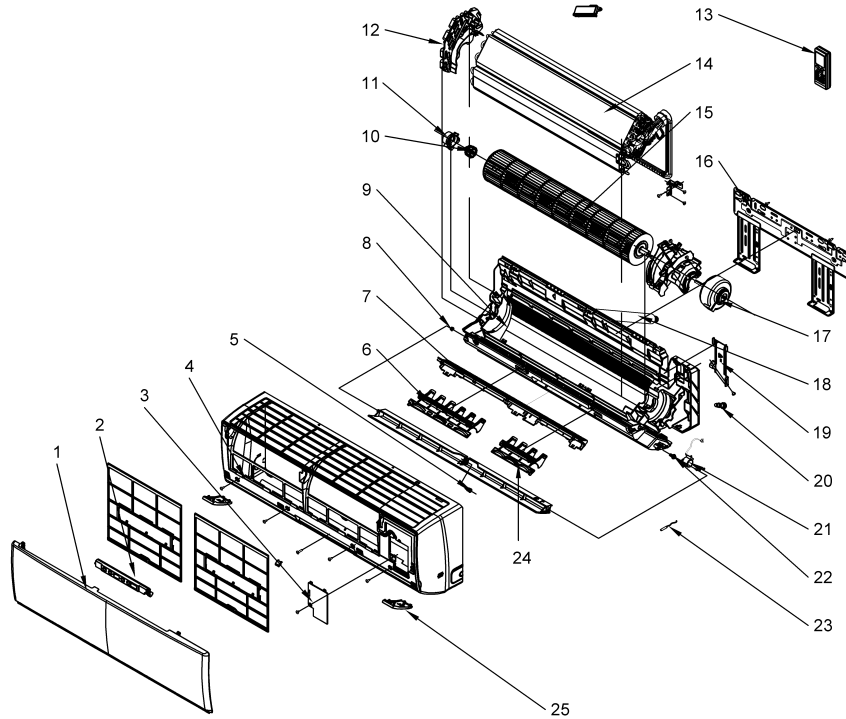
<b>Part No.</b>	<b>Reference No.</b>	<b>Quantity</b>	<b>Description</b>
BOX03181	1	1	BOX; ELECTRICAL ASSEMBLY
BOX02963	4	1	BOX; ELECTRIC COVER
COV05100	5	1	COVER; ELECTRIC BOX (METAL)
BRD02648	6	1	BOARD; TERMINAL,
BRD05619	7	1	BOARD; MAIN
CAP01323	8	1	CAP; JUMPER

Part No.	Reference No.	Quantity	Description
000009176~P	*		GENERAL ASSEMBLY PARTS LIST

15 SEER INDOOR GENERAL ASSEMBLY  
0.75 - 1.0 TON

75012016

REV  
C



All orderable Service Parts are identified for this product.  
Parts that are not identified, will not be available to order.  
This is a typical illustration. The unit in the field may not appear exactly as shown.

Part No.	Reference No.	Quantity	Description
PNL34617	1	1	PANEL; FRONT
BRD05637	2	1	BOARD; DISPLAY
BOX02991	3	1	BOX; ELECTRIC COVER SUB ASSEMBLY
PNL33719	4	1	PANEL; FRONT
BUS02047	5	1	BUSHING; AXILE
BRK04749	7	1	BRACKET; AIR OUTLET
BUS02159	8	1	BUSHING; LEFT AXILE
CAS02083	9	1	CASE; REAR ASSEMBLY
GKT04728	10	1	GASKET; O RING, BEARING
BRG01960	11	1	BEARING; RING
SUP06161	12	1	SUPPORT; COIL
CNT07728	13	1	CONTROL; REMOTE
COL27454	14	1	COIL; EVAP
FAN05631	15	1	FAN; CROSS FLOW
FRM01911	16	1	FRAME; WALL MOUNTING FRAME( 01252484)
MOT17354	17	1	MOTOR; FAN
HSE01636	18	1	HOSE; DRAINAGE HOSE
COV05141	19	1	COVER; REFRIGERANT PIPE
PLU01245	20	1	PLUG; DRAIN PAN
MOT17971	21	1	MOTOR; STEPPING
LVR01187	22	1	LOUVER; SIDE GUIDE
SEN02447	23	1	SENSOR; TEMPERATURE

Part No.	Reference No.	Quantity	Description
000009256~P	*		MODEL NUMBER GRAPHIC

MODEL NUMBER DESCRIPTION  
DUCTLESS SYSTEMS

75013584

REV  
B

*Example Model Number:*  
**M4THS1812A11NAA**  
1 - - - 5 - - - - 10 - - - - 15

**Digit 1 – Brand Name**

M = Ameristar / RunTru

**Digit 2 – Refrigerant Type**

4 = R410a

**Digit 3 – Unit Type**

M = Indoor  
T = Outdoor

**Digit 4 – Functional Type**

C = Cooling Only  
H = Heat Pump  
L = Low Ambient

**Digit 5 – Unit Configuration**

M = Multi Port  
S = Single Port  
W = High Wall

**Digit 6, 7 – Efficiency Tier (SEER)**

15 = 15 SEER  
18 = 18 SEER  
22 = 22 SEER  
24 = 24 SEER

**Digit 8, 9 – Nominal Capacity**

09 = .75 ton  
12 = 1.0 ton  
18 = 1.5 ton  
24 = 2 ton  
30 = 2.5 ton  
36 = 3 ton  
42 = 3.5 ton

**Digit 10 – Major Development Change**

A = First Major Development Change

**Digit 11 – Electric Power Supply**

**Characteristics**

1 = 200/208-230V/1PH/60HZ  
9 = 115V/1PH/60HZ

**Digit 12 – Refrigerant Ports**

1 = 1 Port  
2 = 2 Ports  
3 = 3 Ports  
4 = 4 Ports  
5 = 5 Ports

**Digit 13 – Regional Markets Served**

N = North America Market

**Digit 14 – Minor Design Change**

A = First Minor Design Change

**Digit 15 – Service Digit**

A = First Service Digit

All orderable Service Parts are identified for this product.

Parts that are not identified, will not be available to order.

This is a typical illustration. The unit in the field may not appear exactly as shown.

