

Part No.	Reference No.	Quantity	Description
M4MUP1_M4MUP1_191085~P	*		15 SEER MINI SPLIT LOMO UNITS PARTS LIST
75012019#M4MUP1~S	*		CONTROL ASSEMBLY
75012016#M4MUP1~S	*		GENERAL ASSEMBLY
75011980#M4MUP1~S	*		MODEL NUMBER DESCRIPTION

NO GRAPHIC AVAILABLE

75013702

REV
A

**NO
GRAPHIC
AVAILABLE**

MODEL NUMBER DESCRIPTION

75011980

REV.
A

15 SEER LOMO INDOOR DUCTLESS

Example Model Number:
M4MHW1512A1N0AA
1 - - - - 5 - - - - 10 - - - - 15

Digit 1 – Brand Name

M = Ameristar

Digit 2 – Refrigerant Type

4 = R410a

Digit 3 – Unit Type

M = Indoor

Digit 4 – Functional Type

H = Heat Pump
C = Cooling Only

Digit 5 – Unit Configuration

W = High Wall

Digit 6, 7 – Efficiency Tier (SEER)

15 = 15 SEER

Digit 8, 9 – Nominal Capacity

09 = .75 ton
12 = 1.0 ton
18 = 1.5 ton
24 = 2 ton

Digit 10 – Major Development Change

A = First Major Development Change

Digit 11 – Electric Power Supply Characteristics

1 = 200-230V/1PH/60HZ

Digit 12 – Regional Markets Served

N = North America Market

Digit 13 – Reserved for Future Use

0 = Not Currently Used

Digit 14 – Minor Design Change

A = First Minor Design Change

Digit 15 – Service Digit

A = First Service Digit

Part No.	Reference No.	Quantity	Description
75011980_M4MUP1_290960~P	*		MODEL NUMBER DESCRIPTION PARTS LIST

MODEL NUMBER DESCRIPTION

75011980

REV.
A

15 SEER LOMO INDOOR DUCTLESS

Example Model Number:
M4MHW1512A1N0AA
1 - - - - 5 - - - - 10 - - - - 15

Digit 1 – Brand Name

M = Ameristar

Digit 2 – Refrigerant Type

4 = R410a

Digit 3 – Unit Type

M = Indoor

Digit 4 – Functional Type

H = Heat Pump
C = Cooling Only

Digit 5 – Unit Configuration

W = High Wall

Digit 6, 7 – Efficiency Tier (SEER)

15 = 15 SEER

Digit 8, 9 – Nominal Capacity

09 = .75 ton
12 = 1.0 ton
18 = 1.5 ton
24 = 2 ton

Digit 10 – Major Development Change

A = First Major Development Change

Digit 11 – Electric Power Supply Characteristics

1 = 200-230V/1PH/60HZ

Digit 12 – Regional Markets Served

N = North America Market

Digit 13 – Reserved for Future Use

0 = Not Currently Used

Digit 14 – Minor Design Change

A = First Minor Design Change

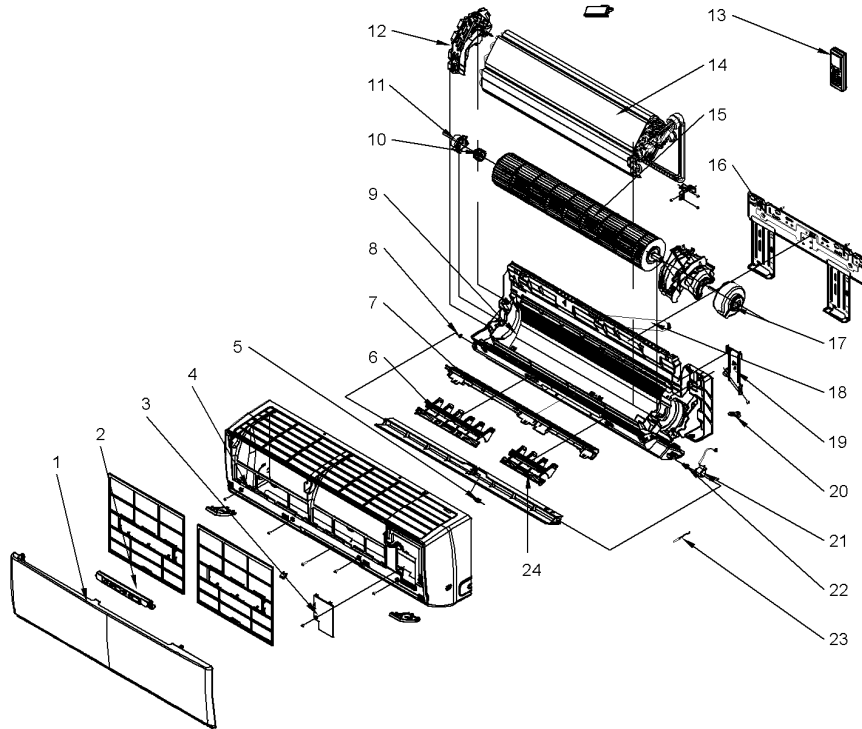
Digit 15 – Service Digit

A = First Service Digit

15 SEER INDOOR GENERAL ASSEMBLY
0.75 - 1.0 TON

75012016

REV
C



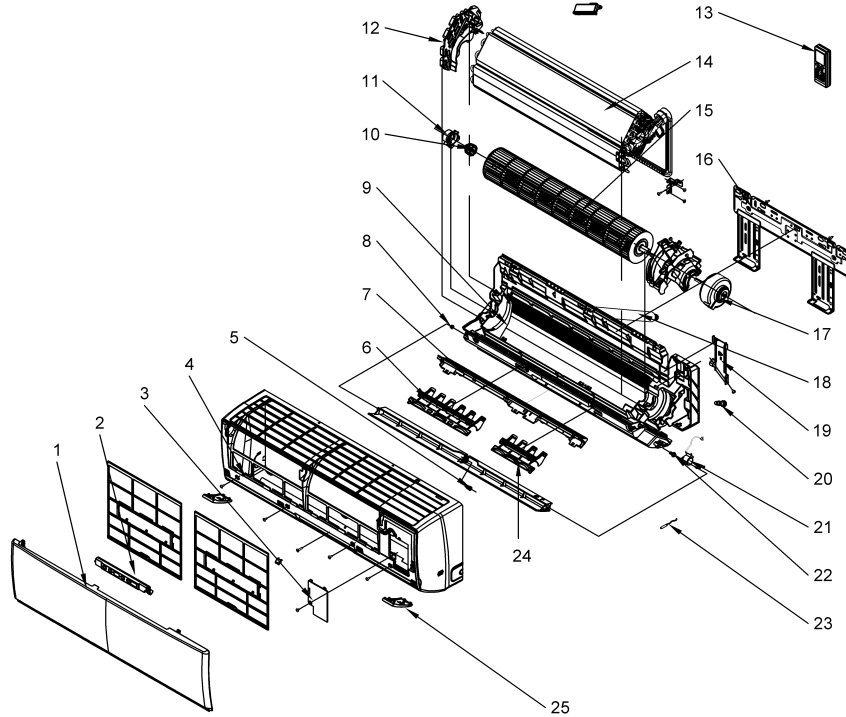
All orderable Service Parts are identified for this product.
Parts that are not identified, will not be available to order.
This is a typical illustration. The unit in the field may not appear exactly as shown.

Part No.	Reference No.	Quantity	Description
75012016_M4MUP1_297528~P	*		GENERAL ASSEMBLY PARTS LIST

15 SEER INDOOR GENERAL ASSEMBLY
0.75 - 1.0 TON

75012016

REV
C



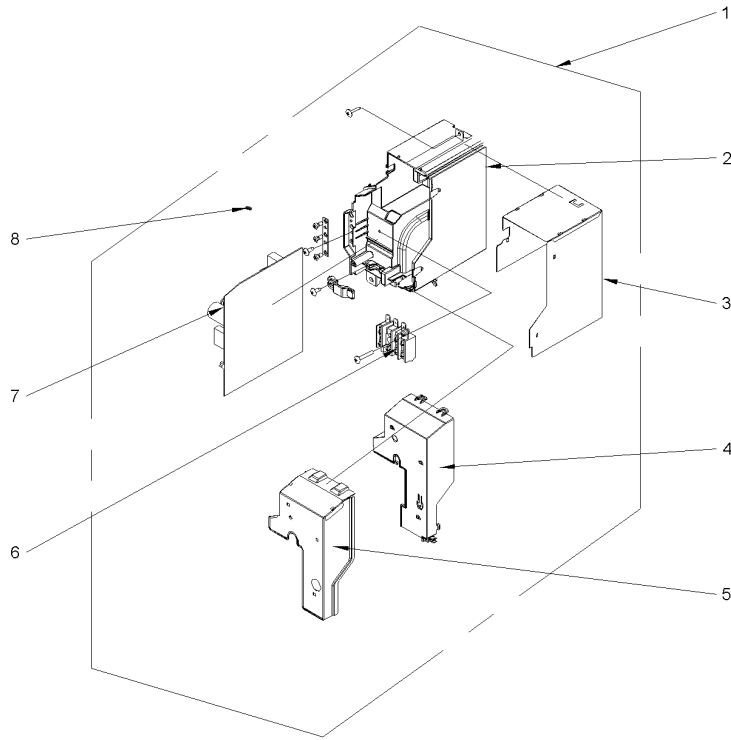
All orderable Service Parts are identified for this product.
Parts that are not identified, will not be available to order.
This is a typical illustration. The unit in the field may not appear exactly as shown.

Part No.	Reference No.	Quantity	Description
PNL34617	1	1	PANEL; FRONT
BRD05637	2	1	BOARD; DISPLAY
BOX02991	3	1	BOX; ELECTRIC COVER SUB ASSEMBLY
PNL33719	4	1	PANEL; FRONT
BUS02047	5	1	BUSHING; AXILE
BRK04749	7	1	BRACKET; AIR OUTLET
BUS02159	8	1	BUSHING; LEFT AXILE
CAS02083	9	1	CASE; REAR ASSEMBLY
GKT04728	10	1	GASKET; O RING, BEARING
BRG01960	11	1	BEARING; RING
SUP06161	12	1	SUPPORT; COIL
CNT07728	13	1	CONTROL; REMOTE
COL27454	14	1	COIL; EVAP
FAN05631	15	1	FAN; CROSS FLOW
FRM01911	16	1	FRAME; WALL MOUNTING FRAME(01252484)
MOT17354	17	1	MOTOR; FAN
HSE01636	18	1	HOSE; DRAINAGE HOSE
COV05141	19	1	COVER; REFRIGERANT PIPE
PLU01245	20	1	PLUG; DRAIN PAN
MOT17971	21	1	MOTOR; STEPPING
LVR01187	22	1	LOUVER; SIDE GUIDE
SEN02447	23	1	SENSOR; TEMPERATURE

INDOOR 15 SEER CONTROL ASSEMBLY

75012019

REV.
A



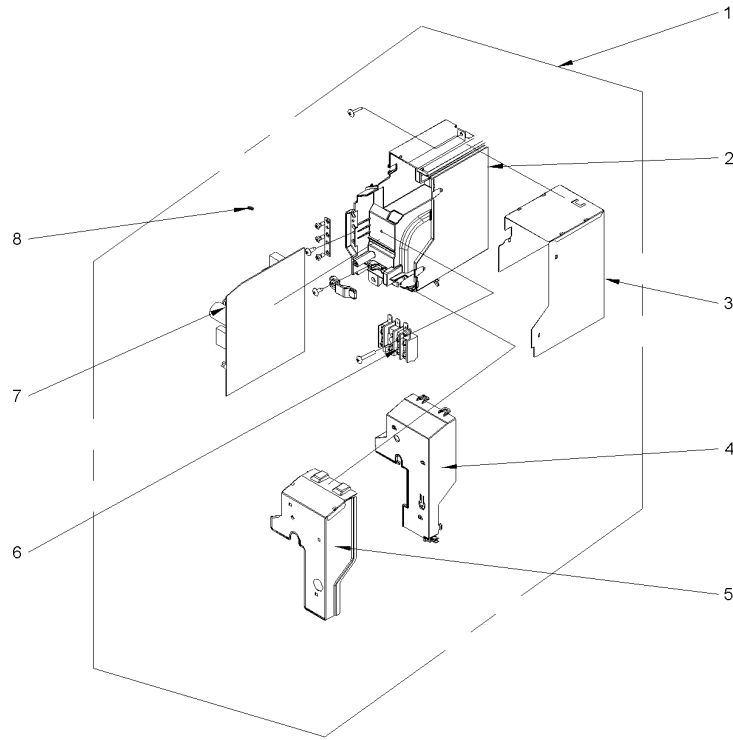
All orderable Service Parts are identified for this product.
Parts that are not identified, will not be available to order.
This is a typical illustration. The unit in the field may not appear exactly as shown.

Part No.	Reference No.	Quantity	Description
75012019_M4MUP1_297529~P	*		CONTROL ASSEMBLY PARTS LIST

INDOOR 15 SEER CONTROL ASSEMBLY

75012019

REV.
A



All orderable Service Parts are identified for this product.
Parts that are not identified, will not be available to order.
This is a typical illustration. The unit in the field may not appear exactly as shown.

Part No.	Reference No.	Quantity	Description
BOX03181	1	1	BOX; ELECTRICAL ASSEMBLY
BOX02963	4	1	BOX; ELECTRIC COVER
COV05100	5	1	COVER; ELECTRIC BOX (METAL)
BRD02648	6	1	BOARD; TERMINAL,
BRD05619	7	1	BOARD; MAIN
CAP01323	8	1	CAP; JUMPER