

Part No.	Reference No.	Quantity	Description
0000153673~S	*		E-PART BOX ASSEMBLY
0000153672~S	*		GENERAL ASSEMBLY
0000153671~S	*		Model Number Description
0000153674~S	*		TXV-ORIFICE CHART

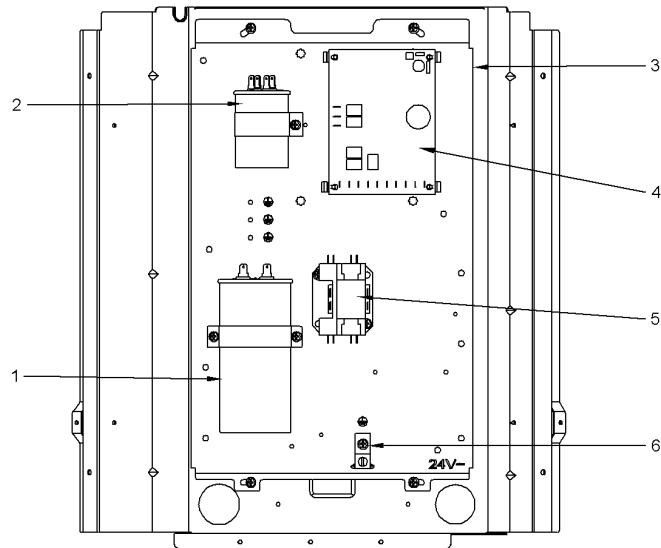
Part No.	Reference No.	Quantity	Description
0000028769~P	*		E-PART BOX ASSEMBLY

AMERISTAR 16 SEER HEAT PUMP UNITS

75013538

REV.
A

E-PART BOX ASSEMBLY
4.0 TON



All orderable Service Parts are identified for this product.

Parts that are not identified, will not be available to order.

This is a typical illustration. The unit in the field may not appear exactly as shown.

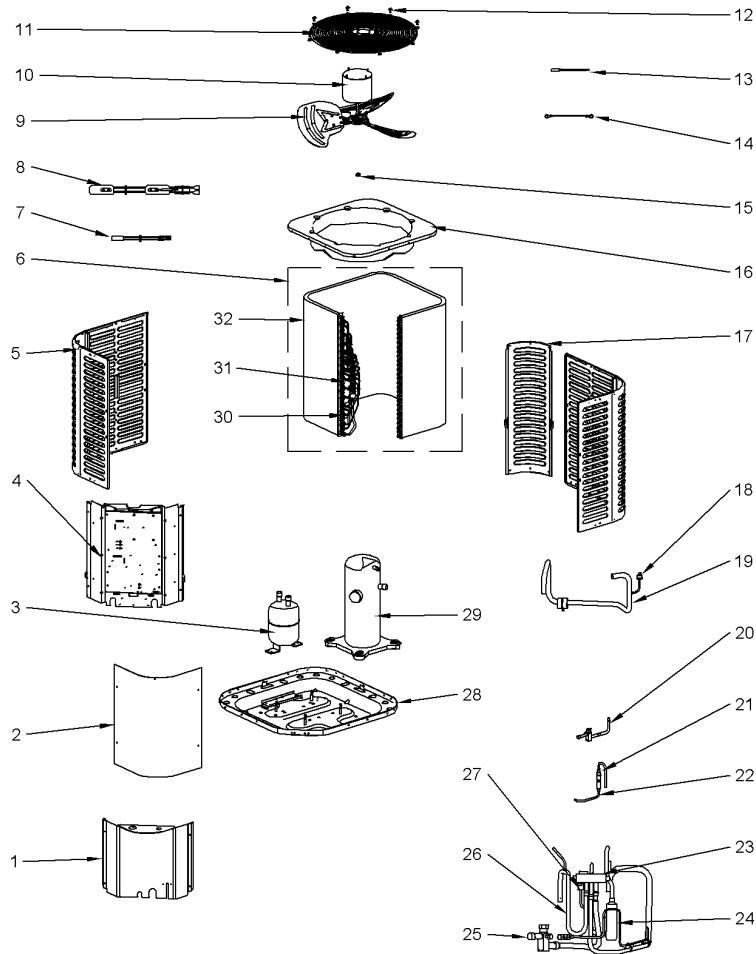
Part No.	Reference No.	Quantity	Description
CPT02493	1	1	CAPACITOR; RUN; 70UF/450V-P2(2000H)
CPT02523	2	1	CAPACITOR; FAN; 15UF/450V-P2(2000H)
BOX03599	3	1	BOX; ELETRICAL ASSEMBLY
BRD06611	4	1	BOARD; CONTROL
CTR02987	5	1	CONTACTOR; AC, 24V
TER01703	6	1	LUG; GROUND LUG

Part No.	Reference No.	Quantity	Description
0000028787~P	*		GENERAL ASSEMBLY

AMERISTAR 16 SEER HEAT PUMP UNITS
GENERAL ASSEMBLY
4.0 TON

75013534

REV.
A



All orderable Service Parts are identified for this product.
Parts that are not identified, will not be available to order.
This is a typical illustration. The unit in the field may not appear exactly as shown.

Part No.	Reference No.	Quantity	Description
SEN02495	*	1	SENSOR; AMBIENT TEMPERATURE
SEN03082	*	1	SENSOR; DISCHARGE TEMPERATURE
PNL36593	1	1	PANEL; SIDE PANEL ASSEMBLY
PNL33848	2	1	PANEL; UPWARD SIDE BOARD
BOX03599	4	1	BOX; ELETRICAL ASSEMBLY
PNL33854	5	2	PANEL; SIDE BOARD ASSEMBLY
COL29130	6	1	COIL; ASSEMBLY
WIR08471	7	1	HARNESS; COMPRESSOR
ELM09310	8	1	HEATER; CRANKCASE
FAN05659	9	1	FAN; FAN BLADE ASSEMBLY
MOT16141	10	1	MOTOR; FAN; 1/3 HP, PSC, SINGLE AXLE
GRL02054	11	1	GRILLE; FAN
BLT01037	12	8	BOLT ;M5X20MM ; GASKET, DIAMETER 18MM, ASSY (STAINLESS STEEL)
SEN02523	13	8	SENSOR; CONDENSER COIL TEMP
WIR09213	14	8	WIRE; GROUND, GREEN
NUT01379	15	1	NUT;
PNL33908	16	1	PANEL; TOP COVER ASSEMBLY
PNL33847	17	1	PANEL; SUPPORTING BOARD
SWT04034	18	1	SWITCH; LOW PRESSURE
PIP02844	19	1	LINE; SUCTION LINE ASSEMBLY
VAL12457	20	1	TUBE; LIQUID ASSEMBLY
VAL12508	21	1	VALVE; ONE WAY CHECK VALVE
VAL19371	22	1	VALVE; THROTTLE, PISTON
VAL19363	23	1	VALVE; REVERSING SWITCH OVER VALVE
VAL19362	24	1	VALVE; REVERSING SWITCH OVER VALVE ASSEMBLY
VAL12456	25	1	VALVE; SUCTION SERVICE VALVE, LIQUID VALVE
PIP02903	26	1	TUBE; REVERSING VALVE TUBE ASSEMBLY
SWT04049	27	1	SWITCH; HIGH PRESSURE
BAS02847	28	1	BASE; ASSEMBLY
COM13272	29	1	COMPRESSOR; FIXED SPEED SCROLL COMPRESSOR
COL29124	30	1	ASSEMBLY; COIL OUTLET TUBE
COL29123	31	1	ASSEMBLY; COIL INLET TUBE
COL29131	32	1	COIL; CONDENSER

Part No.	Reference No.	Quantity	Description
0000028768~P	*		Model Number Description

NOMENCLATURE

75013544

REV.
A

AMERISTAR AC CONDENSING & HP HEAT PUMP UNITS

Model Number Example

M 4 H P 6 0 6 0 B 1 0 0 0 A A
1 2 3 4 5 6 7 8 9 10 11 12 13 14 15

Digit 1 = Brand Name
M = Ameristar

Digit 2 = Refrigerant
2 = R22
4 = R410A

Digit 3-4 = Unit Type
AC = Condensing
HP = Heat Pump

Digit 5 = Efficiency Tier
3 - 13 SEER
4 - 14 SEER
6 = 16 SEER

Digit 6,7,8 = Tonnage
018 = 1.5 ton
024 = 2.0 ton
030 = 2.5 ton
036 = 3.0 ton
042 = 3.5 ton
048 = 4.0 ton
060 = 5.0 ton

Digit 9 = Major Development Sequence
Alphabet Letter; "A" through "Z"

Digit 10 = Electric Power Supply Characteristics
1 = 200-230V/1PH/60Hz or 208-230V/1PH/60Hz

Digit 11,12,13 = Secondary Function
000 = No Secondary Function

Digit 14,15 = Minor Design Sequence - Design Change
Alphabet Letter; "A" through "Z"

All orderable Service Parts are identified for this product.

Parts that are not identified, will not be available to order.

This is a typical illustration. The unit in the field may not appear exactly as shown.

Part No.	Reference No.	Quantity	Description
0000028770~P	*		TXV-ORIFICE CHART

M4AC6 / M4HP6 Ameristar Orifice / TXV Chart																						
Outdoor	Indoor	Orifice Kit								TXV Kit												
		MAYORIACHP0052	MAYORIACHP0058	MAYORIACHP0065	MAYORIACHP0070	MAYORIACHP0072	MAYORIACHP0075	MAYORIACHP0078	MAYORIACHP0080	4AYTXVH3G2436A	4AYTXVH3G4248A	4AYTXVH3G6000A										
AC	M4AC6018B1000AA	M4AH4E37B1B00A	X																			
		4GXCA001AC6HUA+TXV											X									
		4GXCB002AC6HUA+TXV											X									
	M4AC6024B1000AA	M4AH4E37B1B00A		X																		
		4GXCA001AC6HUA+TXV											X									
		4GXCB002AC6HUA+TXV											X									
	M4AC6030B1000AA	M4AH4E37B1B00A			X																	
		4GXCB016AC6HUA+TXV											X									
		4GXCC017AC6HUA				X																
	M4AC6036B1000AA	M4AH4E61B1C00A					X															
		4GXCB016AC6HUA+TXV											X									
		4GXCC017AC6HUA+TXV											X									
	M4AC6042B1000AA	M4AH4E61B1C00A							X													
		4GXCC009AC6HUA								X												
		4GXCD010AC6HUA									X											
	M4AC6048B1000AA	M4AH4E61B1C00A									X											
		4GXCC009AC6HUA+TXV																			X	
		4GXCD010AC6HUA+TXV																			X	
	M4AC6060A1000AA	M4AH4E61B1C00A+TXV																				X
		4GXCC009AC6HUA+TXV																				X
		4GXCD010AC6HUA+TXV																				X
	Heat Pump	M4HP6018B1000AA	M4AH4E37B1B00A						X													
		M4HP6024B1000AA	M4AH4E37B1B00A									X										
		M4HP6030B1000AA	M4AH4E37B1B00A+TXV																			X
M4HP6036B1000AA		M4AH4E61B1C00A					X															
M4HP6042B1000AA		M4AH4E61B1C00A+TXV																			X	
M4HP6048B1000AA		M4AH4E61B1C00A+TXV																			X	
M4HP6060B1000AA		M4AH6E60A1C00A+TXV																			X	

Note: See indoor installation guide to see factory-installed orifice size. Since the manufacturer has a policy of continuous product and product data improvement, if the system combination you are looking for is not listed, check the latest version of the installation guides.

