

Part No.	Reference No.	Quantity	Description
75012604#M4HPUP3-S	*		ELECTRIC BOX ASSEMBLY
75012601#M4HPUP3-S	*		GENERAL ASSEMBLY
M4HPUP3_M4HPUP3_180444-P	*		M4HPUP3 PARTS LIST
75009815#M4HPUP3-S	*		MODEL NOMENCLATURE

NO GRAPHIC AVAILABLE

75013702

REV
A

**NO
GRAPHIC
AVAILABLE**

MODEL NOMENCLATURE

75009815

REV
A

Heat Pumps

Model Number Example

M 4 H P 3 0 1 8 A 1 0 0 0 A A
1 2 3 4 5 6 7 8 9 10 11 12 13 14 15

Digit 1 = Brand Name
M = Ameristar

Digit 2 = Refrigerant
2 = R22
4 = R410A

Digit 3-4 = Unit Type
HP = Heat Pump

Digit 5 = Efficiency Tier
3 - 13 SEER
4 - 14 SEER

Digit 6,7,8 = Tonnage
018 = 1.5 ton
024 = 2.0 ton
030 = 2.5 ton
036 = 3.0 ton
042 = 3.5 ton
048 = 4.0 ton
060 = 5.0 ton

Digit 9 = Major Development Sequence
Alphabet Letter; "A" through "Z"

Digit 10 = Electric Power Supply Characteristics
1 = 200-230V/1PH/60Hz or 208-230V/1PH/60Hz

Digit 11,12,13 = Secondary Function
000 = No Secondary Function

Digit 14,15 = Minor Design Sequence - Design Change
Alphabet Letter; "A" through "Z"

MODEL NOMENCLATURE

Parts List Number :M4HPUP3#M4HPUP3

Model Number :M4HP4018C1000AA

Part No.	Reference No.	Quantity	Description
75009815_M4HPUP3_180445~P	*		MODEL NOMENCLATURE PARTS LIST

MODEL NOMENCLATURE

75009815

REV
A

Heat Pumps

Model Number Example

M 4 H P 3 0 1 8 A 1 0 0 0 A A
1 2 3 4 5 6 7 8 9 10 11 12 13 14 15

Digit 1 = Brand Name
M = Ameristar

Digit 2 = Refrigerant
2 = R22
4 = R410A

Digit 3-4 = Unit Type
HP = Heat Pump

Digit 5 = Efficiency Tier
3 - 13 SEER
4 - 14 SEER

Digit 6,7,8 = Tonnage
018 = 1.5 ton
024 = 2.0 ton
030 = 2.5 ton
036 = 3.0 ton
042 = 3.5 ton
048 = 4.0 ton
060 = 5.0 ton

Digit 9 = Major Development Sequence
Alphabet Letter; "A" through "Z"

Digit 10 = Electric Power Supply Characteristics
1 = 200-230V/1PH/60Hz or 208-230V/1PH/60Hz

Digit 11,12,13 = Secondary Function
000 = No Secondary Function

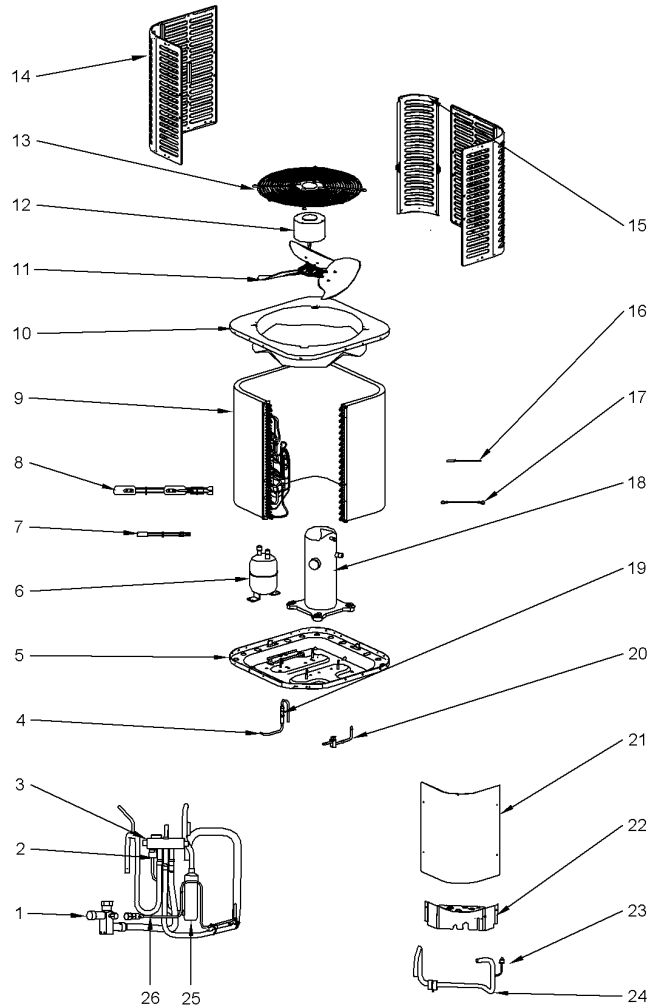
Digit 14,15 = Minor Design Sequence - Design Change
Alphabet Letter; "A" through "Z"

GENERAL ASSY

75012601

REV.
A

1.5 & 2.0 TON HP



All orderable Service Parts are identified for this product.

Parts that are not identified, will not be available to order.

This is a typical illustration. The unit in the field may not appear exactly as shown.

Parts List Number :M4HPUP3#M4HPUP3

Model Number :M4HP4018C1000AA

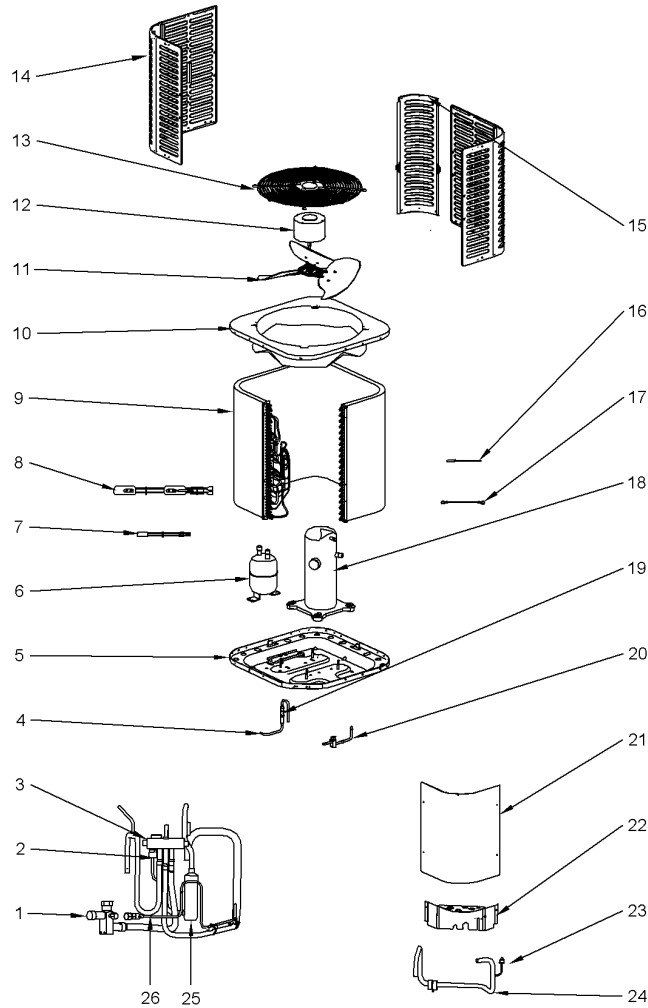
Part No.	Reference No.	Quantity	Description
75012601_M4HPUP3_329728~P	*		GENERAL ASSEMBLY PARTS LIST

GENERAL ASSY

75012601

REV
A

1.5 & 2.0 TON HP



All orderable Service Parts are identified for this product.

Parts that are not identified, will not be available to order.

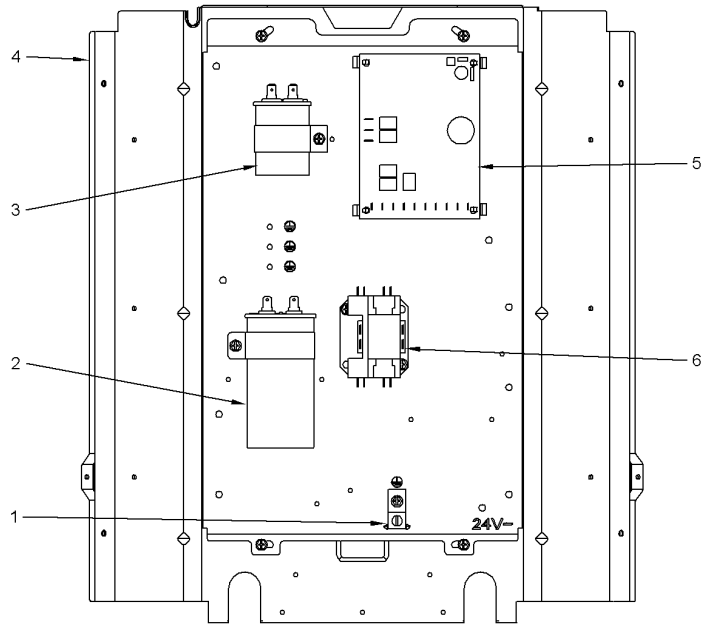
This is a typical illustration. The unit in the field may not appear exactly as shown.

Part No.	Reference No.	Quantity	Description
SEN02495	*1	1	SENSOR; AMBIENT TEMPERATURE
SEN02525	*	1	SENSOR; DISCHARGE TEMPERATURE
VAL12512	1	1	VALVE; SUCTION SERVICE VALVE
SWT04049	2	1	SWITCH; HIGH PRESSURE
VAL18877	3	1	VALVE; REVERSING SWITCH OVER VALVE, 4 WAY VALVE
VAL18861	4	1	VALVE; THROTTLE ASSEMBLY
BAS03121	5	1	BASE; ASSEMBLY
ACC00335	6	1	ACCUMULATOR
WIR08471	7	1	HARNESS; COMPRESSOR
ELM09311	8	1	ELEMENT; COMPRESSOR CRANKCASE HEATING
COL28402	9	1	COIL; ASSEMBLY
PNL33843	10	1	COVER; ASSY, TOP
FAN05660	11	1	FAN; FAN BLADE ASSEMBLY
MOT16143	12	1	MOTOR; FAN; PSC, 1/8HP, 208 - 230V, 60HZ, 6UF CAPACITOR
GRL02053	13	1	GRILLE; FAN
PNL33839	14	2	PANEL; ASSY, SIDE BOARD
PNL33841	15	1	PANEL; SUPPORT BOARD
SEN02523	16	1	SENSOR; CONDENSER COIL TEMP
WIR09213	17	1	WIRE; GROUND, GREEN
COM12772	18	1	COMPRESSOR; SCROLL; LG; LBA016C1CLA; 1.5 TON; 15,500 BTUH; 208/230-60-1; R-410A; BRAZED; SUCTION 3/4; DISCHARGE 1/2
VAL18884	19	1	VALVE; ONE WAY CHECK VALVE
VAL12457	20	1	TUBE; LIQUID ASSEMBLY
PNL33848	21	1	PANEL; UPWARD SIDE BOARD
PNL35663	22	1	PANEL; SIDE PLATE ASSEMBLY
SWT04155	23	1	SWITCH; PRESSURE
VAL18872	24	1	VALVE; SUCTION PIPE ASSEMBLY
VAL18859	25	1	VALVE; 4-WAY ASSEMBLY
CON02023	26	1	CONNECTOR; PIPE JOINT ASSEMBLY

ELECTRIC PART BOX ASSEMBLY
1.5 & 2.0 TON HP

75012604

REV.
A



All orderable Service Parts are identified for this product.

Parts that are not identified, will not be available to order.

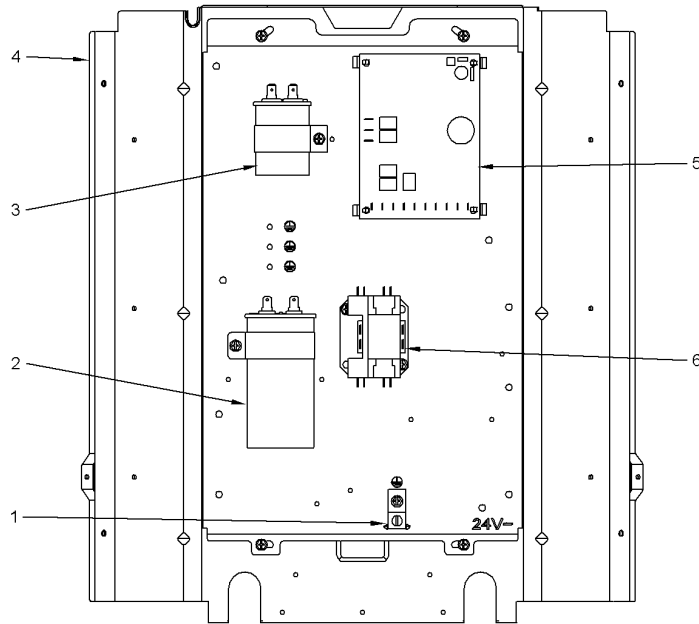
This is a typical illustration. The unit in the field may not appear exactly as shown.

Part No.	Reference No.	Quantity	Description
75012604_M4HPUP3_205692~P	*		ELECTRIC BOX ASSEMBLY PARTS LIST

ELECTRIC PART BOX ASSEMBLY
1.5 & 2.0 TON HP

75012604

REV.
A



All orderable Service Parts are identified for this product.

Parts that are not identified, will not be available to order.

This is a typical illustration. The unit in the field may not appear exactly as shown.

Part No.	Reference No.	Quantity	Description
TER01703	1	1	LUG; GROUND LUG
CPT02568	2	1	CAPACITOR; RUN; 35UF/450V-P2(2000H)
CPT02520	3	1	CAPACITOR; FAN; 6UF/450V-P2(2000H)
BOX03598	4	1	BOX; ELETRICAL ASSEMBLY
BRD06611	5	1	BOARD; CONTROL
CTR02987	6	1	CONTACTOR; AC, 24V