

<b>Part No.</b>	<b>Reference No.</b>	<b>Quantity</b>	<b>Description</b>
75009809#M4HPUP1~S	*		GENERAL ASSEMBLY
M4HPUP1_M4HPUP1_182129~P	*		M4HPUP1 PARTS LIST
75009815#M4HPUP1~S	*		MODEL NOMENCLATURE

NO GRAPHIC AVAILABLE

75013702

REV  
A

**NO  
GRAPHIC  
AVAILABLE**

MODEL NOMENCLATURE

75009815

REV  
A

Heat Pumps

Model Number Example

**M 4 H P 3 0 1 8 A 1 0 0 0 A A**  
**1 2 3 4 5 6 7 8 9 10 11 12 13 14 15**

Digit 1 = Brand Name  
M = Ameristar

Digit 2 = Refrigerant  
2 = R22  
4 = R410A

Digit 3-4 = Unit Type  
HP = Heat Pump

Digit 5 = Efficiency Tier  
3 - 13 SEER  
4 - 14 SEER

Digit 6,7,8 = Tonnage  
018 = 1.5 ton  
024 = 2.0 ton  
030 = 2.5 ton  
036 = 3.0 ton  
042 = 3.5 ton  
048 = 4.0 ton  
060 = 5.0 ton

Digit 9 = Major Development Sequence  
Alphabet Letter; "A" through "Z"

Digit 10 = Electric Power Supply Characteristics  
1 = 200-230V/1PH/60Hz or 208-230V/1PH/60Hz

Digit 11,12,13 = Secondary Function  
000 = No Secondary Function

Digit 14,15 = Minor Design Sequence - Design Change  
Alphabet Letter; "A" through "Z"

MODEL NOMENCLATURE

Parts List Number :M4HPUP1#M4HPUP1

Model Number :M4HP3024A1000AA

Part No.	Reference No.	Quantity	Description
75009815_M4HPUP1_182134~P	*		MODEL NOMENCLATURE PARTS LIST

MODEL NOMENCLATURE

75009815

REV  
A

Heat Pumps

Model Number Example

**M 4 H P 3 0 1 8 A 1 0 0 0 A A**  
**1 2 3 4 5 6 7 8 9 10 11 12 13 14 15**

Digit 1 = Brand Name  
M = Ameristar

Digit 2 = Refrigerant  
2 = R22  
4 = R410A

Digit 3-4 = Unit Type  
HP = Heat Pump

Digit 5 = Efficiency Tier  
3 - 13 SEER  
4 - 14 SEER

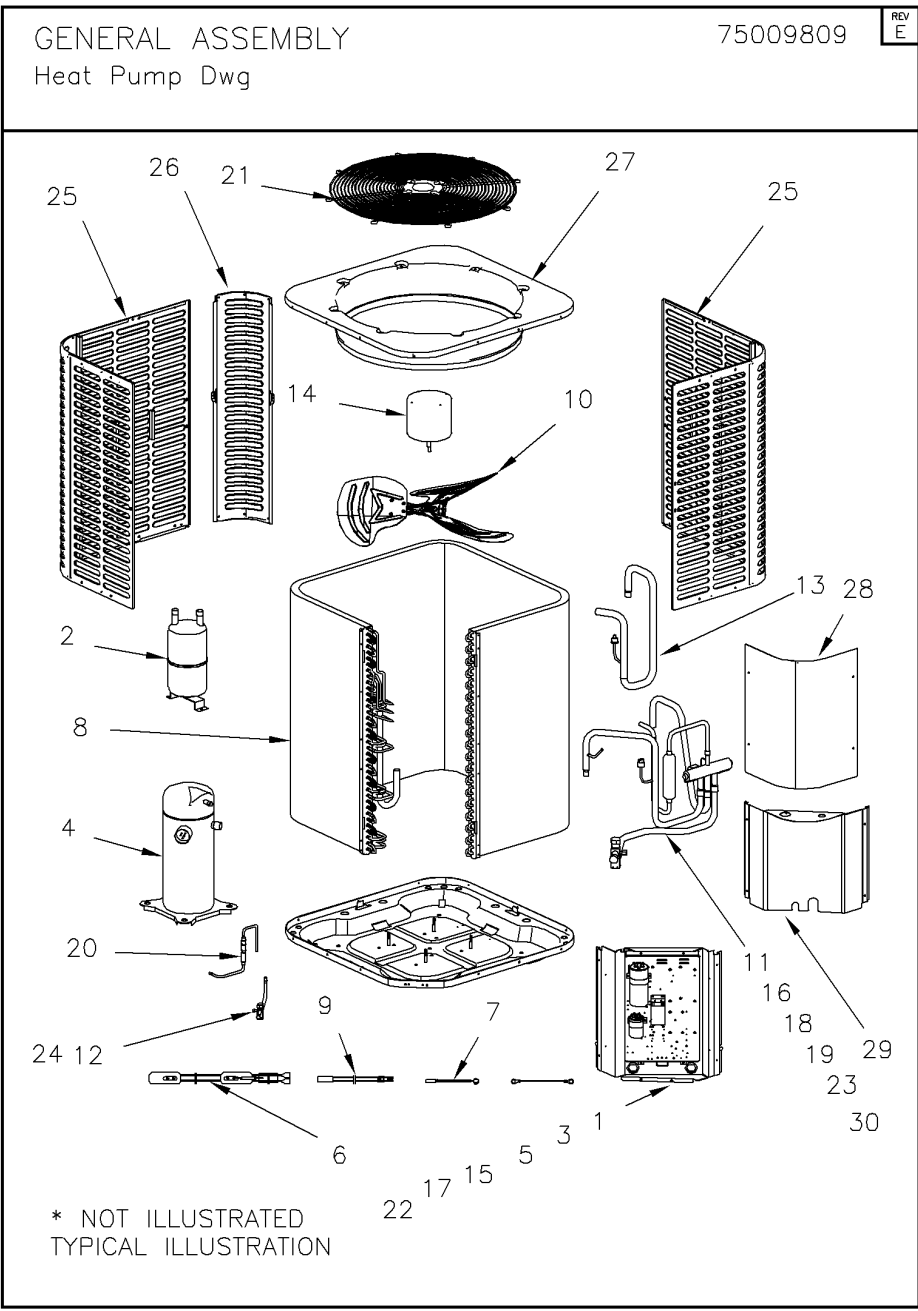
Digit 6,7,8 = Tonnage  
018 = 1.5 ton  
024 = 2.0 ton  
030 = 2.5 ton  
036 = 3.0 ton  
042 = 3.5 ton  
048 = 4.0 ton  
060 = 5.0 ton

Digit 9 = Major Development Sequence  
Alphabet Letter; "A" through "Z"

Digit 10 = Electric Power Supply Characteristics  
1 = 200-230V/1PH/60Hz or 208-230V/1PH/60Hz

Digit 11,12,13 = Secondary Function  
000 = No Secondary Function

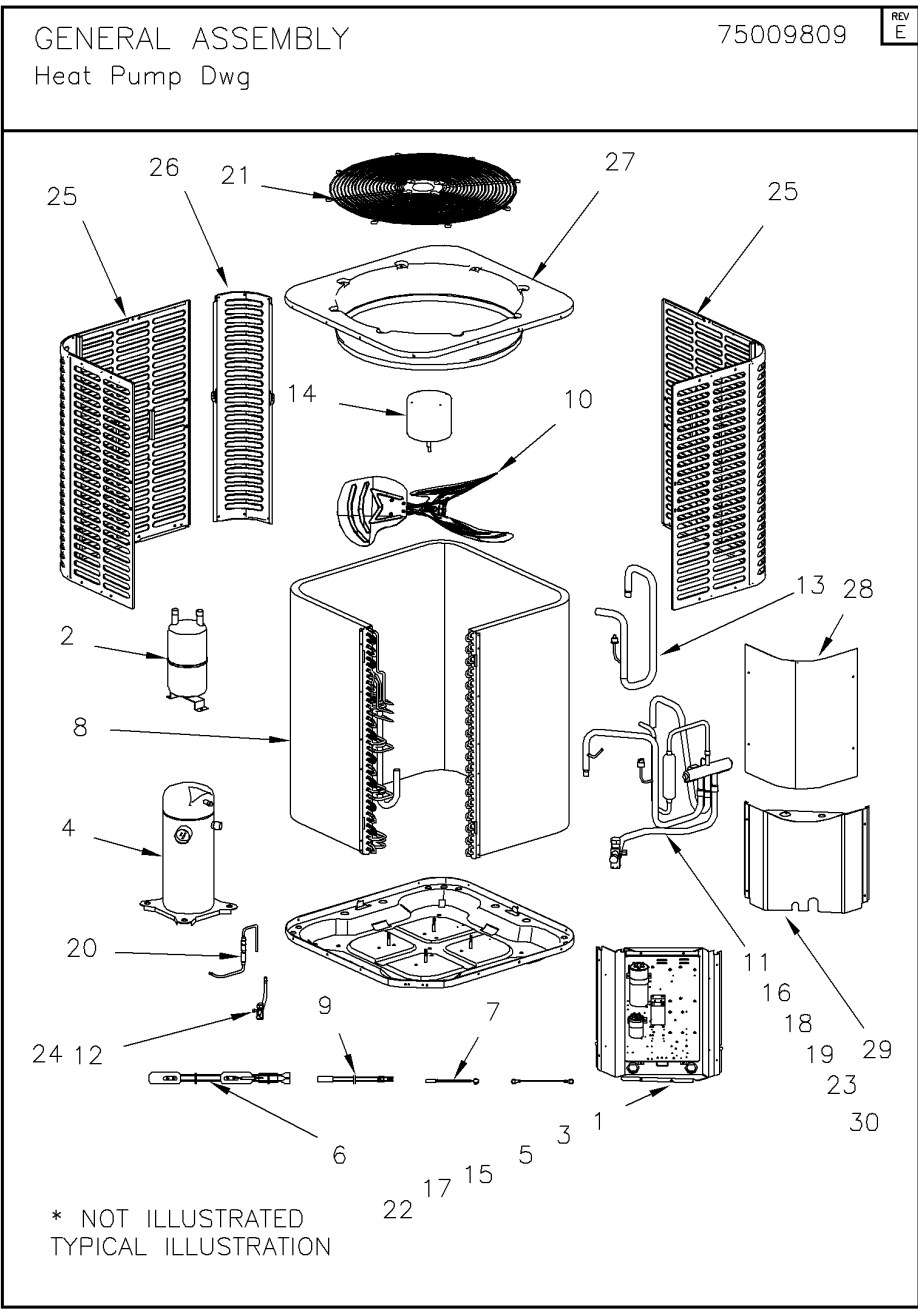
Digit 14,15 = Minor Design Sequence - Design Change  
Alphabet Letter; "A" through "Z"



Parts List Number :M4HPUP1#M4HPUP1

Model Number :M4HP3024A1000AA

Part No.	Reference No.	Quantity	Description
75009809_M4HPUP1_301614~P	*		GENERAL ASSEMBLY PARTS LIST



Part No.	Reference No.	Quantity	Description
WIR06669	*	1	WIRE; COMPRESSOR CONNECT ASSEMBLY
CTR02652	1	1	CONTACTOR; AC, 24V
ACC00285	2	1	ACCUMULATOR;
SEN02026	3	1	SENSOR; AMBIENT TEMP
COM10522	4	1	COMPRESSOR; SCROLL; ALLIANCE; R-410A; 1.7 TON (20,000 BTU/H); 208-230/1/60; 3/4"S X 1/2"D STUB CONNECTIONS; SXA016C1BPZ
CPT02055	5	1	CAPACITOR; COMPRESSOR; SIZE 35UF, 450VAC 50/60HZ
ELM08570	6	1	ELEMENT; COMPRESSOR CRANKCASE HEATING
SEN02027	7	1	SENSOR; CONDENSER COIL TEMP.
COL28052	8	1	COIL; ASSEMBLY
SEN02028	9	1	SENSOR; DISCHARGE TEMP
FAN04640	10	1	FAN; BLADE
SWT03618	11	1	SWITCH; HIGH PRESSURE
VAL10520	12	1	VALVE; LIQUID SIDE BODY
SWT03616	13	1	SWITCH; LOW PRESSURE
MOT14555	14	1	MOTOR; FAN
CPT02056	15	1	CAPACITOR; MOTOR, 6UF (MFD), 450VAC 50/60HZ
MFD01353	16	1	MUFFLER;
BRD04302	17	1	BOARD; PCB, MAIN CONTROL ASSEMBLY
VAL10536	18	1	VALVE; REVERSING VALVE
VAL10535	19	1	VALVE; SUCTION SIDE BODY
VAL10540	20	1	VALVE; THROTTLE ASSEMBLY, PISTON
GRL01831	21	1	GRILLE; TOP COVER
BRD04301	22	1	BOARD; INSTALLATION ASSEMBLY
SWT03617	23	1	SWITCH; REVERSING VALVE SOLENOID
VAL10516	24	1	VALVE; HIGH-PRESSURE ASSEMBLY
PNL28965	25	2	PANEL; ASSY, SIDE BOARD
PNL28962	26	1	PANEL; SUPPORT BOARD
PNL28977	27	1	COVER; ASSY, TOP
PNL28940	28	1	PANEL; UPWARD SIDE BOARD
PNL29783	29	1	PANEL; BELOW SIDE BOARD ASSEMBLY