

Part No.	Reference No.	Quantity	Description
75010177#M4AHUP2-S	*		GENERAL ASSEMBLY COILS
M4AHUP2_M4AHUP2_142240-P	*		M4AHUP2 PARTS LIST
75009813#M4AHUP2-S	*		MODEL NOMENCLATURE COILS
75010192#M4AHUP2-S	*		ORIFICE KITS CHART
75010193#M4AHUP2-S	*		TXV KITS CHART

NO GRAPHIC AVAILABLE

75013702

REV
A

**NO
GRAPHIC
AVAILABLE**

MODEL NOMENCLATURE

75009813

REV
A

Coils

Model Number Example

M 4 C X C 0 1 8 A A 1 C A A A
1 2 3 4 5 6 7 8 9 10 11 12 13 14 15

Digit 1 = Brand Name
 M = Ameristar

Digit 2 = Refrigerant
 2 = R22
 4 = R410A

Digit 3 = Unit Type
 C = Cooling

Digit 4 =
 X = Evaporator

Digit 5 =
 C = Cased
 U = Uncased

Digit 6 =
 0 = Brazed Line Sets

Digit 7,8 = Tonnage

18 = 1.5 ton
 19 = 1.58 ton
 24 = 2.0 ton
 25 = 2.08 ton
 30 = 2.5 ton
 31 = 2.58 ton
 32 = 2.66 ton
 35 = 2.92 ton
 36 = 3.0 ton
 42 = 3.5 ton
 48 = 4.0 ton
 49 = 4.08 ton
 60 = 5.0 ton
 61 = 5.08 ton

Digit 9 = Major Development Sequence
 A = First Major Development Sequence

Digit 10 = Coil Width
 A = 14.5"
 B = 17.5"
 C = 21"
 D = 24.5"

Digit 11 = Refrigerant Control
 1 = Orifice
 3 = Non Bleed

Digit 12 = Circuitry
 C = Cooling

Digit 13 = Air Flow Configuration
 A = Multi pos.
 U = Up flow
 H = Horizontal

Digit 14 = Minor Design Sequence
 A = First Design Sequence
 B = Second Design Sequence
 C = Third Design Sequence

Digit 15 = Service Digit
 A = First Service Change
 B = First Service Change
 C = First Service Change

Part No.	Reference No.	Quantity	Description
75009813_M4AHUP2_191403~P	*		MODEL NOMENCLATURE COILS PARTS LIST

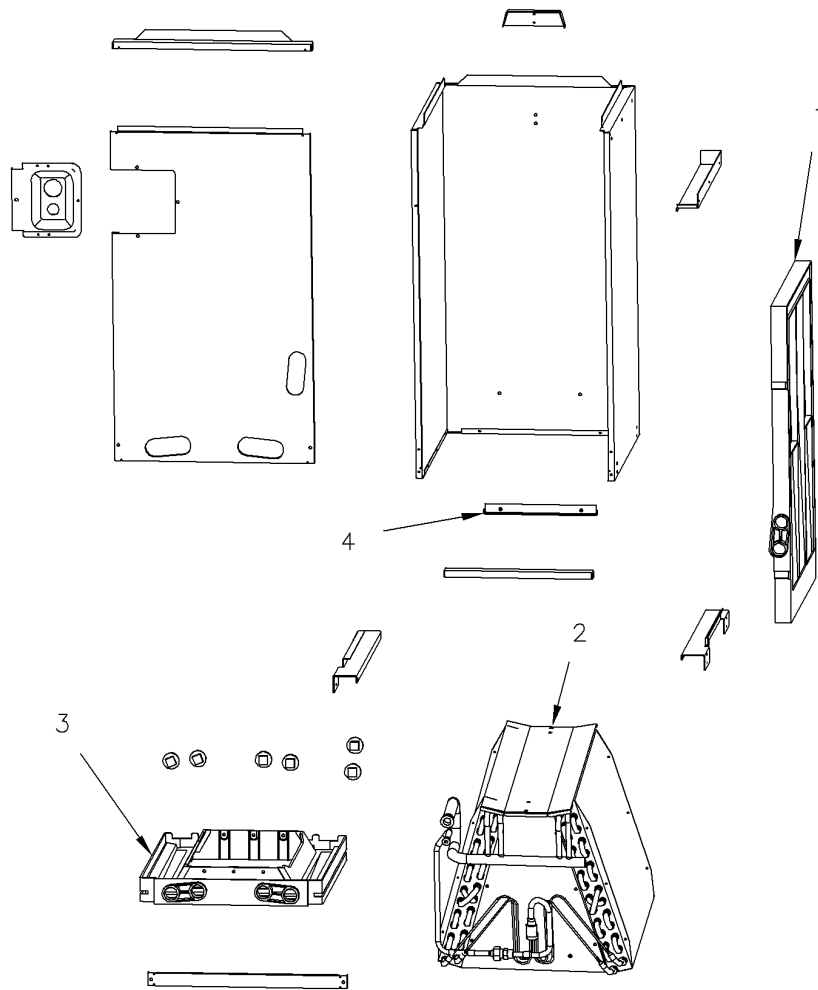
MODEL NOMENCLATURE Coils	75009813	REV A
Model Number Example M 4 C X C 0 1 8 A A 1 C A A A 1 2 3 4 5 6 7 8 9 10 11 12 13 14 15		
Digit 1 = Brand Name M = Ameristar Digit 2 = Refrigerant 2 = R22 4 = R410A Digit 3 = Unit Type C = Cooling Digit 4 = X = Evaporator Digit 5 = C = Cased U = Uncased Digit 6 = 0 = Brazed Line Sets Digit 7,8 = Tonnage 18 = 1.5 ton 19 = 1.58 ton 24 = 2.0 ton 25 = 2.08 ton 30 = 2.5 ton 31 = 2.58 ton 32 = 2.66 ton 35 = 2.92 ton 36 = 3.0 ton 42 = 3.5 ton 48 = 4.0 ton 49 = 4.08 ton 60 = 5.0 ton 61 = 5.08 ton	Digit 9 = Major Development Sequence A = First Major Development Sequence Digit 10 = Coil Width A = 14.5" B = 17.5" C = 21" D = 24.5" Digit 11 = Refrigerant Control 1 = Orifice 3 = Non Bleed Digit 12 = Circuitry C = Cooling Digit 13 = Air Flow Configuration A = Multi pos. U = Up flow H = Horizontal Digit 14 = Minor Design Sequence A = First Design Sequence B = Second Design Sequence C = Third Design Sequence Digit 15 = Service Digit A = First Service Change B = First Service Change C = First Service Change	

GENERAL ASSEMBLY

75010177

REV
A

Ameristar Gen 2
Coil Section



* NOT ILLUSTRATED
TYPICAL ILLUSTRATION

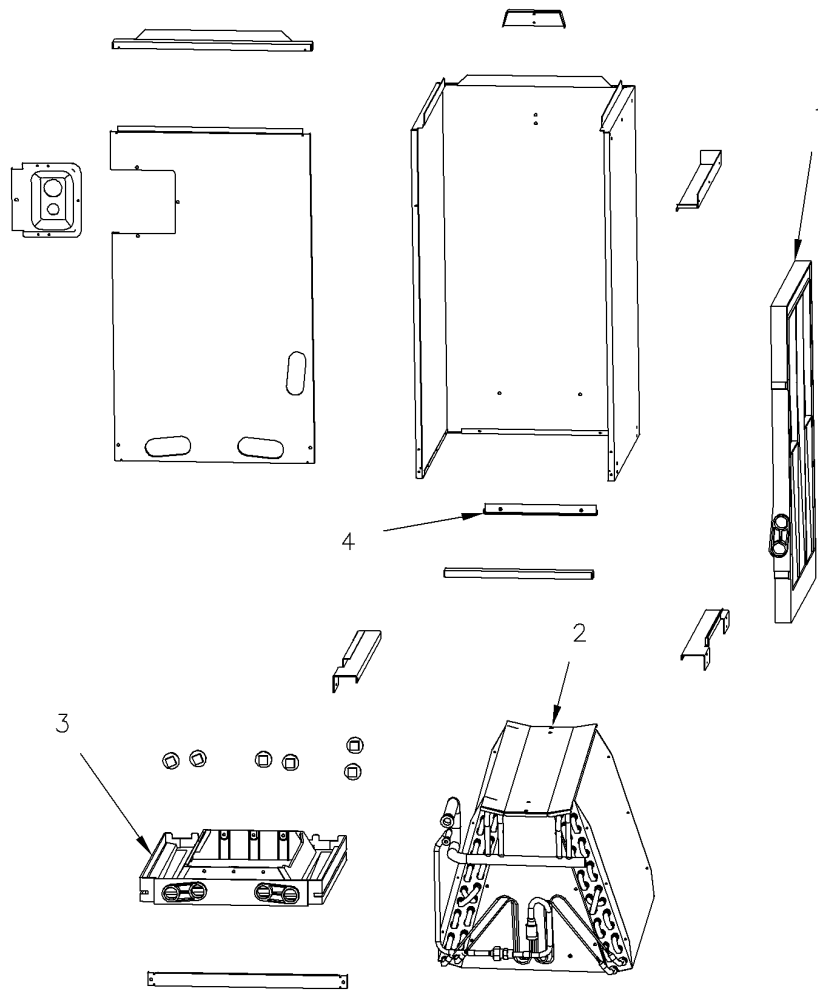
Part No.	Reference No.	Quantity	Description
75010177_M4AHUP2_209858~P	*		GENERAL ASSEMBLY COILS PARTS LIST

GENERAL ASSEMBLY

75010177

REV
A

Ameristar Gen 2
Coil Section



* NOT ILLUSTRATED
TYPICAL ILLUSTRATION

Parts List Number :M4AHUP2#M4AHUP2

Model Number :M4CXC028BA1CAA

Part No.	Reference No.	Quantity	Description
PAN03279	1	1	PAN; HORIZONTAL DRAINAGE
COL20278	2	1	COIL; EVAPORATOR ASSEMBLY
PAN03277	3	1	PAN; VERTICAL DRAINAGE
BAF01377	4	1	BAFFLE; DRAINAGE

Condensing Unit	Air Handle / A-Coil	Piston Size	Optional TXV	SEER	If Preinstalled Piston Replace Required	
AC	M4AC3018B1000AA	M4CXC024BA1CAAA	C050	MAYTXVACAC1818AA	13	YES
		M4CXC025BB1CAAA	C050	MAYTXVACAC1818AA	13	YES
		M4AH3018B1000AA	C050	MAYTXVACAC1818AA	13	YES
	M4AC3024B1000AA	M4CXC024BA1CAAA	C056	MAYTXVACHP1830AA	13	NO
		M4CXC025BB1CAAA	C056	MAYTXVACHP1830AA	13	NO
	M4AH3024B1000AA	M4CXC024BA1CAAA	C056	MAYTXVACHP1830AA	13	NO
		M4CXC025BB1CAAA	C056	MAYTXVACHP1830AA	13	NO
	M4AC3030B1000AA	M4CXC024BA1CAAA	C060	MAYTXVACHP1830AA	13	YES
		M4CXC025BB1CAAA	C060	MAYTXVACHP1830AA	13	YES
	M4AH3030B1000AA	M4CXC024BA1CAAA	C060	MAYTXVACHP1830AA	13	YES
		M4CXC025BB1CAAA	C060	MAYTXVACHP1830AA	13	YES
	M4AC3036B1000AA	M4CXC035BA1CAAA	C069	MAYTXVACHP3642AA	13	NO
		M4CXC035BB1CAAA	C067	MAYTXVACHP3642AA	13	NO
		M4CXC035BC1CAAA	C067	MAYTXVACHP3642AA	13	NO
	M4AH3036B1000AA	M4CXC035BA1CAAA	C069	MAYTXVACHP3642AA	13	YES
		M4CXC035BB1CAAA	C067	MAYTXVACHP3642AA	13	YES
		M4CXC035BC1CAAA	C067	MAYTXVACHP3642AA	13	YES
	M4AC3042B1000AA	M4CXC042BB1CAAA	C074	MAYTXVACHP3642AA	13	NO
		M4CXC048BC1CAAA	C074	MAYTXVACHP3642AA	13	YES
		M4CXC060BD1CAAA	C074	MAYTXVACHP3642AA	13	YES
	M4AH3042B1000AA	M4CXC042BB1CAAA	C074	MAYTXVACHP3642AA	13	YES
		M4CXC048BC1CAAA	C074	MAYTXVACHP3642AA	13	YES
		M4CXC060BD1CAAA	C074	MAYTXVACHP3642AA	13	YES
	M4AC3048B1000AA	M4CXC042BB1CAAA	C078	MAYTXVACHP4848AA	13	YES
M4CXC048BC1CAAA		C078	MAYTXVACHP4848AA	13	NO	
M4CXC060BD1CAAA		C078	MAYTXVACHP4848AA	13	NO	
M4AH3048B1000AA	M4CXC042BB1CAAA	C078	MAYTXVACHP4848AA	13	YES	
	M4CXC048BC1CAAA	C078	MAYTXVACHP4848AA	13	YES	
	M4CXC060BD1CAAA	C078	MAYTXVACHP4848AA	13	YES	
M4AC3060B1000AA	M4CXC049BC1CAAA	C088	MAYTXVACHP6060AA	13	NO	
	M4CXC061BD1CAAA	C088	MAYTXVACHP6060AA	13	NO	
M4AH3060B1000AA	M4CXC061BD1CAAA	C088	MAYTXVACHP6060AA	13	NO	
M4AH3060B1000AA	M4CXC060BD1CAAA	C090	MAYTXVACHP6060AA	13	YES	
HP	M4HP3016A1000AA	M4AH3018B1000AA	C051	MAYTXVACHP1830AA	13	NO
	M4HP3024A1000AA	M4AH3024B1000AA	C056	MAYTXVACHP1830AA	13	NO
	M4HP3030A1000AA	M4AH3030B1000AA	C061	MAYTXVACHP1830AA	13	NO
	M4HP3036A1000AA	M4AH3036B1000AA	C066	MAYTXVACHP3642AA	13	NO
	M4HP3042A1000AA	M4AH3042B1000AA	C075	MAYTXVACHP3642AA	13	NO
	M4HP3048A1000AA	M4AH3048B1000AA	C083	MAYTXVACHP4848AA	13	NO
M4HP3060A1000AA	M4AH3060B1000AA	C096	MAYTXVACHP6060AA	13	NO	

*The optional TXV means the recommended model for field installation.

Parts List Number :M4AHUP2#M4AHUP2

Model Number :M4CXC028BA1CAAA

Part No.	Reference No.	Quantity	Description
75010193_M4AHUP2_142245~P	*		TXV KITS CHART PARTS LIST

Condensing Unit	Air Handle / A-Coil	Piston Size	Optional TXV	SEER	If Preinstalled Piston Replace Required		
AC	M4AC3018B1000AA	M4CXC024BA1CAAA	C050	MAYTXVACAC1818AA	13	YES	
		M4CXC025BB1CAAA	C050	MAYTXVACAC1818AA	13	YES	
		M4AH3018B1000AA	C050	MAYTXVACAC1818AA	13	YES	
	M4AC3024B1000AA	M4CXC024BA1CAAA	C056	MAYTXVACHP1830AA	13	NO	
		M4CXC025BB1CAAA	C056	MAYTXVACHP1830AA	13	NO	
	M4AC3024B1000AA	M4AH3024B1000AA	C056	MAYTXVACHP1830AA	13	NO	
		M4CXC024BA1CAAA	C060	MAYTXVACHP1830AA	13	YES	
	M4AC3030B1000AA	M4CXC025BB1CAAA	C060	MAYTXVACHP1830AA	13	YES	
		M4AH3030B1000AA	C063	MAYTXVACHP1830AA	13	YES	
	M4AC3036B1000AA	M4CXC035BA1CAAA	C069	MAYTXVACHP3642AA	13	NO	
		M4CXC035BB1CAAA	C067	MAYTXVACHP3642AA	13	NO	
		M4CXC035BC1CAAA	C067	MAYTXVACHP3642AA	13	NO	
	M4AC3042B1000AA	M4AH3036B1000AA	C071	MAYTXVACHP3642AA	13	YES	
		M4CXC042BB1CAAA	C074	MAYTXVACHP3642AA	13	NO	
		M4CXC048BC1CAAA	C074	MAYTXVACHP3642AA	13	YES	
	M4AC3042B1000AA	M4CXC060BD1CAAA	C074	MAYTXVACHP3642AA	13	YES	
		M4AH3042B1000AA	C072	MAYTXVACHP3642AA	13	YES	
		M4CXC042BB1CAAA	C078	MAYTXVACHP4848AA	13	YES	
	M4AC3048B1000AA	M4CXC048BC1CAAA	C078	MAYTXVACHP4848AA	13	NO	
		M4CXC060BD1CAAA	C078	MAYTXVACHP4848AA	13	NO	
		M4AH3048B1000AA	C078	MAYTXVACHP4848AA	13	YES	
	M4AC3060B1000AA	M4CXC049BC1CAAA	C088	MAYTXVACHP6060AA	13	NO	
		M4CXC061BD1CAAA	C088	MAYTXVACHP6060AA	13	NO	
	M4AC3060B1000AA	M4AH3060B1000AA	C090	MAYTXVACHP6060AA	13	YES	
	HP	M4HP3018A1000AA	M4AH3018B1000AA	C051	MAYTXVACHP1830AA	13	NO
		M4HP3024A1000AA	M4AH3024B1000AA	C056	MAYTXVACHP1830AA	13	NO
		M4HP3030A1000AA	M4AH3030B1000AA	C061	MAYTXVACHP1830AA	13	NO
		M4HP3036A1000AA	M4AH3036B1000AA	C066	MAYTXVACHP3642AA	13	NO
		M4HP3042A1000AA	M4AH3042B1000AA	C075	MAYTXVACHP3642AA	13	NO
		M4HP3048A1000AA	M4AH3048B1000AA	C083	MAYTXVACHP4848AA	13	NO
M4HP3060A1000AA		M4AH3060B1000AA	C096	MAYTXVACHP6060AA	13	NO	

*The optional TXV means the recommended model for field installation.

Parts List Number :M4AHUP2#M4AHUP2

Model Number :M4CXC028BA1CAAA

Part No.	Reference No.	Quantity	Description
MAYTXVAC	*	1	NO DESCRIPTION AVAILABLE

Parts List Number :M4AHUP2#M4AHUP2

Model Number :M4CXC028BA1CAAA

Part No.	Reference No.	Quantity	Description
75010192_M4AHUP2_142243~P	*		ORIFICE KITS CHART PARTS LIST

Parts List Number :M4AHUP2#M4AHUP2

Model Number :M4CXC028BA1CAA

Part No.	Reference No.	Quantity	Description
MAYORIACHP	*	1	NO DESCRIPTION AVAILABLE