

| <b>Part No.</b>          | <b>Reference No.</b> | <b>Quantity</b> | <b>Description</b>       |
|--------------------------|----------------------|-----------------|--------------------------|
| 75010177#M4AHUP2-S       | *                    |                 | GENERAL ASSEMBLY COILS   |
| M4AHUP2_M4AHUP2_142240-P | *                    |                 | M4AHUP2 PARTS LIST       |
| 75009813#M4AHUP2-S       | *                    |                 | MODEL NOMENCLATURE COILS |
| 75010192#M4AHUP2-S       | *                    |                 | ORIFICE KITS CHART       |
| 75010193#M4AHUP2-S       | *                    |                 | TXV KITS CHART           |

NO GRAPHIC AVAILABLE

75013702

REV  
A

**NO  
GRAPHIC  
AVAILABLE**

MODEL NOMENCLATURE

75009813

REV  
A

Coils

Model Number Example

**M 4 C X C 0 1 8 A A 1 C A A A**  
**1 2 3 4 5 6 7 8 9 10 11 12 13 14 15**

Digit 1 = Brand Name  
 M = Ameristar

Digit 2 = Refrigerant  
 2 = R22  
 4 = R410A

Digit 3 = Unit Type  
 C = Cooling

Digit 4 =  
 X = Evaporator

Digit 5 =  
 C = Cased  
 U = Uncased

Digit 6 =  
 0 = Brazed Line Sets

Digit 7,8 = Tonnage

18 = 1.5 ton  
 19 = 1.58 ton  
 24 = 2.0 ton  
 25 = 2.08 ton  
 30 = 2.5 ton  
 31 = 2.58 ton  
 32 = 2.66 ton  
 35 = 2.92 ton  
 36 = 3.0 ton  
 42 = 3.5 ton  
 48 = 4.0 ton  
 49 = 4.08 ton  
 60 = 5.0 ton  
 61 = 5.08 ton

Digit 9 = Major Development Sequence  
 A = First Major Development Sequence

Digit 10 = Coil Width  
 A = 14.5"  
 B = 17.5"  
 C = 21"  
 D = 24.5"

Digit 11 = Refrigerant Control  
 1 = Orifice  
 3 = Non Bleed

Digit 12 = Circuitry  
 C = Cooling

Digit 13 = Air Flow Configuration  
 A = Multi pos.  
 U = Up flow  
 H = Horizontal

Digit 14 = Minor Design Sequence  
 A = First Design Sequence  
 B = Second Design Sequence  
 C = Third Design Sequence

Digit 15 = Service Digit  
 A = First Service Change  
 B = First Service Change  
 C = First Service Change

MODEL NOMENCLATURE COILS

Parts List Number :M4AHUP2#M4AHUP2

Model Number :M4CXC025BB1CAAA

| Part No.                  | Reference No. | Quantity | Description                         |
|---------------------------|---------------|----------|-------------------------------------|
| 75009813_M4AHUP2_191403~P | *             |          | MODEL NOMENCLATURE COILS PARTS LIST |

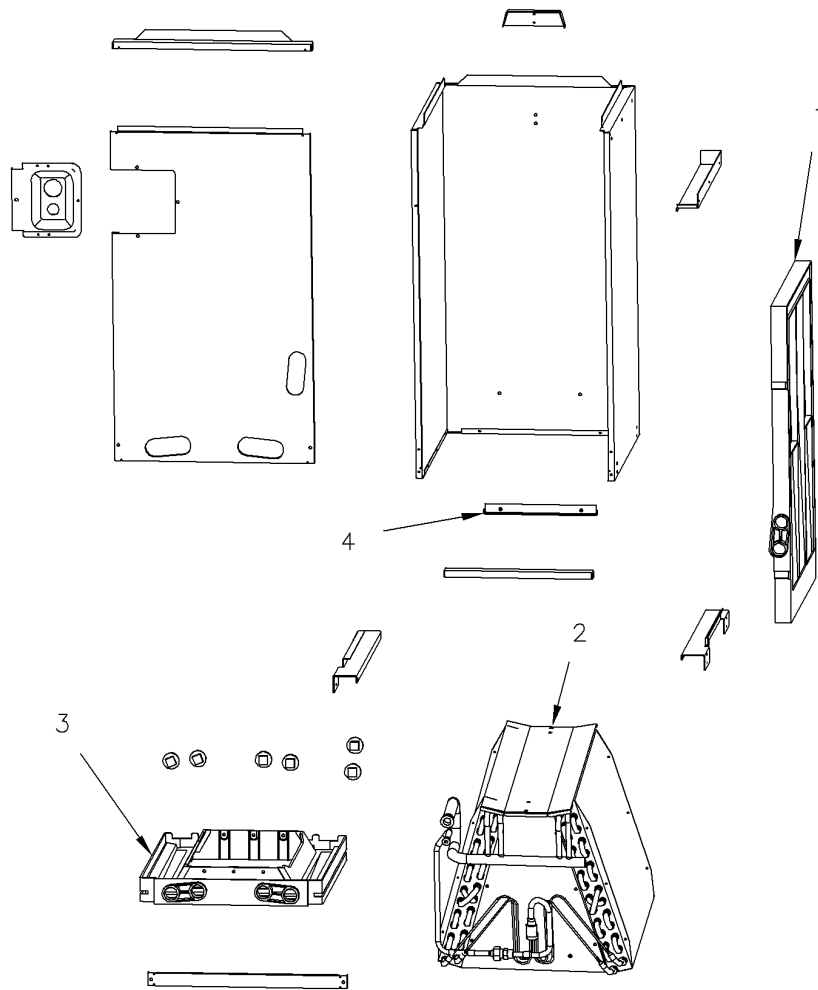
|   |  |          |
|---|--|----------|
| MODEL NOMENCLATURE<br>Coils   | 75009813   | REV<br>A |
| <b>Model Number Example</b><br><b>M 4 C X C 0 1 8 A A 1 C A A A</b><br><b>1 2 3 4 5 6 7 8 9 10 11 12 13 14 15</b>   |  |          |
| Digit 1 = Brand Name<br>M = Ameristar<br><br>Digit 2 = Refrigerant<br>2 = R22<br>4 = R410A<br><br>Digit 3 = Unit Type<br>C = Cooling<br><br>Digit 4 =<br>X = Evaporator<br><br>Digit 5 =<br>C = Cased<br>U = Uncased<br><br>Digit 6 =<br>0 = Brazed Line Sets<br><br>Digit 7,8 = Tonnage<br>18 = 1.5 ton<br>19 = 1.58 ton<br>24 = 2.0 ton<br>25 = 2.08 ton<br>30 = 2.5 ton<br>31 = 2.58 ton<br>32 = 2.66 ton<br>35 = 2.92 ton<br>36 = 3.0 ton<br>42 = 3.5 ton<br>48 = 4.0 ton<br>49 = 4.08 ton<br>60 = 5.0 ton<br>61 = 5.08 ton | Digit 9 = Major Development Sequence<br>A = First Major Development Sequence<br><br>Digit 10 = Coil Width<br>A = 14.5"<br>B = 17.5"<br>C = 21"<br>D = 24.5"<br><br>Digit 11 = Refrigerant Control<br>1 = Orifice<br>3 = Non Bleed<br><br>Digit 12 = Circuitry<br>C = Cooling<br><br>Digit 13 = Air Flow Configuration<br>A = Multi pos.<br>U = Up flow<br>H = Horizontal<br><br>Digit 14 = Minor Design Sequence<br>A = First Design Sequence<br>B = Second Design Sequence<br>C = Third Design Sequence<br><br>Digit 15 = Service Digit<br>A = First Service Change<br>B = First Service Change<br>C = First Service Change |          |

GENERAL ASSEMBLY

75010177

REV  
A

Ameristar Gen 2  
Coil Section



\* NOT ILLUSTRATED  
TYPICAL ILLUSTRATION

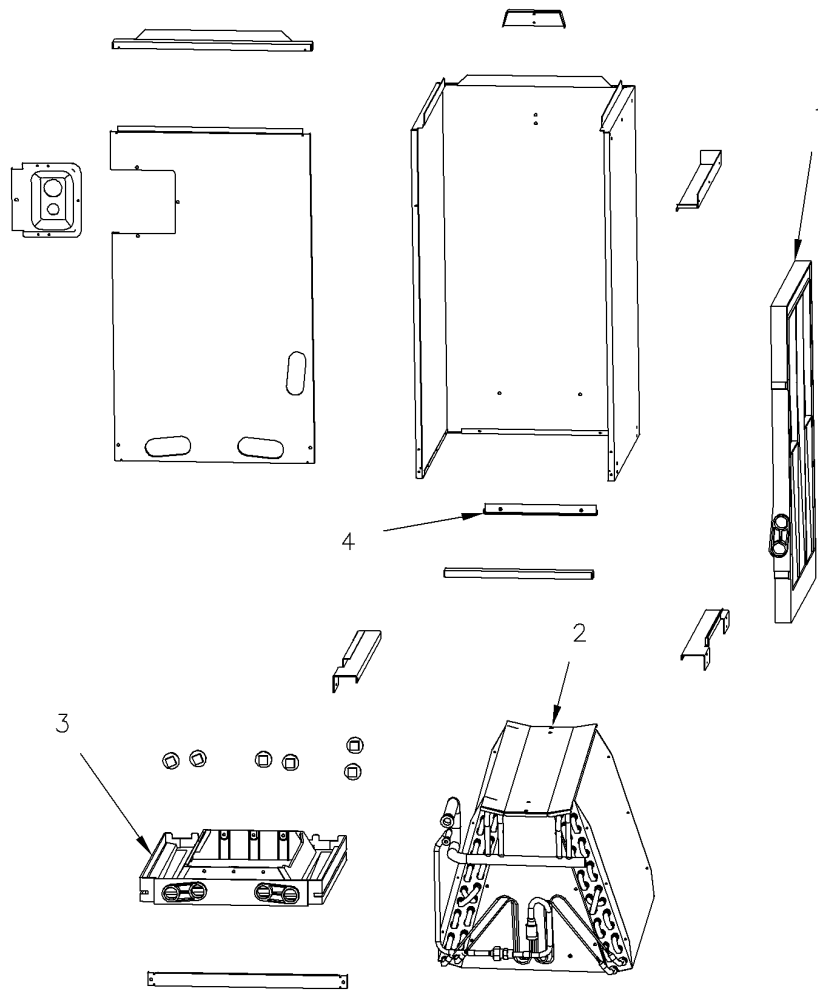
| Part No.                  | Reference No. | Quantity | Description                       |
|---------------------------|---------------|----------|-----------------------------------|
| 75010177_M4AHUP2_283291~P | *             |          | GENERAL ASSEMBLY COILS PARTS LIST |

GENERAL ASSEMBLY

75010177

REV  
A

Ameristar Gen 2  
Coil Section



\* NOT ILLUSTRATED  
TYPICAL ILLUSTRATION

Parts List Number :M4AHUP2#M4AHUP2

Model Number :M4CXC025BB1CAAA

| <b>Part No.</b> | <b>Reference No.</b> | <b>Quantity</b> | <b>Description</b>        |
|-----------------|----------------------|-----------------|---------------------------|
| PAN03276        | 1                    | 1               | PAN; HORIZONTAL DRAINAGE  |
| COL20275        | 2                    | 1               | COIL; EVAPORATOR ASSEMBLY |
| PAN03278        | 3                    | 1               | PAN; VERTICAL DRAINAGE    |
| BAF01377        | 4                    | 1               | BAFFLE; DRAINAGE          |

| Condensing Unit | Air Handle / A-Coil | Piston Size     | Optional TXV    | SEER             | If Preinstalled Piston Replace Required |     |    |
|-----------------|---------------------|-----------------|-----------------|------------------|---|-----|----|
| AC              | M4AC3018B1000AA     | M4CXC024BA1CAAA | C050            | MAYTXVACAC1818AA | 13                                      | YES |    |
|                 |                     | M4CXC025BB1CAAA | C050            | MAYTXVACAC1818AA | 13                                      | YES |    |
|                 |                     | M4AH3018B1000AA | C050            | MAYTXVACAC1818AA | 13                                      | YES |    |
|                 | M4AC3024B1000AA     | M4CXC024BA1CAAA | C056            | MAYTXVACHP1830AA | 13                                      | NO  |    |
|                 |                     | M4CXC025BB1CAAA | C056            | MAYTXVACHP1830AA | 13                                      | NO  |    |
|                 | M4AC3024B1000AA     | M4AH3024B1000AA | C056            | MAYTXVACHP1830AA | 13                                      | NO  |    |
|                 |                     | M4CXC024BA1CAAA | C060            | MAYTXVACHP1830AA | 13                                      | YES |    |
|                 | M4AC3030B1000AA     | M4CXC025BB1CAAA | C060            | MAYTXVACHP1830AA | 13                                      | YES |    |
|                 |                     | M4AH3030B1000AA | C063            | MAYTXVACHP1830AA | 13                                      | YES |    |
|                 | M4AC3036B1000AA     | M4CXC035BA1CAAA | C069            | MAYTXVACHP3642AA | 13                                      | NO  |    |
|                 |                     | M4CXC035BB1CAAA | C067            | MAYTXVACHP3642AA | 13                                      | NO  |    |
|                 |                     | M4CXC035BC1CAAA | C067            | MAYTXVACHP3642AA | 13                                      | NO  |    |
|                 | M4AC3036B1000AA     | M4AH3036B1000AA | C071            | MAYTXVACHP3642AA | 13                                      | YES |    |
|                 |                     | M4CXC042BB1CAAA | C074            | MAYTXVACHP3642AA | 13                                      | NO  |    |
|                 |                     | M4CXC048BC1CAAA | C074            | MAYTXVACHP3642AA | 13                                      | YES |    |
|                 | M4AC3042B1000AA     | M4CXC060BD1CAAA | C074            | MAYTXVACHP3642AA | 13                                      | YES |    |
|                 |                     | M4AH3042B1000AA | C072            | MAYTXVACHP3642AA | 13                                      | YES |    |
|                 |                     | M4CXC042BB1CAAA | C078            | MAYTXVACHP4848AA | 13                                      | YES |    |
|                 | M4AC3048B1000AA     | M4CXC048BC1CAAA | C078            | MAYTXVACHP4848AA | 13                                      | NO  |    |
|                 |                     | M4CXC060BD1CAAA | C078            | MAYTXVACHP4848AA | 13                                      | NO  |    |
|                 |                     | M4AH3048B1000AA | C078            | MAYTXVACHP4848AA | 13                                      | YES |    |
|                 | M4AC3060B1000AA     | M4CXC049BC1CAAA | C088            | MAYTXVACHP6060AA | 13                                      | NO  |    |
|                 |                     | M4CXC061BD1CAAA | C088            | MAYTXVACHP6060AA | 13                                      | NO  |    |
|                 | M4AC3060B1000AA     | M4AH3060B1000AA | C090            | MAYTXVACHP6060AA | 13                                      | YES |    |
|                 | HP                  | M4HP3018A1000AA | M4AH3018B1000AA | C051             | MAYTXVACHP1830AA                        | 13  | NO |
|                 |                     | M4HP3024A1000AA | M4AH3024B1000AA | C056             | MAYTXVACHP1830AA                        | 13  | NO |
|                 |                     | M4HP3030A1000AA | M4AH3030B1000AA | C061             | MAYTXVACHP1830AA                        | 13  | NO |
|                 |                     | M4HP3036A1000AA | M4AH3036B1000AA | C066             | MAYTXVACHP3642AA                        | 13  | NO |
|                 |                     | M4HP3042A1000AA | M4AH3042B1000AA | C075             | MAYTXVACHP3642AA                        | 13  | NO |
|                 |                     | M4HP3048A1000AA | M4AH3048B1000AA | C083             | MAYTXVACHP4848AA                        | 13  | NO |
| M4HP3060A1000AA |                     | M4AH3060B1000AA | C096            | MAYTXVACHP6060AA | 13                                      | NO  |    |

\*The optional TXV means the recommended model for field installation.

Parts List Number :M4AHUP2#M4AHUP2

Model Number :M4CXC025BB1CAAA

| Part No.                  | Reference No. | Quantity | Description               |
|---------------------------|---------------|----------|---------------------------|
| 75010193_M4AHUP2_142245~P | *             |          | TXV KITS CHART PARTS LIST |

| Condensing Unit | Air Handle / A-Coil | Piston Size     | Optional TXV    | SEER             | If Preinstalled Piston Replace Required |     |    |
|-----------------|---------------------|-----------------|-----------------|------------------|---|-----|----|
| AC              | M4AC3018B1000AA     | M4CXC024BA1CAAA | C050            | MAYTXVACAC1818AA | 13                                      | YES |    |
|                 |                     | M4CXC025BB1CAAA | C050            | MAYTXVACAC1818AA | 13                                      | YES |    |
|                 |                     | M4AH3018B1000AA | C050            | MAYTXVACAC1818AA | 13                                      | YES |    |
|                 | M4AC3024B1000AA     | M4CXC024BA1CAAA | C056            | MAYTXVACHP1830AA | 13                                      | NO  |    |
|                 |                     | M4CXC025BB1CAAA | C056            | MAYTXVACHP1830AA | 13                                      | NO  |    |
|                 | M4AC3024B1000AA     | M4AH3024B1000AA | C056            | MAYTXVACHP1830AA | 13                                      | NO  |    |
|                 |                     | M4CXC024BA1CAAA | C060            | MAYTXVACHP1830AA | 13                                      | YES |    |
|                 | M4AC3030B1000AA     | M4CXC025BB1CAAA | C060            | MAYTXVACHP1830AA | 13                                      | YES |    |
|                 |                     | M4AH3030B1000AA | C063            | MAYTXVACHP1830AA | 13                                      | YES |    |
|                 | M4AC3036B1000AA     | M4CXC035BA1CAAA | C069            | MAYTXVACHP3642AA | 13                                      | NO  |    |
|                 |                     | M4CXC035BB1CAAA | C067            | MAYTXVACHP3642AA | 13                                      | NO  |    |
|                 |                     | M4CXC035BC1CAAA | C067            | MAYTXVACHP3642AA | 13                                      | NO  |    |
|                 | M4AC3036B1000AA     | M4AH3036B1000AA | C071            | MAYTXVACHP3642AA | 13                                      | YES |    |
|                 |                     | M4CXC042BB1CAAA | C074            | MAYTXVACHP3642AA | 13                                      | NO  |    |
|                 |                     | M4CXC048BC1CAAA | C074            | MAYTXVACHP3642AA | 13                                      | YES |    |
|                 | M4AC3042B1000AA     | M4CXC060BD1CAAA | C074            | MAYTXVACHP3642AA | 13                                      | YES |    |
|                 |                     | M4AH3042B1000AA | C072            | MAYTXVACHP3642AA | 13                                      | YES |    |
|                 |                     | M4CXC042BB1CAAA | C078            | MAYTXVACHP4848AA | 13                                      | YES |    |
|                 | M4AC3048B1000AA     | M4CXC048BC1CAAA | C078            | MAYTXVACHP4848AA | 13                                      | NO  |    |
|                 |                     | M4CXC060BD1CAAA | C078            | MAYTXVACHP4848AA | 13                                      | NO  |    |
|                 |                     | M4AH3048B1000AA | C078            | MAYTXVACHP4848AA | 13                                      | YES |    |
|                 | M4AC3060B1000AA     | M4CXC049BC1CAAA | C088            | MAYTXVACHP6060AA | 13                                      | NO  |    |
|                 |                     | M4CXC061BD1CAAA | C088            | MAYTXVACHP6060AA | 13                                      | NO  |    |
|                 | M4AC3060B1000AA     | M4AH3060B1000AA | C090            | MAYTXVACHP6060AA | 13                                      | YES |    |
|                 | HP                  | M4HP3018A1000AA | M4AH3018B1000AA | C051             | MAYTXVACHP1830AA                        | 13  | NO |
|                 |                     | M4HP3024A1000AA | M4AH3024B1000AA | C056             | MAYTXVACHP1830AA                        | 13  | NO |
|                 |                     | M4HP3030A1000AA | M4AH3030B1000AA | C061             | MAYTXVACHP1830AA                        | 13  | NO |
|                 |                     | M4HP3036A1000AA | M4AH3036B1000AA | C066             | MAYTXVACHP3642AA                        | 13  | NO |
|                 |                     | M4HP3042A1000AA | M4AH3042B1000AA | C075             | MAYTXVACHP3642AA                        | 13  | NO |
|                 |                     | M4HP3048A1000AA | M4AH3048B1000AA | C083             | MAYTXVACHP4848AA                        | 13  | NO |
| M4HP3060A1000AA |                     | M4AH3060B1000AA | C096            | MAYTXVACHP6060AA | 13                                      | NO  |    |

\*The optional TXV means the recommended model for field installation.

Parts List Number :M4AHUP2#M4AHUP2

Model Number :M4CXC025BB1CAAA

| <b>Part No.</b> | <b>Reference No.</b> | <b>Quantity</b> | <b>Description</b>       |
|-----------------|----------------------|-----------------|--------------------------|
| MAYTXVAC        | *                    | 1               | NO DESCRIPTION AVAILABLE |



Parts List Number :M4AHUP2#M4AHUP2

Model Number :M4CXC025BB1CAAA

| Part No.                  | Reference No. | Quantity | Description                   |
|---------------------------|---------------|----------|-------------------------------|
| 75010192_M4AHUP2_142243~P | *             |          | ORIFICE KITS CHART PARTS LIST |



Parts List Number :M4AHUP2#M4AHUP2

Model Number :M4CXC025BB1CAA

| Part No.   | Reference No. | Quantity | Description              |
|------------|---------------|----------|--------------------------|
| MAYORIACHP | *             | 1        | NO DESCRIPTION AVAILABLE |