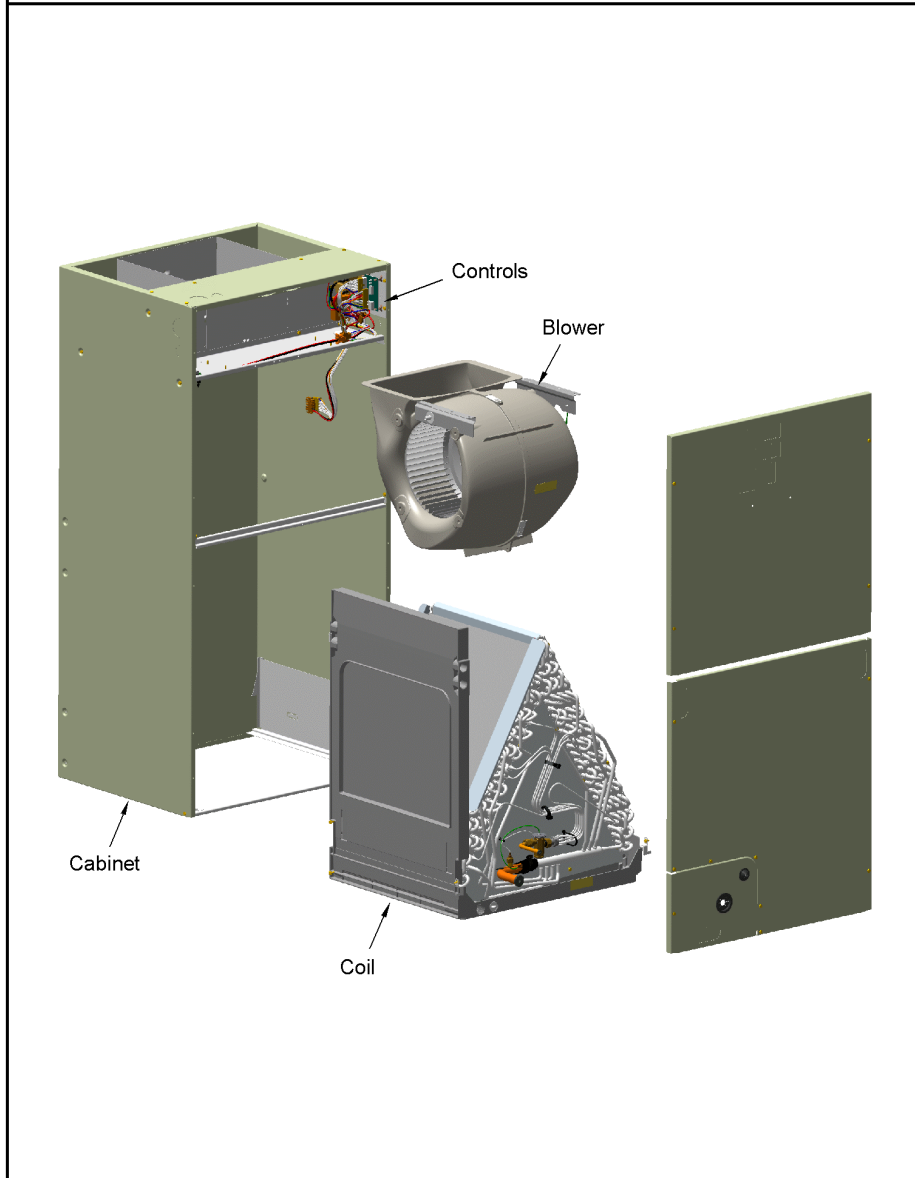


CONVERTIBLE AIR HANDLER

75010768

REV.
A

TYPICAL ILLUSTRATION



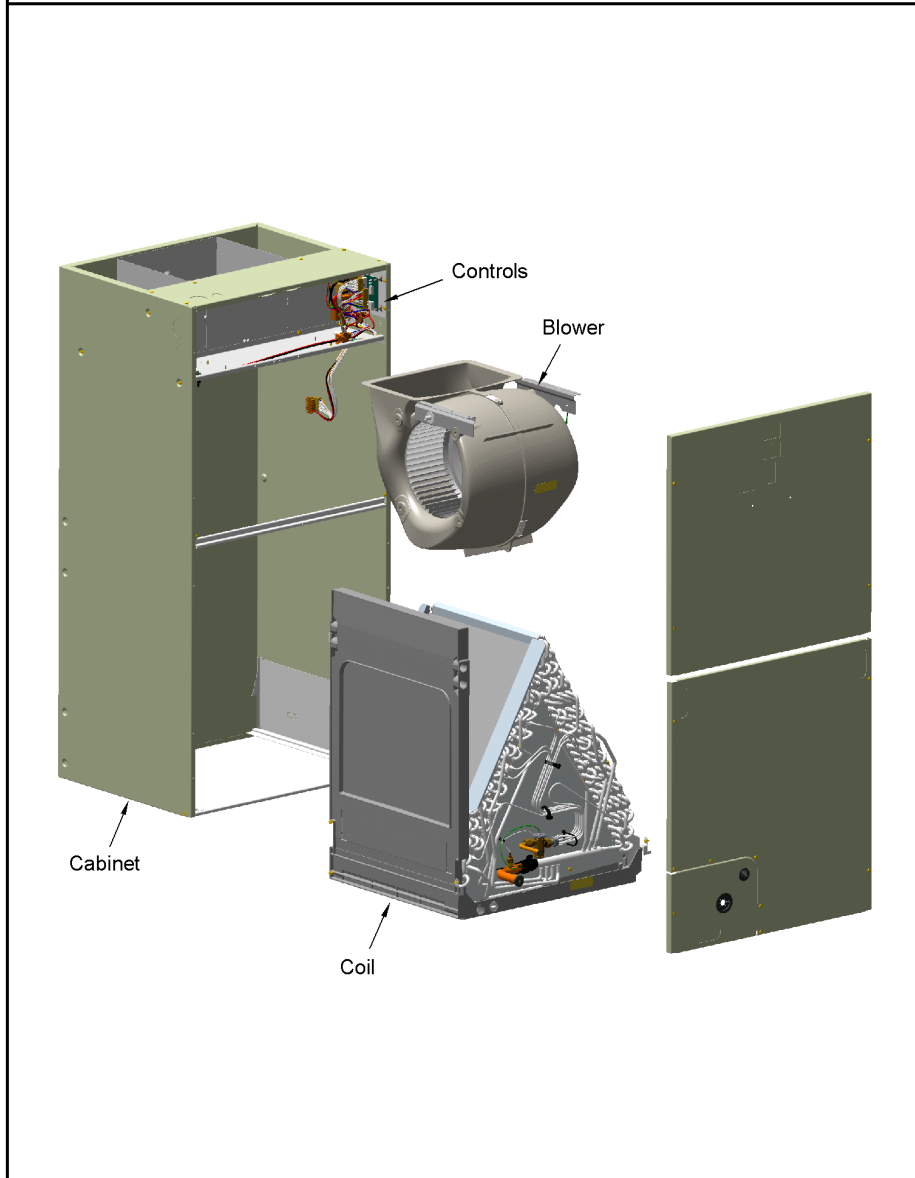
Part No.	Reference No.	Quantity	Description
75010770#M4AH6UP1~S	*		BLOWER
75010772#M4AH6UP1~S	*		CABINET
75010771#M4AH6UP1~S	*		COIL
75012651#M4AH6UP1~S	*		CONTROL PANEL
75010768_M4AH6UP1_294970~P	*		CONVERTIBLE AIR HANDLER PARTS LIST
75009814#M4AH6UP1~S	*		MODEL NUMBER DESCRIPTION
OPTIONS#M4AH6UP1~S	*		OPTIONAL EQUIPMENT

CONVERTIBLE AIR HANDLER

75010768

REV.
A

TYPICAL ILLUSTRATION

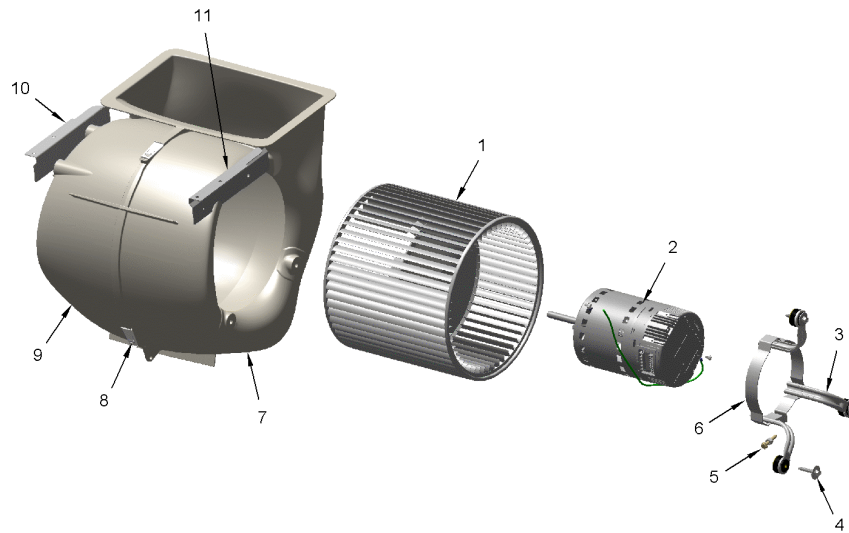


BLOWER

75010770

REV.
A

TYPICAL ILLUSTRATION



Parts List Number :75010768#M4AH6UP1

Model Number :M4AH6A0C42H41AA

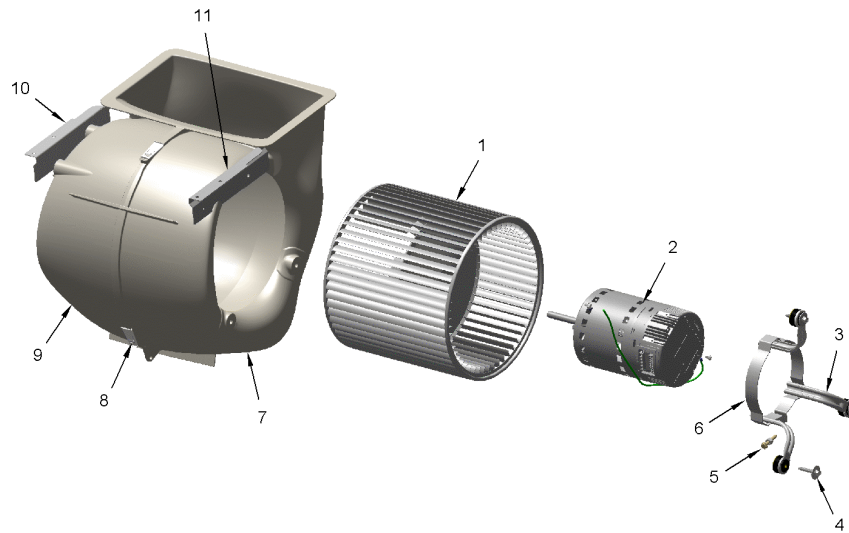
Part No.	Reference No.	Quantity	Description
75010770_M4AH6UP1_294971~P	*		BLOWER PARTS LIST

BLOWER

75010770

REV.
A

TYPICAL ILLUSTRATION



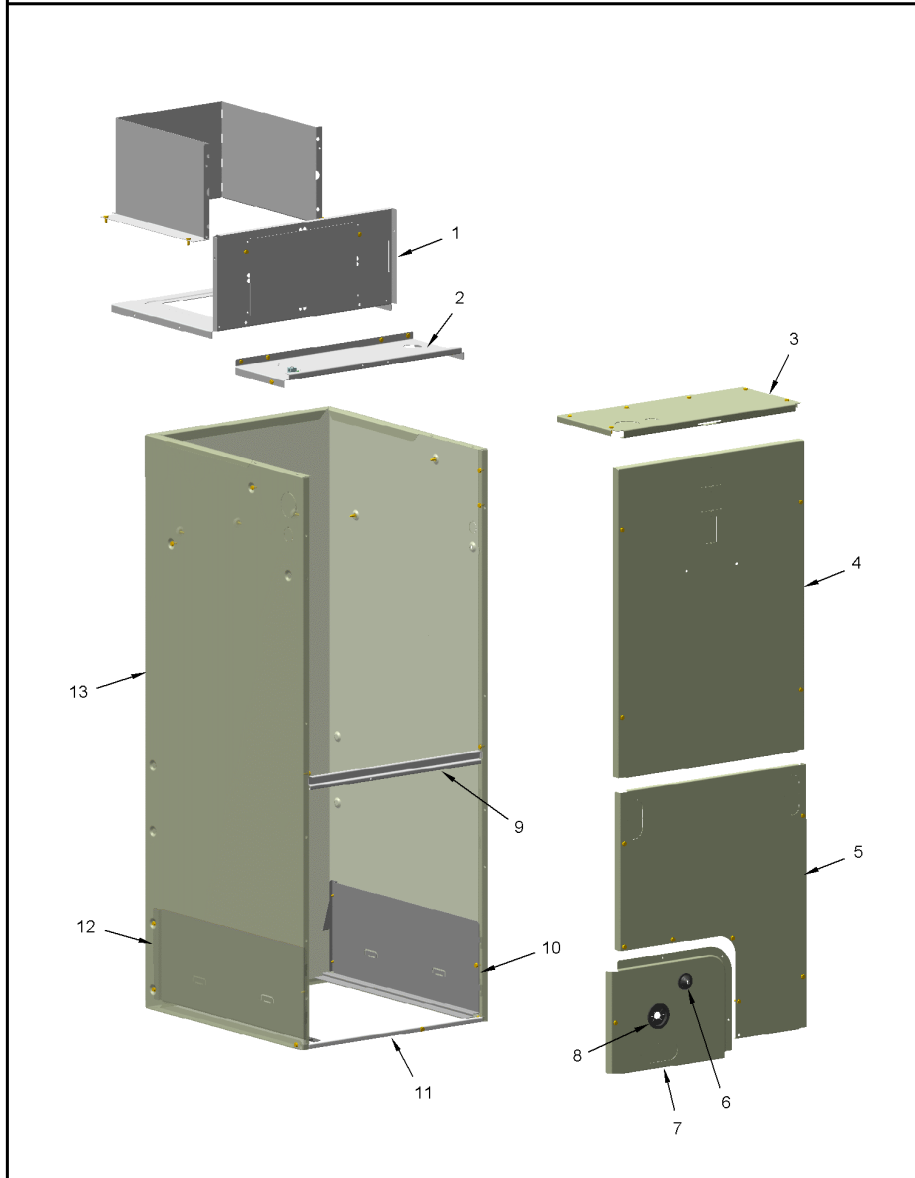
Part No.	Reference No.	Quantity	Description
SCR02081	*	1	SCREW; 10-24 C HXW 1/2 SN
WIR07840	*	1	WIRE; GROUND, 16 AWG, UL 1015, GREEN, 15 IN LENGTH, RING TERMINALS
WHL02915	1	1	WHEEL; BLOWER, 11.7 IN DIA X 10.6 IN WIDE, 0.50 IN BORE, CW ROTATION
MOD02655	2	1	MODULE; EON, ELECTRONIC MOTOR CONTROL, VARIABLE SPEED PROGRAMMED
MOT16926	2	1	MOTOR; ECM VS MOTOR MODULE SET; 1/2 HP; 115/230 VOLTAGE; PROGRAMMED
BRK04223	3	3	BRACKET; MOTOR ARM
SCR02112	4	4	SCREW; ASSEMBLY-MOTOR MOUNT
NUT01063	5	1	NUT; LOCKING NYLON
SCR01584	5	1	BOLT; 1/4-20 MA HX 1.5 S
BND00910	6	1	BAND; MOTOR MOUNT
BLW01333	7	1	BLOWER; MOLDED HALF, RIGHT
CLP01123	8	4	CLIP; CLEAT-BLOWER
BLW01332	9	1	BLOWER; MOLDED HALF, LEFT
BRK04545	10	1	BRACKET; BLOWER SUPPORT, 9.25 X 2.21 X 1.15
BRK04544	11	1	BRACKET; BLOWER SUPPORT, 9.25 X 2.21 X 1.15

CABINET

75010772

REV.
A

TYPICAL ILLUSTRATION



Parts List Number :75010768#M4AH6UP1

Model Number :M4AH6A0C42H41AA

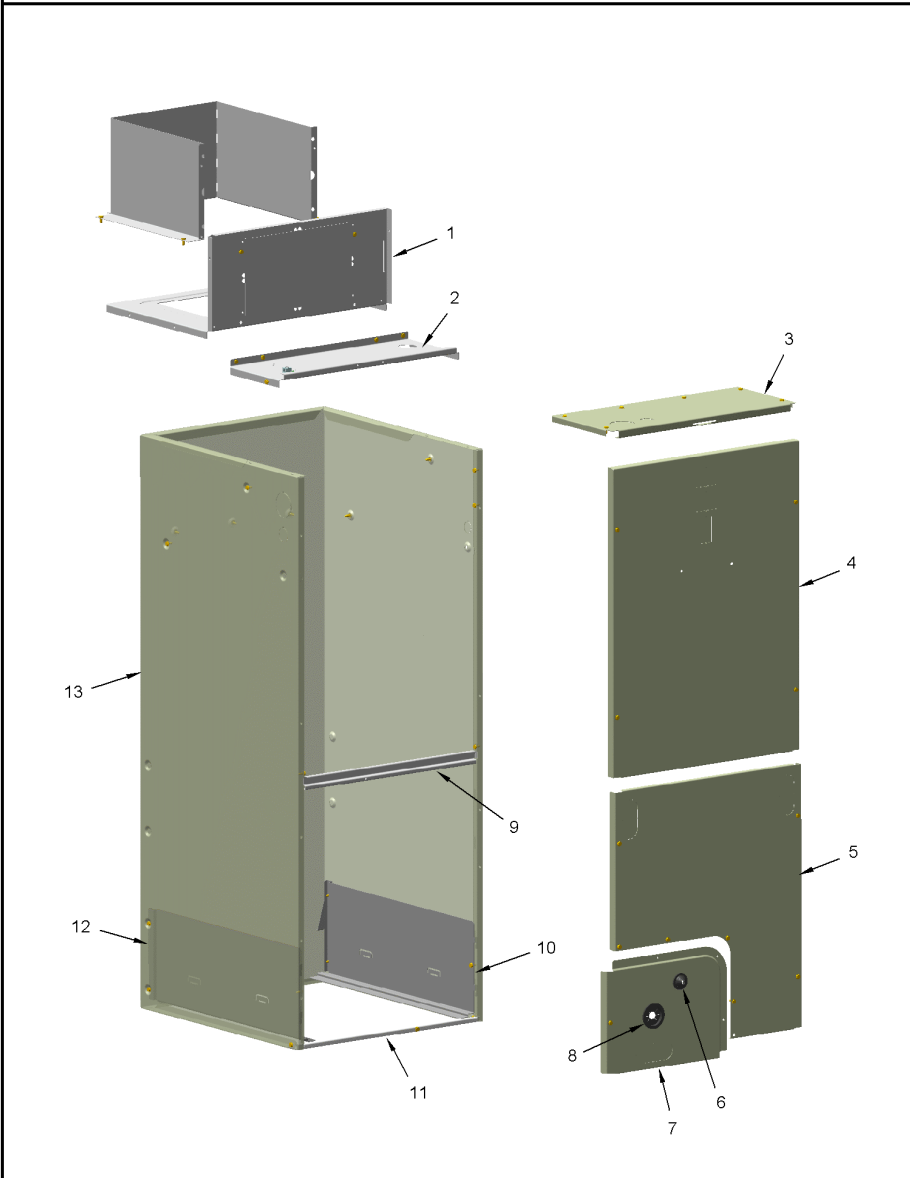
Part No.	Reference No.	Quantity	Description
75010772_M4AH6UP1_362589-P	*		CABINET PARTS LIST

CABINET

75010772

REV.
A

TYPICAL ILLUSTRATION



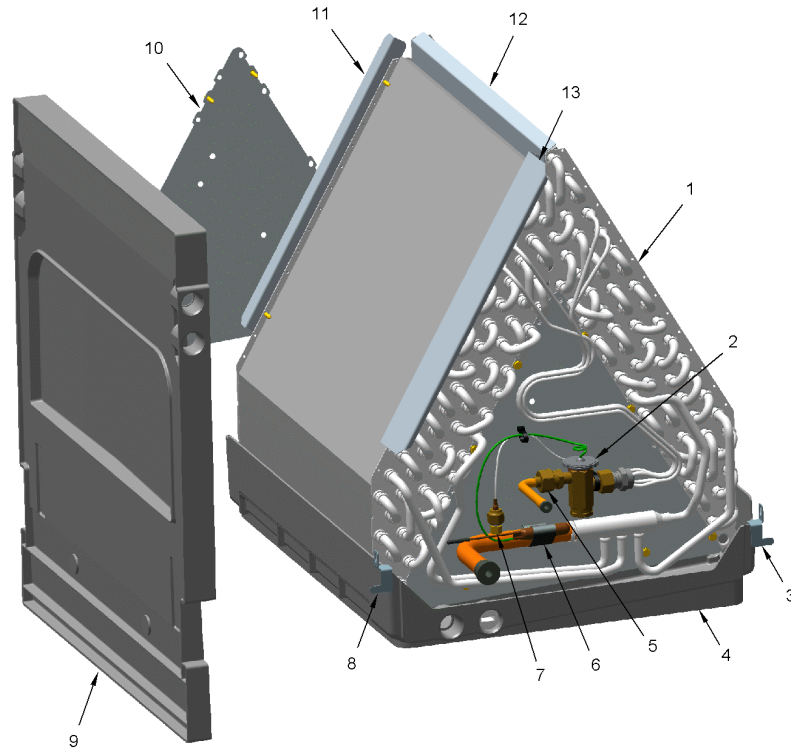
Part No.	Reference No.	Quantity	Description
PAI00074	*	1	PAINT; SPRAY, SLATE GREY, FULL GLOSS(88) (SHIPPING UOM 12 OZ HAZ)
SCR01081	*	1	SCREW; 10-16 AB 3/4 S N
PNL29551	3	1	PANEL; TOP COVER, 23.63 X 7.85
PNL29549	4	1	PANEL; BLOWER, 25.29 X 23.63
PNL29545	5	1	PANEL; COIL, 23.63 X 26.12
GRM00864	6	1	GROMMET; CONE GROMMET, LIQUID LINE
PNL29547	7	1	PANEL; LINESET, 12.14 X 9.24
GRM00863	8	1	GROMMET; SUCTION GROMMET
SUP05666	9	1	SUPPORT; CROSSMEMBER, MIDDLE, 22.39 L
SUP05662	10	1	SUPPORT; COIL SHIELD, RIGHT, 20.04 X 7.72
SUP05664	11	1	SUPPORT; CROSSMEMBER, BOTTOM, 23.37 L
SUP05661	12	1	SUPPORT; COIL SHIELD, LEFT, 20.04 X 7.72
CBT01787	13	1	CABINET; WRAPPER

COIL

75010771

REV.
A

TYPICAL ILLUSTRATION



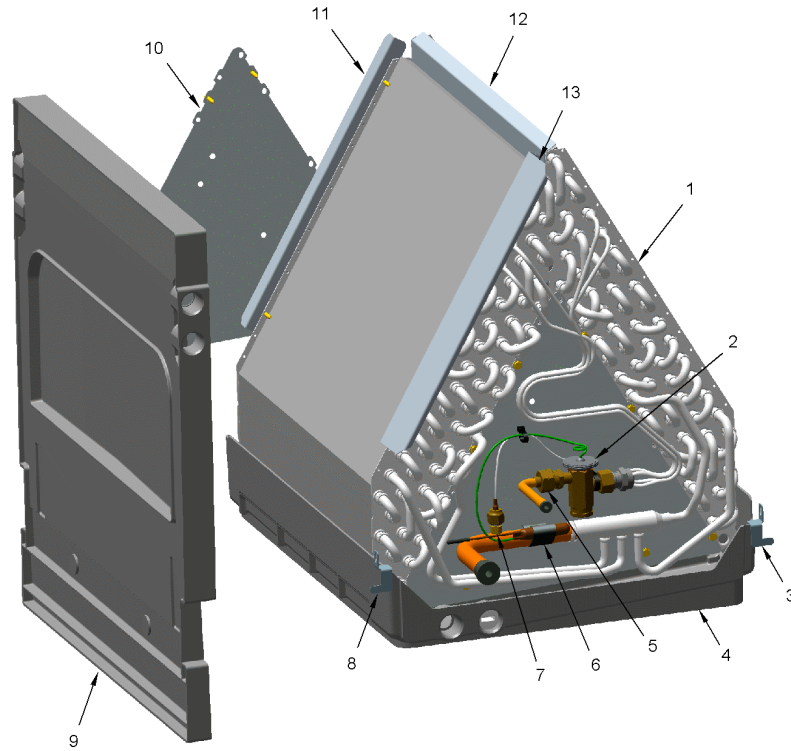
Part No.	Reference No.	Quantity	Description
75010771_M4AH6UP1_362588-P	*		COIL PARTS LIST

COIL

75010771

REV.
A

TYPICAL ILLUSTRATION

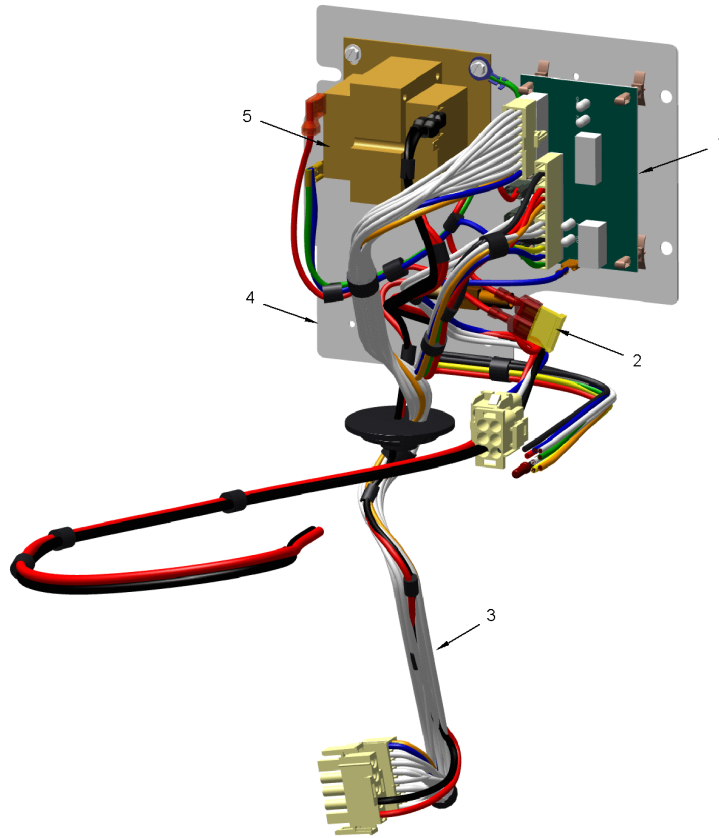


Part No.	Reference No.	Quantity	Description
PLU01169	*	3	PLUG; THREADED 3/4
COL25335	1	1	COIL; ASSEMBLY, INCLUDES DRAINPAN BUT NOT TXV
VAL11799	2	1	VALVE; TEV HXCE 3 KX200 B15 R410A
BRK04501	3	1	BRACKET; COIL, 1.73 X 1.00 X 0.46, RIGHT SIDE
PAN03385	4	1	PAN; DRAIN, UPFLOW, 21.50 X 20.07
NUT01223	5	1	NUT; HEX NUT, 7/8, 3/4-20-2B UNEF THREAD
TUB13534	5	1	TUBE; ASSEMBLY, LIQUID, INCLUDES A 100 MESH PUSH-IN STYLE INLET STRAINER
BOD00114	7	1	BODY; VALVE, BRASS, 7/16 HEX, 7/16 -20 UNF-2A
BRK04500	8	1	BRACKET; COIL, 1.73 X 1.00 X 0.46, LEFT SIDE
PAN03387	9	1	PAN; DRAIN, HORIZONTAL, 26.92 X 20.38
BAF01434	10	2	BAFFLE; COIL BAFFLE
DIV00334	11	1	DIVERTER; COIL, REAR, 1.04 X 0.77 X 18.75
DIV00332	12	1	DIVERTER; COIL, 16.38 X 1.20 X 0.57
DIV00330	13	1	DIVERTER, COIL

CONTROLS

75012651

RP
A



This is a typical illustration. The unit in the field may not appear exactly as shown.

Parts List Number :75010768#M4AH6UP1

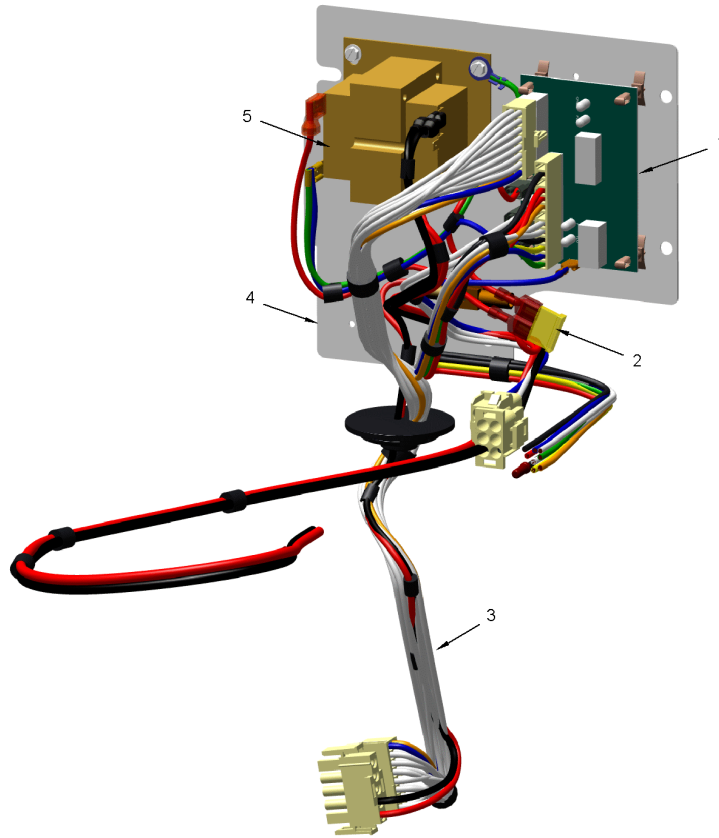
Model Number :M4AH6A0C42H41AA

Part No.	Reference No.	Quantity	Description
75012651_M4AH6UP1_186375-P	*		CONTROL PANEL PARTS LIST

CONTROLS

75012651

RP
A



This is a typical illustration. The unit in the field may not appear exactly as shown.

CONTROL PANEL PARTS LIST

Parts List Number :75010768#M4AH6UP1

Model Number :M4AH6A0C42H41AA

Part No.	Reference No.	Quantity	Description
CNT03600	1	1	CONTROL; ICM FAN, PWB, 16 PIN
FUS01089	2	1	FUSE; 5 AMP, TAN, AUTOMOTIVE STYLE
WIR07781	3	1	WIRE; HARNESS ASM VS
PLT05625	4	1	PLATE; CONTROL, 7.38 X 6.69
TRR01557	5	1	TRANSFORMER; 40VA, 200/230V PRI, 24V SEC

MODEL NOMENCLATURE

75009814

REV
A

Air Handler Units

Model Number Example

M 4 A H 3 0 1 8 A 1 0 0 0 A A
1 2 3 4 5 6 7 8 9 10 11 12 13 14 15

Digit 1 = Brand Name
M = Ameristar

Digit 2 = Refrigerant
4 = R410A

Digit 3-4 = Unit Type
AH = Air Handler

Digit 5 = Efficiency Tier
3 - 13 SEER
4 - 14 SEER

Digit 6,7,8 = Tonnage
018 = 1.5 ton
024 = 2.0 ton
025 = 2.08 ton
030 = 2.5 ton
032 = 2.66 ton
036 = 3.0 ton
042 = 3.5 ton
044 = 3.66 ton
048 = 4.0 ton
060 = 5.0 ton

Digit 9 = Major Development Sequence
Alphabet Letter; "A" through "Z"

Digit 10 = Electric Power Supply Characteristics
1 = 200-230V/1PH/60Hz or 208-230V/1PH/60Hz

Digit 11,12,13 = Secondary Function
000 = No Secondary Function

Digit 14,15 = Minor Design Sequence - Design Change
Alphabet Letter; "A" through "Z"

Parts List Number :75010768#M4AH6UP1

Model Number :M4AH6A0C42H41AA

Part No.	Reference No.	Quantity	Description
75009814_M4AH6UP1_186369-P	*		MODEL NUMBER DESCRIPTION PARTS LIST

MODEL NOMENCLATURE

75009814

REV
A

Air Handler Units

Model Number Example

M 4 A H 3 0 1 8 A 1 0 0 0 A A
1 2 3 4 5 6 7 8 9 10 11 12 13 14 15

Digit 1 = Brand Name
M = Ameristar

Digit 2 = Refrigerant
4 = R410A

Digit 3-4 = Unit Type
AH = Air Handler

Digit 5 = Efficiency Tier
3 - 13 SEER
4 - 14 SEER

Digit 6,7,8 = Tonnage
018 = 1.5 ton
024 = 2.0 ton
025 = 2.08 ton
030 = 2.5 ton
032 = 2.66 ton
036 = 3.0 ton
042 = 3.5 ton
044 = 3.66 ton
048 = 4.0 ton
060 = 5.0 ton

Digit 9 = Major Development Sequence
Alphabet Letter; "A" through "Z"

Digit 10 = Electric Power Supply Characteristics
1 = 200-230V/1PH/60Hz or 208-230V/1PH/60Hz

Digit 11,12,13 = Secondary Function
000 = No Secondary Function

Digit 14,15 = Minor Design Sequence - Design Change
Alphabet Letter; "A" through "Z"

OPTIONAL EQUIPMENT

Parts List Number :75010768#M4AH6UP1

Model Number :M4AH6A0C42H41AA

Part No.	Reference No.	Quantity	Description
OPTIONS_M4AH6UP1_362590-P	*		OPTIONAL EQUIPMENT PARTS LIST

NO GRAPHIC AVAILABLE

75013702

REV
A

**NO
GRAPHIC
AVAILABLE**

Part No.	Reference No.	Quantity	Description
BAYHTR1504LUGB	*	1	4KW HEATER LUGS
BAYHTR1505BRKC	*	1	HEATER; 5KW HEATER W/BREAKER (BAYHTR1505BRKC)
BAYHTR1505LUGB	*	1	5KW HEATER LUGS
BAYHTR1508BRKC	*	1	HEATER; 8KW HEATER W/BREAKER
BAYHTR1508LUGB	*	1	8KW HEATER LUGS
BAYHTR1510BRKC	*	1	HEATER; 10KW HEATER W/BREAKER (BAYHTR1510BRKC)
BAYHTR1510LUGB	*	1	10KW HEATER LUGS
BAYHTR1516BRKA	*	1	15KW HEATER W/BREAKER
BAYHTR1522BRKA	*	1	HEATER; 20KW HEATER W/BREAKER
BAYHTR1523BRKA	*	1	HEATER 20KW-1PH
BAYHTR3510LUGB	*	1	HEATER; 10KW HEATER 3PH
BAYHTR3515LUGB	*	1	15KW HEATER 3PH
BAYSF1185AAA	*	1	1" FILTER & FRAME, 18.5"
BAYSF1235AAA	*	1	FRAME; FILTER, 1 INCH FILTER & FRAME, 23.5 INCHES
BAYSF1265AAA	*	1	1" FILTER & FRAME, 26.5"
BAYSPEKT201A	*	1	KIT; SINGLE POINT POWER ENTRY (BAYSPEKT201A)
BAYTEMSPFG1A	*	1	DUCT FLANGE KIT
BAYTEMSPFG1B	*	1	KIT-DUCT FLANGE
TAYBASE235	*	1	DOWNFLOW SUB-BASE KIT