

Part No.	Reference No.	Quantity	Description
75009834#M4AHUP2-S	*		ELECTRIC HEATER KITS
75010178#M4AHUP2-S	*		GENERAL ASSEMBLY AIR HANDLER 13 SEER
M4AHUP2_M4AHUP2_142240-P	*		M4AHUP2 PARTS LIST
75009814#M4AHUP2-S	*		MODEL NOMENCLATURE AIR HANDLERS
75010192#M4AHUP2-S	*		ORIFICE KITS CHART
75010193#M4AHUP2-S	*		TXV KITS CHART

NO GRAPHIC AVAILABLE

75013702

REV
A

**NO
GRAPHIC
AVAILABLE**

MODEL NOMENCLATURE

75009814

REV
A

Air Handler Units

Model Number Example

M 4 A H 3 0 1 8 A 1 0 0 0 A A
1 2 3 4 5 6 7 8 9 10 11 12 13 14 15

Digit 1 = Brand Name
M = Ameristar

Digit 2 = Refrigerant
4 = R410A

Digit 3-4 = Unit Type
AH = Air Handler

Digit 5 = Efficiency Tier
3 - 13 SEER
4 - 14 SEER

Digit 6,7,8 = Tonnage
018 = 1.5 ton
024 = 2.0 ton
025 = 2.08 ton
030 = 2.5 ton
032 = 2.66 ton
036 = 3.0 ton
042 = 3.5 ton
044 = 3.66 ton
048 = 4.0 ton
060 = 5.0 ton

Digit 9 = Major Development Sequence
Alphabet Letter; "A" through "Z"

Digit 10 = Electric Power Supply Characteristics
1 = 200-230V/1PH/60Hz or 208-230V/1PH/60Hz

Digit 11,12,13 = Secondary Function
000 = No Secondary Function

Digit 14,15 = Minor Design Sequence - Design Change
Alphabet Letter; "A" through "Z"

Parts List Number :M4AHUP2#M4AHUP2

Model Number :M4AH3042B1000AA

Part No.	Reference No.	Quantity	Description
75009814_M4AHUP2_177443~P	*		MODEL NOMENCLATURE AIR HANDLERS PARTS LIST

MODEL NOMENCLATURE

75009814

REV
A

Air Handler Units

Model Number Example

M 4 A H 3 0 1 8 A 1 0 0 0 A A
1 2 3 4 5 6 7 8 9 10 11 12 13 14 15

Digit 1 = Brand Name
M = Ameristar

Digit 2 = Refrigerant
4 = R410A

Digit 3-4 = Unit Type
AH = Air Handler

Digit 5 = Efficiency Tier
3 - 13 SEER
4 - 14 SEER

Digit 6,7,8 = Tonnage
018 = 1.5 ton
024 = 2.0 ton
025 = 2.08 ton
030 = 2.5 ton
032 = 2.66 ton
036 = 3.0 ton
042 = 3.5 ton
044 = 3.66 ton
048 = 4.0 ton
060 = 5.0 ton

Digit 9 = Major Development Sequence
Alphabet Letter; "A" through "Z"

Digit 10 = Electric Power Supply Characteristics
1 = 200-230V/1PH/60Hz or 208-230V/1PH/60Hz

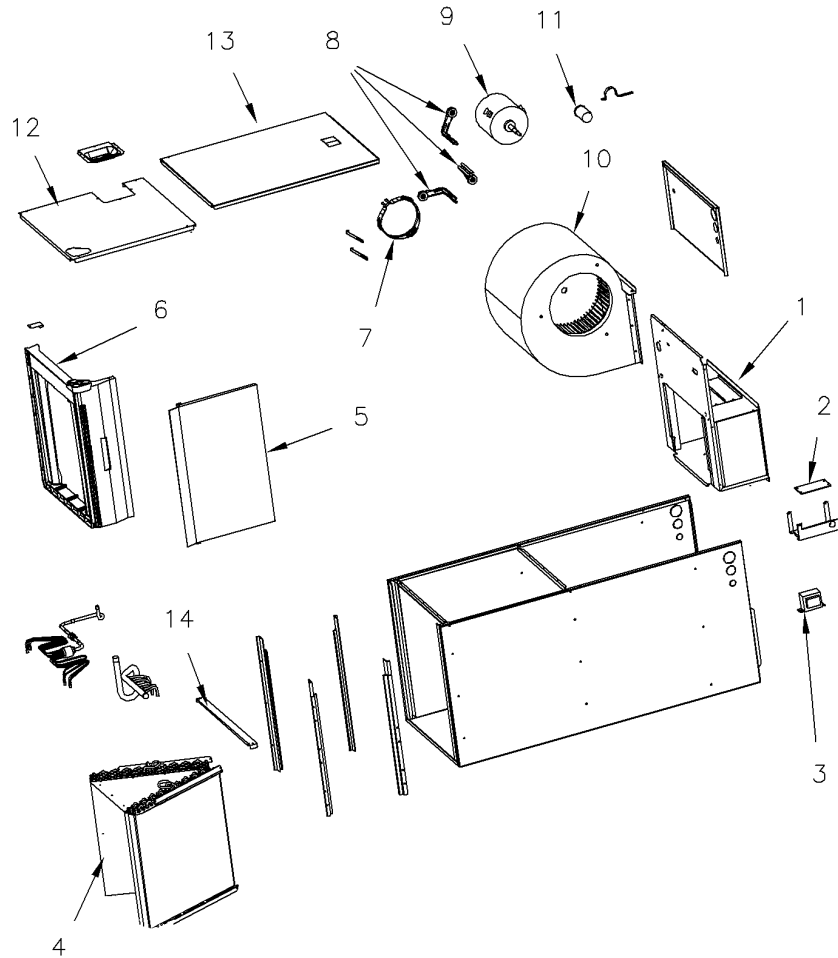
Digit 11,12,13 = Secondary Function
000 = No Secondary Function

Digit 14,15 = Minor Design Sequence - Design Change
Alphabet Letter; "A" through "Z"

GENERAL ASSEMBLY
Ameristar Gen 2
Air Handler Dwg 1 13 SEER

75010178

REV
B



* NOT ILLUSTRATED
TYPICAL ILLUSTRATION

Parts List Number :M4AHUP2#M4AHUP2

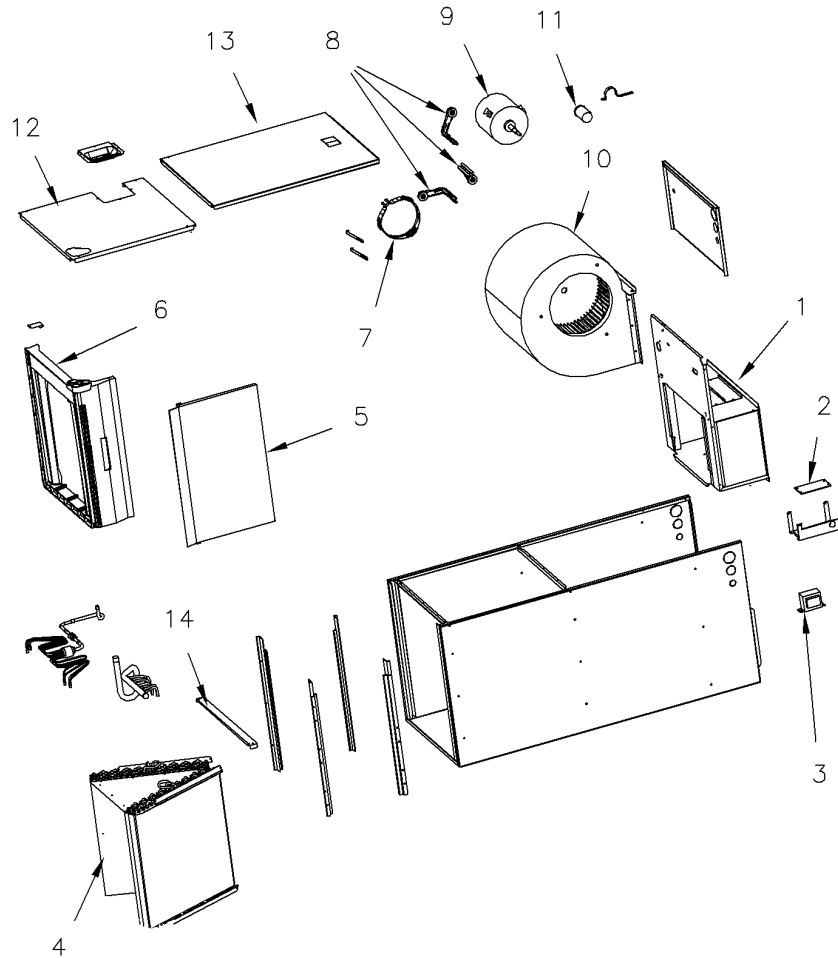
Model Number :M4AH3042B1000AA

Part No.	Reference No.	Quantity	Description
75010178_M4AHUP2_189836~P	*		GENERAL ASSEMBLY AIR HANDLER 13 SEER PARTS LIST

GENERAL ASSEMBLY
Ameristar Gen 2
Air Handler Dwg 1 13 SEER

75010178

REV
B



* NOT ILLUSTRATED
TYPICAL ILLUSTRATION

Parts List Number :M4AHUP2#M4AHUP2

Model Number :M4AH3042B1000AA

Part No.	Reference No.	Quantity	Description
FUS02339	*	1	FUSE; 3.15A - 250V, T 3.15 AL 250V, 5MM BY 20MM, GLASS CARTRIDGE
DUC01442	1	1	DUCT; AIR DUCT ASSEMBLY
BRD04300	2	1	BOARD; PCB, MAIN CONTROL ASSEMBLY
TRR02445	3	1	TRANSFORMER; 24V AC
COL20286	4	1	COIL; EVAPORATOR ASSEMBLY
PAN03285	5	1	PAN; DRAIN, HORIZONTAL
PAN03286	6	1	PAN; DRAIN, UPFLOW
BND00909	7	1	BAND; MOTOR BELLY
BRK04184	8	3	BRACKET; MOTOR ARM
MOT14559	9	1	MOTOR; BLOWER FAN; 1/2HP, 230V, 50/60HZ, 1PH; 145MM H 244 MM; CAPACITOR 10; 1075 RPM'S
IMP04985	10	1	IMPELLER; FAN BLOWER WHEEL
CPT02064	11	1	CAPACITOR; MOTOR; 10UF, 450VAC 50/60HZ
PNL31672	13	1	PANEL; SIDE BOARD

HEATER KITS

75009834

REV
A

PUT COMPLETE HEATER KIT NUMBER INTO
CATS TO FIND REPLACEMENT PARTS LISTED

ELECTRIC HEATER KITS

Parts List Number :M4AHUP2#M4AHUP2

Model Number :M4AH3042B1000AA

Part No.	Reference No.	Quantity	Description
75009834_M4AHUP2_177444~P	*		ELECTRIC HEATER KITS PARTS LIST

HEATER KITS

75009834

REV
A

PUT COMPLETE HEATER KIT NUMBER INTO
CATS TO FIND REPLACEMENT PARTS LISTED

Part No.	Reference No.	Quantity	Description
MAYHTR1A05BKRA	*	1	ACCY; MAYHTR; 5 KW HEATER
MAYHTR1A08BKRA	*	1	ACCY; MAYHTR; 8 KW HEATER
MAYHTR1A10BKRA	*	1	ACCY; MAYHTR; 10 KW HEATER
MAYHTR1A15BKRA	*	1	ACCY; MAYHTR; 15 KW HEATER
MAYHTR1A20BKRA	*	1	ACCY; MAYHTR; 20 KW HEATER

Condensing Unit	Air Handle / A-Coil	Piston Size	Optional TXV	SEER	If Preinstalled Piston Replace Required	
AC	M4AC3018B1000AA	M4CXC024BA1CAAA	C050	MAYTXVACAC1818AA	13	YES
		M4CXC025BB1CAAA	C050	MAYTXVACAC1818AA	13	YES
		M4AH3018B1000AA	C050	MAYTXVACAC1818AA	13	YES
	M4AC3024B1000AA	M4CXC024BA1CAAA	C056	MAYTXVACHP1830AA	13	NO
		M4CXC025BB1CAAA	C056	MAYTXVACHP1830AA	13	NO
	M4AC3024B1000AA	M4AH3024B1000AA	C056	MAYTXVACHP1830AA	13	NO
		M4CXC024BA1CAAA	C060	MAYTXVACHP1830AA	13	YES
	M4AC3030B1000AA	M4CXC025BB1CAAA	C060	MAYTXVACHP1830AA	13	YES
		M4AH3030B1000AA	C063	MAYTXVACHP1830AA	13	YES
	M4AC3036B1000AA	M4CXC035BA1CAAA	C069	MAYTXVACHP3642AA	13	NO
		M4CXC035BB1CAAA	C067	MAYTXVACHP3642AA	13	NO
		M4CXC035BC1CAAA	C067	MAYTXVACHP3642AA	13	NO
	M4AC3036B1000AA	M4AH3036B1000AA	C071	MAYTXVACHP3642AA	13	YES
		M4CXC042BB1CAAA	C074	MAYTXVACHP3642AA	13	NO
		M4CXC048BC1CAAA	C074	MAYTXVACHP3642AA	13	YES
	M4AC3042B1000AA	M4CXC060BD1CAAA	C074	MAYTXVACHP3642AA	13	YES
		M4AH3042B1000AA	C072	MAYTXVACHP3642AA	13	YES
		M4CXC042BB1CAAA	C078	MAYTXVACHP4848AA	13	YES
	M4AC3048B1000AA	M4CXC048BC1CAAA	C078	MAYTXVACHP4848AA	13	NO
		M4CXC060BD1CAAA	C078	MAYTXVACHP4848AA	13	NO
		M4AH3048B1000AA	C078	MAYTXVACHP4848AA	13	YES
	M4AC3060B1000AA	M4CXC049BC1CAAA	C088	MAYTXVACHP6060AA	13	NO
		M4CXC061BD1CAAA	C088	MAYTXVACHP6060AA	13	NO
	M4AC3060B1000AA	M4AH3060B1000AA	C090	MAYTXVACHP6060AA	13	YES
HP	M4HP3018A1000AA	M4AH3018B1000AA	C051	MAYTXVACHP1830AA	13	NO
	M4HP3024A1000AA	M4AH3024B1000AA	C056	MAYTXVACHP1830AA	13	NO
	M4HP3030A1000AA	M4AH3030B1000AA	C061	MAYTXVACHP1830AA	13	NO
	M4HP3036A1000AA	M4AH3036B1000AA	C066	MAYTXVACHP3642AA	13	NO
	M4HP3042A1000AA	M4AH3042B1000AA	C075	MAYTXVACHP3642AA	13	NO
	M4HP3048A1000AA	M4AH3048B1000AA	C083	MAYTXVACHP4848AA	13	NO
M4HP3060A1000AA	M4AH3060B1000AA	C096	MAYTXVACHP6060AA	13	NO	

*The optional TXV means the recommended model for field installation.

Parts List Number :M4AHUP2#M4AHUP2

Model Number :M4AH3042B1000AA

Part No.	Reference No.	Quantity	Description
75010193_M4AHUP2_142245~P	*		TXV KITS CHART PARTS LIST

Condensing Unit	Air Handle / A-Coil	Piston Size	Optional TXV	SEER	If Preinstalled Piston Replace Required	
AC	M4AC3018B1000AA	M4CXC024BA1CAAA	C050	MAYTXVACAC1818AA	13	YES
		M4CXC025BB1CAAA	C050	MAYTXVACAC1818AA	13	YES
		M4AH3018B1000AA	C050	MAYTXVACAC1818AA	13	YES
	M4AC3024B1000AA	M4CXC024BA1CAAA	C056	MAYTXVACHP1830AA	13	NO
		M4CXC025BB1CAAA	C056	MAYTXVACHP1830AA	13	NO
	M4AC3024B1000AA	M4AH3024B1000AA	C056	MAYTXVACHP1830AA	13	NO
		M4CXC024BA1CAAA	C060	MAYTXVACHP1830AA	13	YES
	M4AC3030B1000AA	M4CXC025BB1CAAA	C060	MAYTXVACHP1830AA	13	YES
		M4AH3030B1000AA	C063	MAYTXVACHP1830AA	13	YES
	M4AC3036B1000AA	M4CXC035BA1CAAA	C069	MAYTXVACHP3642AA	13	NO
		M4CXC035BB1CAAA	C067	MAYTXVACHP3642AA	13	NO
		M4CXC035BC1CAAA	C067	MAYTXVACHP3642AA	13	NO
	M4AC3042B1000AA	M4AH3036B1000AA	C071	MAYTXVACHP3642AA	13	YES
		M4CXC042BB1CAAA	C074	MAYTXVACHP3642AA	13	NO
		M4CXC048BC1CAAA	C074	MAYTXVACHP3642AA	13	YES
	M4AC3042B1000AA	M4CXC060BD1CAAA	C074	MAYTXVACHP3642AA	13	YES
		M4AH3042B1000AA	C072	MAYTXVACHP3642AA	13	YES
		M4CXC042BB1CAAA	C078	MAYTXVACHP4848AA	13	YES
		M4CXC048BC1CAAA	C078	MAYTXVACHP4848AA	13	NO
	M4AC3048B1000AA	M4CXC060BD1CAAA	C078	MAYTXVACHP4848AA	13	NO
		M4AH3048B1000AA	C078	MAYTXVACHP4848AA	13	YES
		M4CXC049BC1CAAA	C088	MAYTXVACHP6060AA	13	NO
	M4AC3060B1000AA	M4CXC061BD1CAAA	C088	MAYTXVACHP6060AA	13	NO
		M4AH3060B1000AA	C090	MAYTXVACHP6060AA	13	YES
HP	M4HP3018A1000AA	M4AH3018B1000AA	C051	MAYTXVACHP1830AA	13	NO
	M4HP3024A1000AA	M4AH3024B1000AA	C056	MAYTXVACHP1830AA	13	NO
	M4HP3030A1000AA	M4AH3030B1000AA	C061	MAYTXVACHP1830AA	13	NO
	M4HP3036A1000AA	M4AH3036B1000AA	C066	MAYTXVACHP3642AA	13	NO
	M4HP3042A1000AA	M4AH3042B1000AA	C075	MAYTXVACHP3642AA	13	NO
	M4HP3048A1000AA	M4AH3048B1000AA	C083	MAYTXVACHP4848AA	13	NO
	M4HP3060A1000AA	M4AH3060B1000AA	C096	MAYTXVACHP6060AA	13	NO

*The optional TXV means the recommended model for field installation.

Parts List Number :M4AHUP2#M4AHUP2

Model Number :M4AH3042B1000AA

Part No.	Reference No.	Quantity	Description
MAYTXVAC	*	1	NO DESCRIPTION AVAILABLE

Parts List Number :M4AHUP2#M4AHUP2

Model Number :M4AH3042B1000AA

Part No.	Reference No.	Quantity	Description
75010192_M4AHUP2_142243~P	*		ORIFICE KITS CHART PARTS LIST

Parts List Number :M4AHUP2#M4AHUP2

Model Number :M4AH3042B1000AA

Part No.	Reference No.	Quantity	Description
MAYORIACHP	*	1	NO DESCRIPTION AVAILABLE