

<b>Part No.</b>	<b>Reference No.</b>	<b>Quantity</b>	<b>Description</b>
75012386#M4ACUP4~S	*		GENERAL ASSEMBLY
M4ACUP4_M4ACUP4_262737~P	*		M4ACUP4 PARTS LIST
75009812#M4ACUP4~S	*		MODEL NOMENCLATURE

NO GRAPHIC AVAILABLE

75013702

REV  
A

**NO  
GRAPHIC  
AVAILABLE**

MODEL NOMENCLATURE

75009812

REV  
A

Air Conditioner Units

Model Number Example

**M 4 A C 3 0 1 8 A 1 0 0 0 A A**  
**1 2 3 4 5 6 7 8 9 10 11 12 13 14 15**

Digit 1 = Brand Name  
M = Ameristar

Digit 2 = Refrigerant  
2 = R22  
4 = R410A

Digit 3-4 = Unit Type  
AC = Air Conditioner

Digit 5 = Efficiency Tier  
3 - 13 SEER  
4 - 14 SEER

Digit 6,7,8 = Tonnage  
018 = 1.5 ton  
024 = 2.0 ton  
030 = 2.5 ton  
036 = 3.0 ton  
042 = 3.5 ton  
048 = 4.0 ton  
060 = 5.0 ton

Digit 9 = Major Development Sequence  
Alphabet Letter; "A" through "Z"

Digit 10 = Electric Power Supply Characteristics  
1 = 200-230V/1PH/60Hz or 208-230V/1PH/60Hz

Digit 11,12,13 = Secondary Function  
000 = No Secondary Function

Digit 14,15 = Minor Design Sequence - Design Change  
Alphabet Letter; "A" through "Z"

MODEL NOMENCLATURE

Parts List Number :M4ACUP4#M4ACUP4

Model Number :M4AC4048D1000AA

Part No.	Reference No.	Quantity	Description
75009812_M4ACUP4_262738~P	*		MODEL NOMENCLATURE PARTS LIST

MODEL NOMENCLATURE

75009812

REV  
A

Air Conditioner Units

Model Number Example

**M 4 A C 3 0 1 8 A 1 0 0 0 A A**  
**1 2 3 4 5 6 7 8 9 10 11 12 13 14 15**

Digit 1 = Brand Name  
M = Ameristar

Digit 2 = Refrigerant  
2 = R22  
4 = R410A

Digit 3-4 = Unit Type  
AC = Air Conditioner

Digit 5 = Efficiency Tier  
3 - 13 SEER  
4 - 14 SEER

Digit 6,7,8 = Tonnage  
018 = 1.5 ton  
024 = 2.0 ton  
030 = 2.5 ton  
036 = 3.0 ton  
042 = 3.5 ton  
048 = 4.0 ton  
060 = 5.0 ton

Digit 9 = Major Development Sequence  
Alphabet Letter; "A" through "Z"

Digit 10 = Electric Power Supply Characteristics  
1 = 200-230V/1PH/60Hz or 208-230V/1PH/60Hz

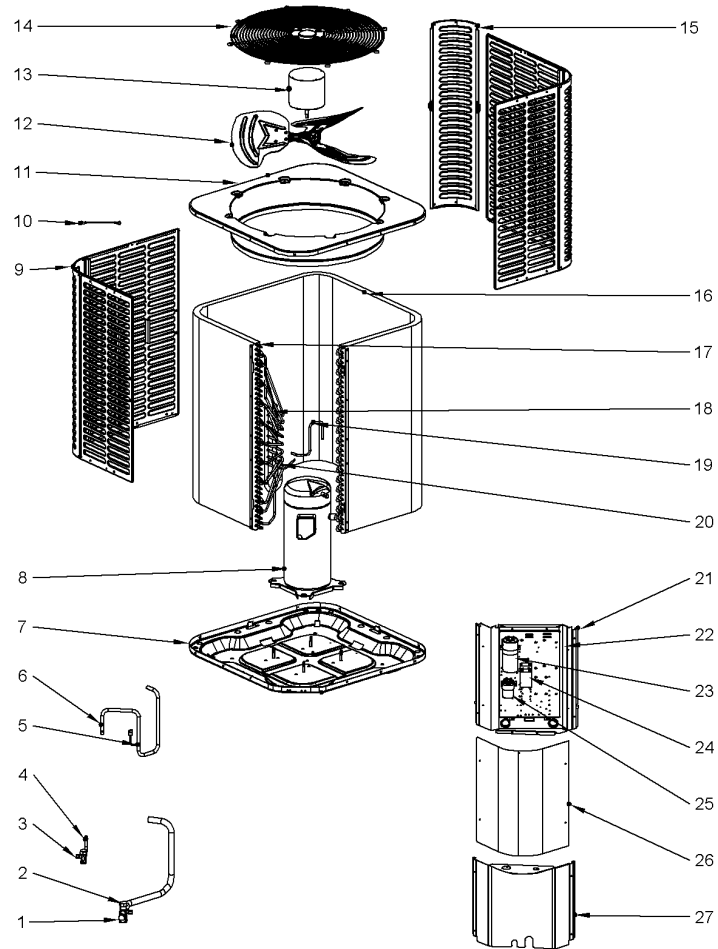
Digit 11,12,13 = Secondary Function  
000 = No Secondary Function

Digit 14,15 = Minor Design Sequence - Design Change  
Alphabet Letter; "A" through "Z"

GENERAL ASSEMBLY  
1.5, 2.0, 2.5, 3.0, 3.5 & 4.0 TON

75012386

REV.  
A



All orderable Service Parts are identified for this product.

Parts that are not identified, will not be available to order.

This is a typical illustration. The unit in the field may not appear exactly as shown.

Parts List Number :M4ACUP4#M4ACUP4

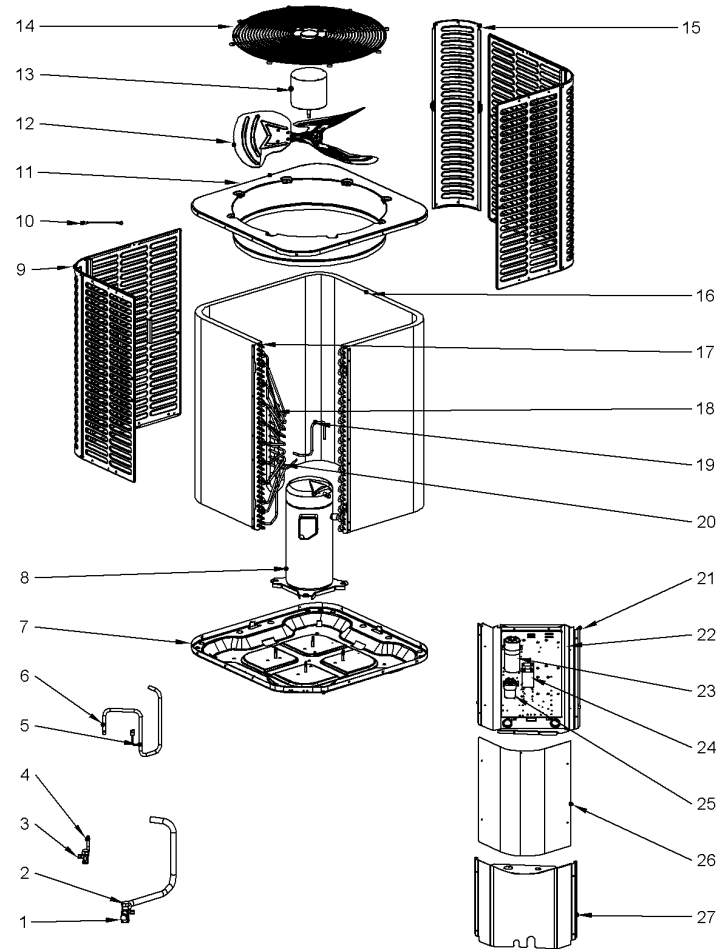
Model Number :M4AC4048D1000AA

Part No.	Reference No.	Quantity	Description
75012386_M4ACUP4_308079~P	*		GENERAL ASSEMBLY PARTS LIST

GENERAL ASSEMBLY  
1.5, 2.0, 2.5, 3.0, 3.5 & 4.0 TON

75012386

REV.  
A



All orderable Service Parts are identified for this product.

Parts that are not identified, will not be available to order.

This is a typical illustration. The unit in the field may not appear exactly as shown.

Part No.	Reference No.	Quantity	Description
VAL12456	1	1	VALVE; SUCTION SERVICE VALVE, LIQUID VALVE
VAL18465	2	1	VALVE; SUCTION SERVICE VALVE ASSEMBLY
VAL12511	3	1	VALVE; LIQUID SERVICE VALVE
VAL12457	4	1	TUBE; LIQUID ASSEMBLY
SWT04049	5	1	SWITCH; HIGH PRESSURE
TUB14866	6	1	TUBE; DISCHARGE PIPE ASSEMBLY
BAS03048	7	1	BASE; ASSEMBLY
COM12497	8	1	COMPRESSOR; SCROLL; LG; LBA042B1CPA; 4 TON; 42,000 BTUH; 208/230-60-1; R-410A; BRAZED; SUCTION 7/8; DISCHARGE 1/2
PNL35120	9	2	PANEL; ASSY, SIDE BOARD
WIR08471	10	1	HARNESS; COMPRESSOR
PNL33842	11	1	COVER; ASSY, TOP
FAN05658	12	1	FAN; FAN BLADE ASSEMBLY
MOT18410	13	1	MOTOR; PSC, 1/3HP, 208 - 230V, 60HZ, 15UF CAPACITOR
GRL02052	14	1	GRILLE; FAN
PNL33847	15	1	PANEL; SUPPORTING BOARD
COL25524	16	1	COIL; ASSEMBLY
COL28141	17	1	COIL; CONDENSOR
TUB14856	18	1	TUBE; OUTPUT PIPE ASSEMBLY I OF CONDENSER
TUB14855	19	1	TUBE; EVAPORATOR CONNECTION PIPE ASSEMBLY
TUB14862	20	1	TUBE; CONDENSER INPUT PIPE ASSEMBLY
BOX03357	21	1	BOX; PANEL BELOW SIDE BOARD ASSEMBLY
PNL35117	22	1	PANEL; UPWARD SIDE BOARD
CPT02493	23	1	CAPACITOR; RUN; 70UF/450V-P2(2000H)
CTR02987	24	1	CONTACTOR; AC, 24V
CPT02523	25	1	CAPACITOR; FAN; 15UF/450V-P2(2000H)
PNL33848	26	1	PANEL; UPWARD SIDE BOARD
PNL33872	27	1	PANEL; BELOW SIDE BOARD ASSEMBLY