

| Part No. | Reference No. | Quantity | Description |
|--------------------------|----------------------|-----------------|--------------------|
| 75010880#M4ACUP3~S | * | | GENERAL ASSEMBLY |
| M4ACUP3_M4ACUP3_136503~P | * | | M4ACUP3 PARTS LIST |
| 75009812#M4ACUP3~S | * | | MODEL NOMENCLATURE |

NO GRAPHIC AVAILABLE

75013702

REV
A

**NO
GRAPHIC
AVAILABLE**

MODEL NOMENCLATURE

75009812

REV
A

Air Conditioner Units

Model Number Example

M 4 A C 3 0 1 8 A 1 0 0 0 A A
1 2 3 4 5 6 7 8 9 10 11 12 13 14 15

Digit 1 = Brand Name
M = Ameristar

Digit 2 = Refrigerant
2 = R22
4 = R410A

Digit 3-4 = Unit Type
AC = Air Conditioner

Digit 5 = Efficiency Tier
3 - 13 SEER
4 - 14 SEER

Digit 6,7,8 = Tonnage
018 = 1.5 ton
024 = 2.0 ton
030 = 2.5 ton
036 = 3.0 ton
042 = 3.5 ton
048 = 4.0 ton
060 = 5.0 ton

Digit 9 = Major Development Sequence
Alphabet Letter; "A" through "Z"

Digit 10 = Electric Power Supply Characteristics
1 = 200-230V/1PH/60Hz or 208-230V/1PH/60Hz

Digit 11,12,13 = Secondary Function
000 = No Secondary Function

Digit 14,15 = Minor Design Sequence - Design Change
Alphabet Letter; "A" through "Z"

MODEL NOMENCLATURE

Parts List Number :M4ACUP3#M4ACUP3

Model Number :M4AC4042C1000AA

| Part No. | Reference No. | Quantity | Description |
|---------------------------|---------------|----------|-------------------------------|
| 75009812_M4ACUP3_136504~P | * | | MODEL NOMENCLATURE PARTS LIST |

MODEL NOMENCLATURE

75009812

REV
A

Air Conditioner Units

Model Number Example

M 4 A C 3 0 1 8 A 1 0 0 0 A A
1 2 3 4 5 6 7 8 9 10 11 12 13 14 15

Digit 1 = Brand Name
M = Ameristar

Digit 2 = Refrigerant
2 = R22
4 = R410A

Digit 3-4 = Unit Type
AC = Air Conditioner

Digit 5 = Efficiency Tier
3 - 13 SEER
4 - 14 SEER

Digit 6,7,8 = Tonnage
018 = 1.5 ton
024 = 2.0 ton
030 = 2.5 ton
036 = 3.0 ton
042 = 3.5 ton
048 = 4.0 ton
060 = 5.0 ton

Digit 9 = Major Development Sequence
Alphabet Letter; "A" through "Z"

Digit 10 = Electric Power Supply Characteristics
1 = 200-230V/1PH/60Hz or 208-230V/1PH/60Hz

Digit 11,12,13 = Secondary Function
000 = No Secondary Function

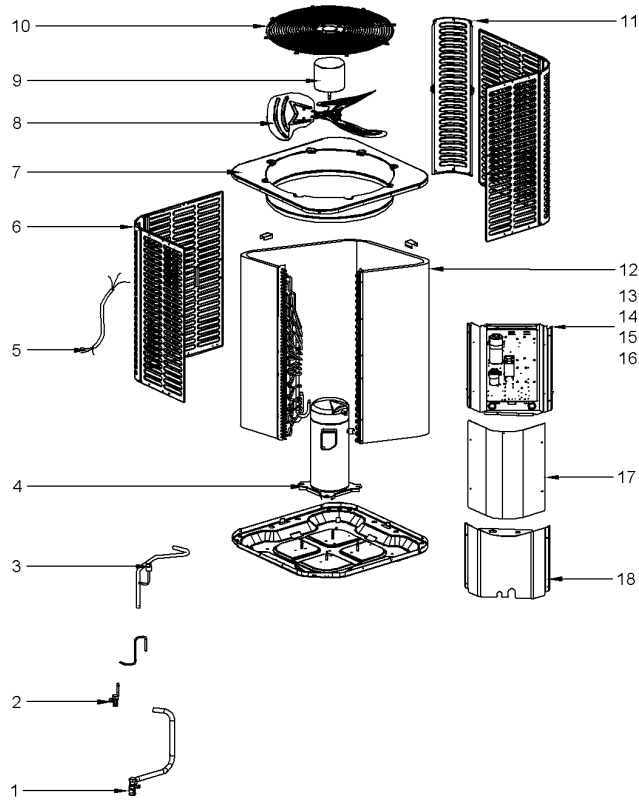
Digit 14,15 = Minor Design Sequence - Design Change
Alphabet Letter; "A" through "Z"

GENERAL ASSEMBLY

75010880

REV.
A

AMERISTAR 14 SEER 2.0, 3.0, 3.5, 4.0 & 5.0 TON AIR CONDITIONER
TYPICAL ILLUSTRATION



Parts List Number :M4ACUP3#M4ACUP3

Model Number :M4AC4042C1000AA

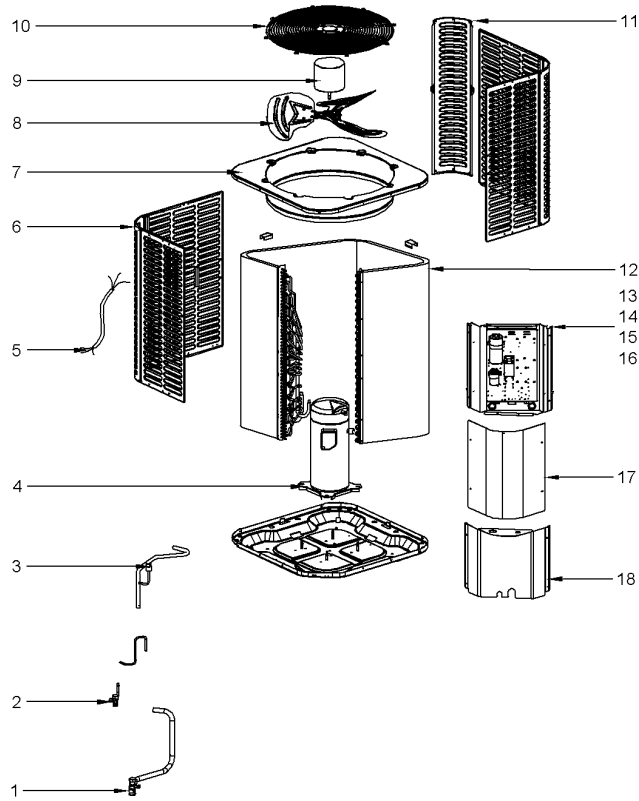
| Part No. | Reference No. | Quantity | Description |
|---------------------------|---------------|----------|-----------------------------|
| 75010880_M4ACUP3_209360~P | * | | GENERAL ASSEMBLY PARTS LIST |

GENERAL ASSEMBLY

75010880

REV.
A

AMERISTAR 14 SEER 2.0, 3.0, 3.5, 4.0 & 5.0 TON AIR CONDITIONER
TYPICAL ILLUSTRATION



| Part No. | Reference No. | Quantity | Description |
|----------|---------------|----------|--|
| VAL10527 | 1 | 1 | VALVE; LOW PRESSURE ASSEMBLY |
| VAL10516 | 2 | 1 | VALVE; HIGH-PRESSURE ASSEMBLY |
| SWT03618 | 3 | 1 | SWITCH; HIGH PRESSURE |
| COM10515 | 4 | 1 | COMPRESSOR; SCROLL, SXA036B1BPZ, 3.0 TON, 208/230/60/1, R410A |
| WIR06669 | 5 | 1 | WIRE; COMPRESSOR CONNECT ASSEMBLY |
| PNL32220 | 6 | 2 | PANEL; SIDE BOARD ASS'Y |
| PNL28978 | 7 | 1 | COVER; ASSY, TOP |
| FAN04641 | 8 | 1 | FAN; BLADE |
| MOT16141 | 9 | 1 | MOTOR; FAN; 1/3 HP, PSC, SINGLE AXLE |
| GRL01832 | 10 | 1 | GRILLE; TOP COVER |
| PNL28942 | 11 | 1 | PANEL; SUPPORTING BOARD |
| COL25524 | 12 | 1 | COIL; ASSEMBLY |
| BRD04303 | 13 | 1 | BOARD; INSTALLATION ASSEMBLY (THIS IS ONLY THE PANEL WHERE THE ELECTRICAL COMPONENTS ARE MOUNTED ON) |
| CTR02652 | 14 | 1 | CONTACTOR; AC, 24V |
| CPT02059 | 15 | 1 | CAPACITOR; MOTOR 15 UF CAPACITY, RATED VOLTAGE : 450V, RATED FREQUENCY : 50/60HZ, TEMPERATURE : -40 DEGREES C, 70 DEGREES C, CABINET SIZE: 45 X 60MM |
| CPT02058 | 16 | 1 | CAPACITOR; COMPRESSOR, 450VAC 50/60HZ, 45UF |
| PNL28940 | 17 | 1 | PANEL; UPWARD SIDE BOARD |
| PNL28941 | 18 | 1 | PANEL; BELOW SIDE BOARD ASSEMBLY |