

Part No.	Reference No.	Quantity	Description
75010879#M4ACUP3~S	*		GENERAL ASSEMBLY
M4ACUP3_M4ACUP3_136503~P	*		M4ACUP3 PARTS LIST
75009812#M4ACUP3~S	*		MODEL NOMENCLATURE

NO GRAPHIC AVAILABLE

75013702

REV
A

**NO
GRAPHIC
AVAILABLE**

MODEL NOMENCLATURE

75009812

REV
A

Air Conditioner Units

Model Number Example

M 4 A C 3 0 1 8 A 1 0 0 0 A A
1 2 3 4 5 6 7 8 9 10 11 12 13 14 15

Digit 1 = Brand Name
M = Ameristar

Digit 2 = Refrigerant
2 = R22
4 = R410A

Digit 3-4 = Unit Type
AC = Air Conditioner

Digit 5 = Efficiency Tier
3 - 13 SEER
4 - 14 SEER

Digit 6,7,8 = Tonnage
018 = 1.5 ton
024 = 2.0 ton
030 = 2.5 ton
036 = 3.0 ton
042 = 3.5 ton
048 = 4.0 ton
060 = 5.0 ton

Digit 9 = Major Development Sequence
Alphabet Letter; "A" through "Z"

Digit 10 = Electric Power Supply Characteristics
1 = 200-230V/1PH/60Hz or 208-230V/1PH/60Hz

Digit 11,12,13 = Secondary Function
000 = No Secondary Function

Digit 14,15 = Minor Design Sequence - Design Change
Alphabet Letter; "A" through "Z"

MODEL NOMENCLATURE

Parts List Number :M4ACUP3#M4ACUP3

Model Number :M4AC4030C1000AA

Part No.	Reference No.	Quantity	Description
75009812_M4ACUP3_136504~P	*		MODEL NOMENCLATURE PARTS LIST

MODEL NOMENCLATURE

75009812

REV
A

Air Conditioner Units

Model Number Example

M 4 A C 3 0 1 8 A 1 0 0 0 A A
1 2 3 4 5 6 7 8 9 10 11 12 13 14 15

Digit 1 = Brand Name
M = Ameristar

Digit 2 = Refrigerant
2 = R22
4 = R410A

Digit 3-4 = Unit Type
AC = Air Conditioner

Digit 5 = Efficiency Tier
3 - 13 SEER
4 - 14 SEER

Digit 6,7,8 = Tonnage
018 = 1.5 ton
024 = 2.0 ton
030 = 2.5 ton
036 = 3.0 ton
042 = 3.5 ton
048 = 4.0 ton
060 = 5.0 ton

Digit 9 = Major Development Sequence
Alphabet Letter; "A" through "Z"

Digit 10 = Electric Power Supply Characteristics
1 = 200-230V/1PH/60Hz or 208-230V/1PH/60Hz

Digit 11,12,13 = Secondary Function
000 = No Secondary Function

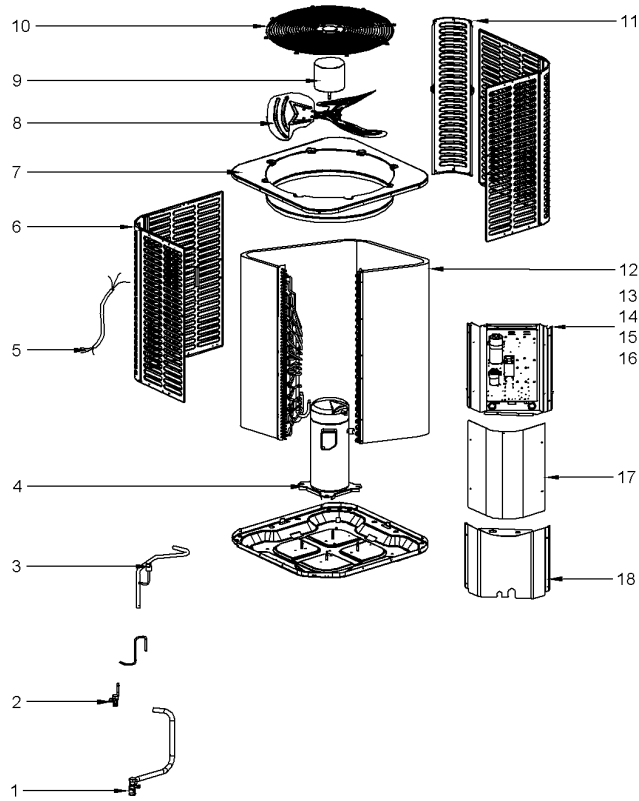
Digit 14,15 = Minor Design Sequence - Design Change
Alphabet Letter; "A" through "Z"

GENERAL ASSEMBLY

75010879

REV.
A

AMERISTAR 14 SEER 1.5 & 2.5 TON AIR CONDITIONER
TYPICAL ILLUSTRATION



Parts List Number :M4ACUP3#M4ACUP3

Model Number :M4AC4030C1000AA

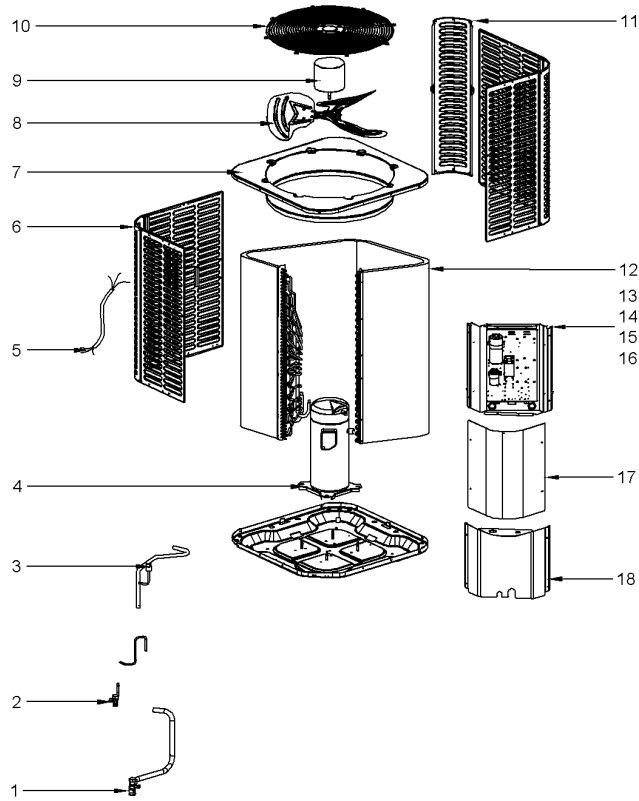
Part No.	Reference No.	Quantity	Description
75010879_M4ACUP3_266428~P	*		GENERAL ASSEMBLY PARTS LIST

GENERAL ASSEMBLY

75010879

REV.
A

AMERISTAR 14 SEER 1.5 & 2.5 TON AIR CONDITIONER
TYPICAL ILLUSTRATION



Part No.	Reference No.	Quantity	Description
VAL10524	1	1	VALVE; LOW PRESSURE ASSEMBLY
VAL10516	2	1	VALVE; HIGH-PRESSURE ASSEMBLY
SWT03618	3	1	SWITCH; HIGH PRESSURE
COM10513	4	1	COMPRESSOR; SCROLL, SXA025C1BPZ, 2.08 TON, 208/230/60/1, R410A
WIR06669	5	1	WIRE; COMPRESSOR CONNECT ASSEMBLY
PNL28966	6	2	PANEL; ASSY, SIDE BOARD
PNL28978	7	1	COVER; ASSY, TOP
FAN04641	8	1	FAN; BLADE
MOT16140	9	1	MOTOR; FAN; 208/230V 60HZ 1PH, 1.0A, 825RPM, CCW, PSC, D 5 5/8 INCH H 6 INCH, ROLLING
GRL01832	10	1	GRILLE; TOP COVER
PNL28962	11	1	PANEL; SUPPORT BOARD
COL25522	12	1	COIL; ASSEMBLY
BRD04303	13	1	BOARD; INSTALLATION ASSEMBLY (THIS IS ONLY THE PANEL WHERE THE ELECTRICAL COMPONENTS ARE MOUNTED ON)
CTR02652	14	1	CONTACTOR; AC, 24V
CPT02056	15	1	CAPACITOR; MOTOR, 6UF (MFD), 450VAC 50/60HZ
CPT02057	16	1	CAPACITOR; COMPRESSOR; SIZE 40UF, 450VAC 50/60HZ
PNL28940	17	1	PANEL; UPWARD SIDE BOARD
PNL29783	18	1	PANEL; BELOW SIDE BOARD ASSEMBLY