

<b>Part No.</b>	<b>Reference No.</b>	<b>Quantity</b>	<b>Description</b>
75012386#M4ACUP4-S	*		GENERAL ASSEMBLY
M4ACUP4_M4ACUP4_262737-P	*		M4ACUP4 PARTS LIST
75009812#M4ACUP4-S	*		MODEL NOMENCLATURE

NO GRAPHIC AVAILABLE

75013702

REV  
A

**NO  
GRAPHIC  
AVAILABLE**

MODEL NOMENCLATURE

75009812

REV  
A

Air Conditioner Units

Model Number Example

**M 4 A C 3 0 1 8 A 1 0 0 0 A A**  
**1 2 3 4 5 6 7 8 9 10 11 12 13 14 15**

Digit 1 = Brand Name  
M = Ameristar

Digit 2 = Refrigerant  
2 = R22  
4 = R410A

Digit 3-4 = Unit Type  
AC = Air Conditioner

Digit 5 = Efficiency Tier  
3 - 13 SEER  
4 - 14 SEER

Digit 6,7,8 = Tonnage  
018 = 1.5 ton  
024 = 2.0 ton  
030 = 2.5 ton  
036 = 3.0 ton  
042 = 3.5 ton  
048 = 4.0 ton  
060 = 5.0 ton

Digit 9 = Major Development Sequence  
Alphabet Letter; "A" through "Z"

Digit 10 = Electric Power Supply Characteristics  
1 = 200-230V/1PH/60Hz or 208-230V/1PH/60Hz

Digit 11,12,13 = Secondary Function  
000 = No Secondary Function

Digit 14,15 = Minor Design Sequence - Design Change  
Alphabet Letter; "A" through "Z"

Parts List Number :M4ACUP4#M4ACUP4

Model Number :M4AC4024D1000AA

Part No.	Reference No.	Quantity	Description
75009812_M4ACUP4_262738~P	*		MODEL NOMENCLATURE PARTS LIST

MODEL NOMENCLATURE

75009812

REV  
A

Air Conditioner Units

Model Number Example

**M 4 A C 3 0 1 8 A 1 0 0 0 A A**  
**1 2 3 4 5 6 7 8 9 10 11 12 13 14 15**

Digit 1 = Brand Name  
M = Ameristar

Digit 2 = Refrigerant  
2 = R22  
4 = R410A

Digit 3-4 = Unit Type  
AC = Air Conditioner

Digit 5 = Efficiency Tier  
3 - 13 SEER  
4 - 14 SEER

Digit 6,7,8 = Tonnage  
018 = 1.5 ton  
024 = 2.0 ton  
030 = 2.5 ton  
036 = 3.0 ton  
042 = 3.5 ton  
048 = 4.0 ton  
060 = 5.0 ton

Digit 9 = Major Development Sequence  
Alphabet Letter; "A" through "Z"

Digit 10 = Electric Power Supply Characteristics  
1 = 200-230V/1PH/60Hz or 208-230V/1PH/60Hz

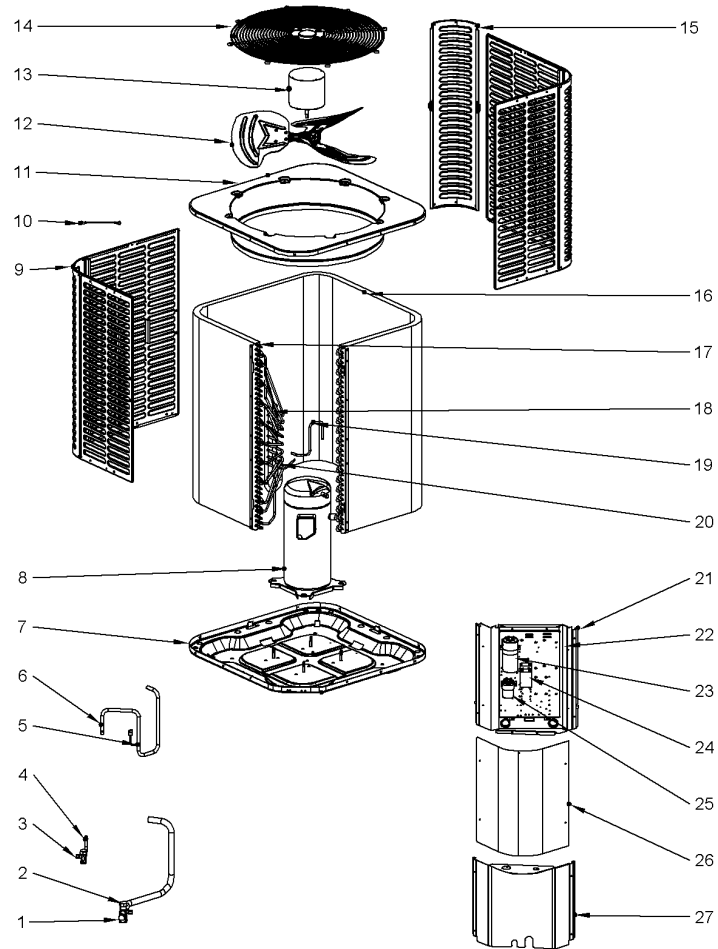
Digit 11,12,13 = Secondary Function  
000 = No Secondary Function

Digit 14,15 = Minor Design Sequence - Design Change  
Alphabet Letter; "A" through "Z"

GENERAL ASSEMBLY  
1.5, 2.0, 2.5, 3.0, 3.5 & 4.0 TON

75012386

REV.  
A



All orderable Service Parts are identified for this product.

Parts that are not identified, will not be available to order.

This is a typical illustration. The unit in the field may not appear exactly as shown.

Parts List Number :M4ACUP4#M4ACUP4

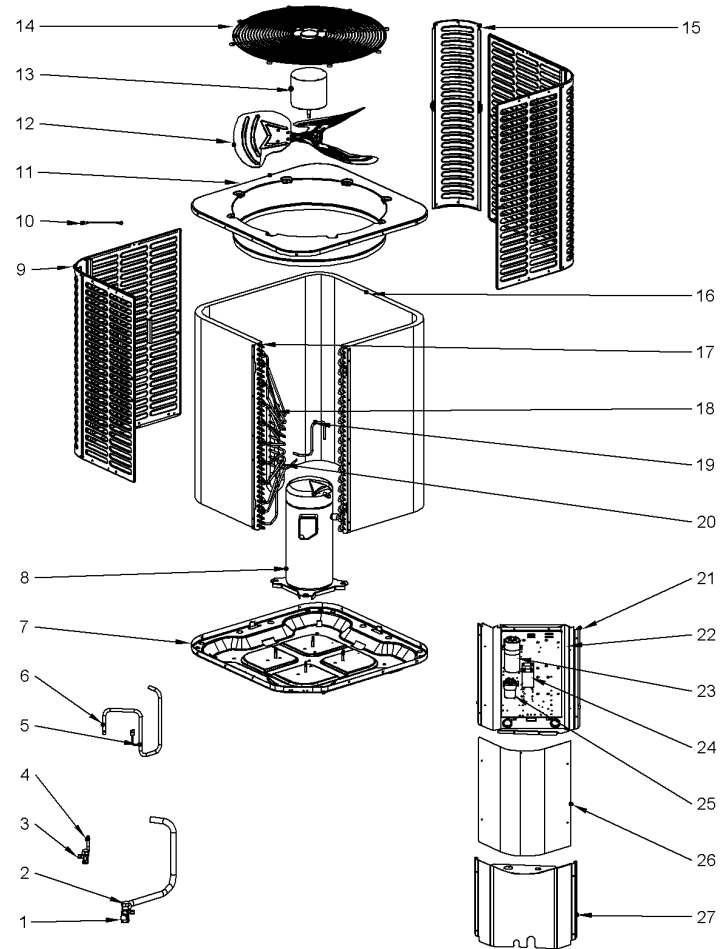
Model Number :M4AC4024D1000AA

Part No.	Reference No.	Quantity	Description
75012386_M4ACUP4_294277~P	*		GENERAL ASSEMBLY PARTS LIST

GENERAL ASSEMBLY  
1.5, 2.0, 2.5, 3.0, 3.5 & 4.0 TON

75012386

REV.  
A



All orderable Service Parts are identified for this product.

Parts that are not identified, will not be available to order.

This is a typical illustration. The unit in the field may not appear exactly as shown.

Part No.	Reference No.	Quantity	Description
VAL12512	1	1	VALVE; SUCTION SERVICE VALVE
VAL12497	2	1	VALVE; SUCTION SERVICE VALVE ASSEMBLY
VAL12511	3	1	VALVE; LIQUID SERVICE VALVE
VAL12457	4	1	TUBE; LIQUID ASSEMBLY
SWT04049	5	1	SWITCH; HIGH PRESSURE
TUB14865	6	1	TUBE; DISCHARGE PIPE ASSEMBLY
BAS03048	7	1	BASE; ASSEMBLY
COM11996	8	1	COMPRESSOR; SCROLL; LG; LBA020C1CLA; 1.75 TON; 19,500 BTUH; 208/230-60-1; R-410A; BRAZED; SUCTION 3/4; DISCHARGE 1/2
PNL33839	9	2	PANEL; ASSY, SIDE BOARD
WIR08471	10	1	HARNESS; COMPRESSOR
PNL33843	11	1	COVER; ASSY, TOP
FAN05660	12	1	FAN; FAN BLADE ASSEMBLY
MOT16143	13	1	MOTOR; FAN; PSC, 1/8HP, 208 - 230V, 60HZ, 6UF CAPACITOR
GRL02053	14	1	GRILLE; FAN
PNL33841	15	1	PANEL; SUPPORT BOARD
COL28132	16	1	COIL; CONDENSOR ASS'Y
COL28133	17	1	COIL; CONDENSOR
TUB14858	18	1	TUBE; CONDENSER OUTLET PIPE ASS'Y
TUB14856	19	1	TUBE; OUTPUT PIPE ASSEMBLY I OF CONDENSER
TUB14859	20	1	TUBE; CONDENSER INLET PIPE ASS'Y
BOX03353	21	1	BOX; ASSEMBLY
PNL35116	22	1	PANEL; UPWARD SIDE BOARD
CPT02569	23	1	CAPACITOR; COMPRESSOR; SIZE 35UF, 450VAC 50/60HZ
CTR02987	24	1	CONTACTOR; AC, 24V
CPT02520	25	1	CAPACITOR; FAN; 6UF/450V-P2(2000H)
PNL33848	26	1	PANEL; UPWARD SIDE BOARD
PNL33870	27	1	PANEL; BELOW SIDE BOARD ASSEMBLY