

Part No.	Reference No.	Quantity	Description
75010182#M4AHUP2-S	*		GENERAL ASSEMBLY CONDENSERS
M4AHUP2_M4AHUP2_142240-P	*		M4AHUP2 PARTS LIST
75009812#M4AHUP2-S	*		MODEL NOMENCLATURE CONDENSER UNITS
75010192#M4AHUP2-S	*		ORIFICE KITS CHART
75010193#M4AHUP2-S	*		TXV KITS CHART

NO GRAPHIC AVAILABLE

75013702

REV
A

**NO
GRAPHIC
AVAILABLE**

MODEL NOMENCLATURE

75009812

REV
A

Air Conditioner Units

Model Number Example

M 4 A C 3 0 1 8 A 1 0 0 0 A A
1 2 3 4 5 6 7 8 9 10 11 12 13 14 15

Digit 1 = Brand Name
M = Ameristar

Digit 2 = Refrigerant
2 = R22
4 = R410A

Digit 3-4 = Unit Type
AC = Air Conditioner

Digit 5 = Efficiency Tier
3 - 13 SEER
4 - 14 SEER

Digit 6,7,8 = Tonnage

018 = 1.5 ton
024 = 2.0 ton
030 = 2.5 ton
036 = 3.0 ton
042 = 3.5 ton
048 = 4.0 ton
060 = 5.0 ton

Digit 9 = Major Development Sequence
Alphabet Letter; "A" through "Z"

Digit 10 = Electric Power Supply Characteristics
1 = 200-230V/1PH/60Hz or 208-230V/1PH/60Hz

Digit 11,12,13 = Secondary Function
000 = No Secondary Function

Digit 14,15 = Minor Design Sequence - Design Change
Alphabet Letter; "A" through "Z"

Parts List Number :M4AHUP2#M4AHUP2

Model Number :M4AC3060B1000NA

Part No.	Reference No.	Quantity	Description
75009812_M4AHUP2_142241~P	*		MODEL NOMENCLATURE CONDENSER UNITS PARTS LIST

MODEL NOMENCLATURE
Air Conditioner Units

75009812

REV
A

Model Number Example

M 4 A C 3 0 1 8 A 1 0 0 0 A A
1 2 3 4 5 6 7 8 9 10 11 12 13 14 15

Digit 1 = Brand Name
M = Ameristar

Digit 2 = Refrigerant
2 = R22
4 = R410A

Digit 3-4 = Unit Type
AC = Air Conditioner

Digit 5 = Efficiency Tier
3 - 13 SEER
4 - 14 SEER

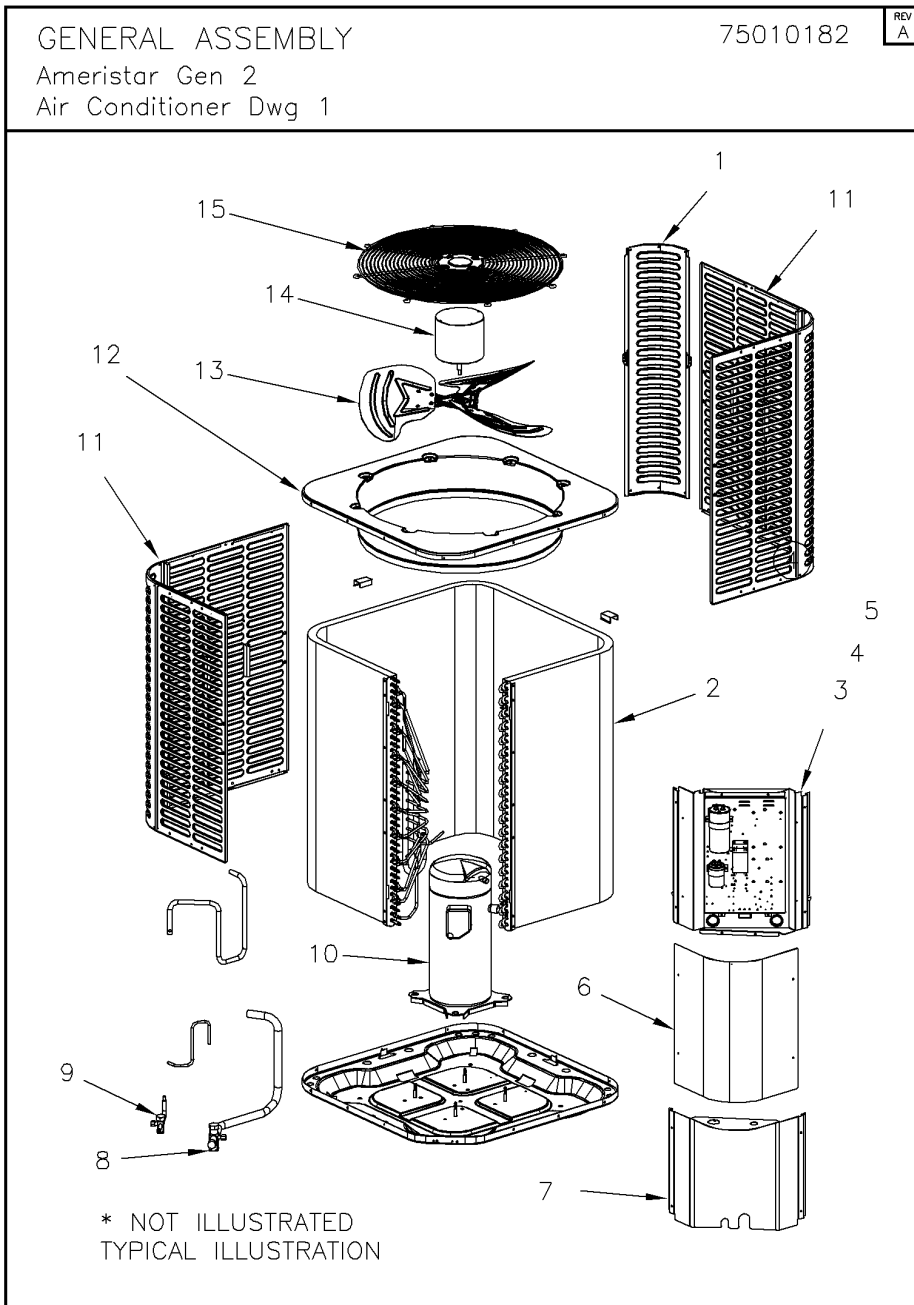
Digit 6,7,8 = Tonnage
018 = 1.5 ton
024 = 2.0 ton
030 = 2.5 ton
036 = 3.0 ton
042 = 3.5 ton
048 = 4.0 ton
060 = 5.0 ton

Digit 9 = Major Development Sequence
Alphabet Letter; "A" through "Z"

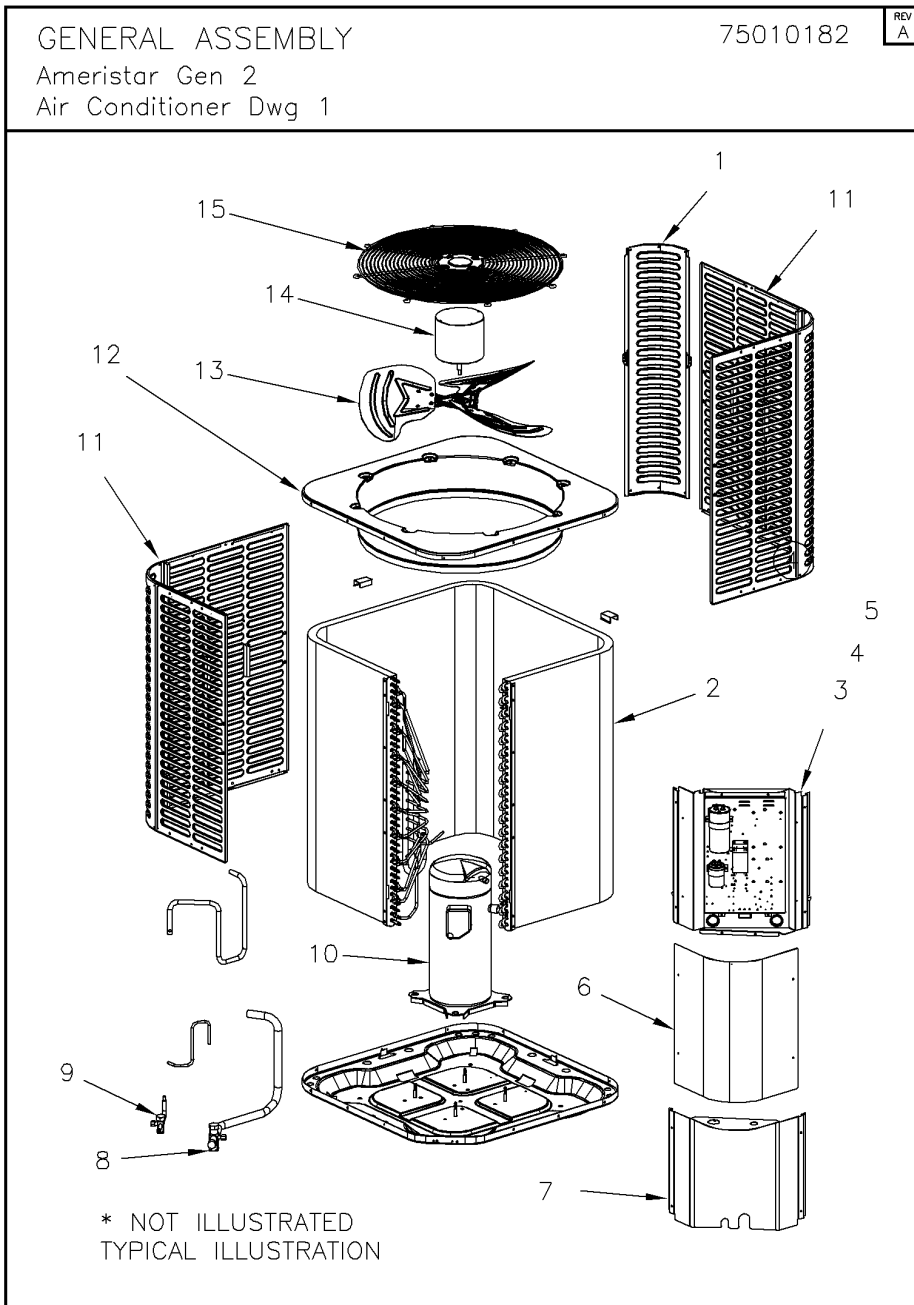
Digit 10 = Electric Power Supply Characteristics
1 = 200-230V/1PH/60Hz or 208-230V/1PH/60Hz

Digit 11,12,13 = Secondary Function
000 = No Secondary Function

Digit 14,15 = Minor Design Sequence - Design Change
Alphabet Letter; "A" through "Z"



Part No.	Reference No.	Quantity	Description
75010182_M4AHUP2_325925~P	*		GENERAL ASSEMBLY CONDENSERS PARTS LIST



Parts List Number :M4AHUP2#M4AHUP2

Model Number :M4AC3060B1000NA

Part No.	Reference No.	Quantity	Description
WIR06921	*	1	WIRE;COMPRESSOR
PNL28942	1	1	PANEL; SUPPORTING BOARD
COL20271	2	1	COIL; CONDENSER ASSEMBLY
CTR02652	3	1	CONTACTOR; AC, 24V
CPT02059	4	2	CAPACITOR; MOTOR 15 UF CAPACITY, RATED VOLTAGE : 450V, RATED FREQUENCY : 50/60HZ, TEMPERATURE : -40 DEGREES C, 70 DEGREES C, CABINET SIZE: 45 X 60MM
CPT02063	5	1	CAPACITOR; COMPRESSOR, 60UF 450V, 130MM HIGH, DIAMETER 55MM
PNL28940	6	1	PANEL; UPWARD SIDE BOARD
PNL28941	7	1	PANEL; BELOW SIDE BOARD ASSEMBLY
VAL11168	8	1	VALVE; LOW PRESSURE ASSEMBLY
VAL10516	9	1	VALVE; HIGH-PRESSURE ASSEMBLY
COM10936	10	1	COMPRESSOR;
PNL29786	11	2	PANEL; SIDE BOARD ASSEMBLY
PNL28979	12	1	COVER; ASSY, TOP
FAN04642	13	1	FAN; BLADE
MOT16141	14	1	MOTOR; FAN; 1/3 HP, PSC, SINGLE AXLE
GRL01833	15	1	GRILLE; TOP COVER

Condensing Unit	Air Handle / A-Coil	Piston Size	Optional TXV	SEER	If Preinstalled Piston Replace Required	
AC	M4AC3018B1000AA	M4CXC024BA1CAAA	C050	MAYTXVACAC1818AA	13	YES
		M4CXC025BB1CAAA	C050	MAYTXVACAC1818AA	13	YES
		M4AH3018B1000AA	C050	MAYTXVACAC1818AA	13	YES
	M4AC3024B1000AA	M4CXC024BA1CAAA	C056	MAYTXVACHP1830AA	13	NO
		M4CXC025BB1CAAA	C056	MAYTXVACHP1830AA	13	NO
	M4AC3024B1000AA	M4AH3024B1000AA	C056	MAYTXVACHP1830AA	13	NO
		M4CXC024BA1CAAA	C060	MAYTXVACHP1830AA	13	YES
	M4AC3030B1000AA	M4CXC025BB1CAAA	C060	MAYTXVACHP1830AA	13	YES
		M4AH3030B1000AA	C063	MAYTXVACHP1830AA	13	YES
	M4AC3036B1000AA	M4CXC035BA1CAAA	C069	MAYTXVACHP3642AA	13	NO
		M4CXC035BB1CAAA	C067	MAYTXVACHP3642AA	13	NO
		M4CXC035BC1CAAA	C067	MAYTXVACHP3642AA	13	NO
	M4AC3042B1000AA	M4AH3036B1000AA	C071	MAYTXVACHP3642AA	13	YES
		M4CXC042BB1CAAA	C074	MAYTXVACHP3642AA	13	NO
		M4CXC048BC1CAAA	C074	MAYTXVACHP3642AA	13	YES
	M4AC3042B1000AA	M4CXC060BD1CAAA	C074	MAYTXVACHP3642AA	13	YES
		M4AH3042B1000AA	C072	MAYTXVACHP3642AA	13	YES
		M4CXC042BB1CAAA	C078	MAYTXVACHP4848AA	13	YES
	M4AC3048B1000AA	M4CXC048BC1CAAA	C078	MAYTXVACHP4848AA	13	NO
		M4CXC060BD1CAAA	C078	MAYTXVACHP4848AA	13	NO
		M4AH3048B1000AA	C078	MAYTXVACHP4848AA	13	YES
	M4AC3060B1000AA	M4CXC049BC1CAAA	C088	MAYTXVACHP6060AA	13	NO
		M4CXC061BD1CAAA	C088	MAYTXVACHP6060AA	13	NO
		M4AH3060B1000AA	C090	MAYTXVACHP6060AA	13	YES
HP	M4HP3018A1000AA	M4AH3018B1000AA	C051	MAYTXVACHP1830AA	13	NO
	M4HP3024A1000AA	M4AH3024B1000AA	C056	MAYTXVACHP1830AA	13	NO
	M4HP3030A1000AA	M4AH3030B1000AA	C061	MAYTXVACHP1830AA	13	NO
	M4HP3036A1000AA	M4AH3036B1000AA	C066	MAYTXVACHP3642AA	13	NO
	M4HP3042A1000AA	M4AH3042B1000AA	C075	MAYTXVACHP3642AA	13	NO
	M4HP3048A1000AA	M4AH3048B1000AA	C083	MAYTXVACHP4848AA	13	NO
	M4HP3060A1000AA	M4AH3060B1000AA	C096	MAYTXVACHP6060AA	13	NO

*The optional TXV means the recommended model for field installation.

Parts List Number :M4AHUP2#M4AHUP2

Model Number :M4AC3060B1000NA

Part No.	Reference No.	Quantity	Description
75010193_M4AHUP2_142245~P	*		TXV KITS CHART PARTS LIST

Condensing Unit	Air Handle / A-Coil	Piston Size	Optional TXV	SEER	If Preinstalled Piston Replace Required	
AC	M4AC3018B1000AA	M4CXC024BA1CAAA	C050	MAYTXVACAC1818AA	13	YES
		M4CXC025BB1CAAA	C050	MAYTXVACAC1818AA	13	YES
		M4AH3018B1000AA	C050	MAYTXVACAC1818AA	13	YES
	M4AC3024B1000AA	M4CXC024BA1CAAA	C056	MAYTXVACHP1830AA	13	NO
		M4CXC025BB1CAAA	C056	MAYTXVACHP1830AA	13	NO
	M4AC3024B1000AA	M4AH3024B1000AA	C056	MAYTXVACHP1830AA	13	NO
		M4CXC024BA1CAAA	C060	MAYTXVACHP1830AA	13	YES
	M4AC3030B1000AA	M4CXC025BB1CAAA	C060	MAYTXVACHP1830AA	13	YES
		M4AH3030B1000AA	C063	MAYTXVACHP1830AA	13	YES
	M4AC3036B1000AA	M4CXC035BA1CAAA	C069	MAYTXVACHP3642AA	13	NO
		M4CXC035BB1CAAA	C067	MAYTXVACHP3642AA	13	NO
		M4CXC035BC1CAAA	C067	MAYTXVACHP3642AA	13	NO
	M4AC3042B1000AA	M4AH3036B1000AA	C071	MAYTXVACHP3642AA	13	YES
		M4CXC042BB1CAAA	C074	MAYTXVACHP3642AA	13	NO
		M4CXC048BC1CAAA	C074	MAYTXVACHP3642AA	13	YES
	M4AC3042B1000AA	M4CXC060BD1CAAA	C074	MAYTXVACHP3642AA	13	YES
		M4AH3042B1000AA	C072	MAYTXVACHP3642AA	13	YES
		M4CXC042BB1CAAA	C078	MAYTXVACHP4848AA	13	YES
		M4CXC048BC1CAAA	C078	MAYTXVACHP4848AA	13	NO
	M4AC3048B1000AA	M4CXC060BD1CAAA	C078	MAYTXVACHP4848AA	13	NO
		M4AH3048B1000AA	C078	MAYTXVACHP4848AA	13	YES
		M4CXC049BC1CAAA	C088	MAYTXVACHP6060AA	13	NO
	M4AC3060B1000AA	M4CXC061BD1CAAA	C088	MAYTXVACHP6060AA	13	NO
		M4AH3060B1000AA	C090	MAYTXVACHP6060AA	13	YES
HP	M4HP3018A1000AA	M4AH3018B1000AA	C051	MAYTXVACHP1830AA	13	NO
	M4HP3024A1000AA	M4AH3024B1000AA	C056	MAYTXVACHP1830AA	13	NO
	M4HP3030A1000AA	M4AH3030B1000AA	C061	MAYTXVACHP1830AA	13	NO
	M4HP3036A1000AA	M4AH3036B1000AA	C066	MAYTXVACHP3642AA	13	NO
	M4HP3042A1000AA	M4AH3042B1000AA	C075	MAYTXVACHP3642AA	13	NO
	M4HP3048A1000AA	M4AH3048B1000AA	C083	MAYTXVACHP4848AA	13	NO
	M4HP3060A1000AA	M4AH3060B1000AA	C096	MAYTXVACHP6060AA	13	NO

*The optional TXV means the recommended model for field installation.

Parts List Number :M4AHUP2#M4AHUP2

Model Number :M4AC3060B1000NA

Part No.	Reference No.	Quantity	Description
MAYTXVAC	*	1	NO DESCRIPTION AVAILABLE

Parts List Number :M4AHUP2#M4AHUP2

Model Number :M4AC3060B1000NA

Part No.	Reference No.	Quantity	Description
75010192_M4AHUP2_142243~P	*		ORIFICE KITS CHART PARTS LIST

Parts List Number :M4AHUP2#M4AHUP2

Model Number :M4AC3060B1000NA

Part No.	Reference No.	Quantity	Description
MAYORIACHP	*	1	NO DESCRIPTION AVAILABLE