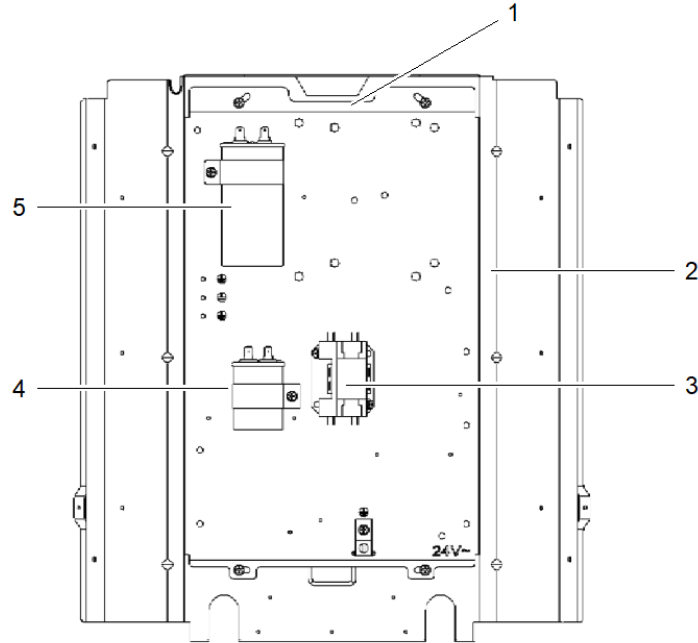


Parts List Number :0000122167

Model Number :M4AC3048C1000NA

Part No.	Reference No.	Quantity	Description
0000122170~S	*		CONTROL PANEL ASSY PARTS
0000122169~S	*		GENERAL ASSY PARTS
0000122168~S	*		MODEL NUMBER DESCRIPTION

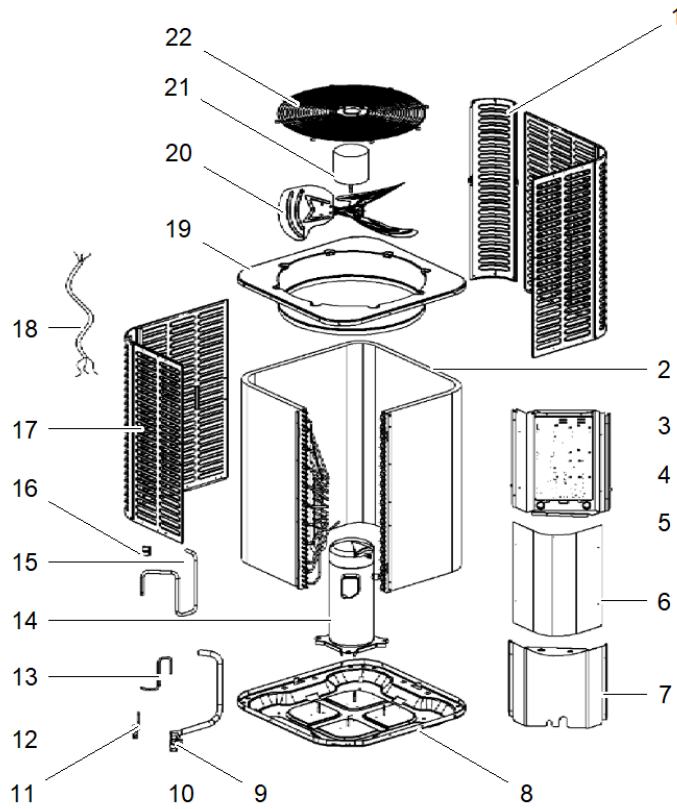
Part No.	Reference No.	Quantity	Description
0000015007~P	*		CONTROL PANEL ASSY PARTS



All orderable Service Parts are identified for this product.
Parts that are not identified, will not be available to order.
This is a typical illustration. The unit in the field may not appear exactly as shown.

Part No.	Reference No.	Quantity	Description
PLT06397	2	1	PLATE; INSTALLATION PLATE OF ELECTRIC PARTS SUBASSEMBLY
CTR02987	3	1	CONTACTOR; AC, 24V
CPT02493	4	1	CAPACITOR; RUN; 70UF/450V-P2(2000H)
CPT02523	5	1	CAPACITOR; FAN; 15UF/450V-P2(2000H)

Part No.	Reference No.	Quantity	Description
0000014999~P	*		GENERAL ASSY PARTS



All orderable Service Parts are identified for this product.
Parts that are not identified, will not be available to order.
This is a typical illustration. The unit in the field may not appear exactly as shown.

Part No.	Reference No.	Quantity	Description
SWT04049	*	1	SWITCH; HIGH PRESSURE
PNL33851	1	1	PANEL; SUPPORT BOARD
COL27792	2	1	COIL; ASSEMBLY
COL18336	3	1	COIL; CONDENSING
PIP03024	4	1	TUBE; COIL DISCHARGE TUBE ASSEMBLY
PIP03028	5	1	TUBE; COIL SUCTION TUBE ASSEMBLY
PNL33848	6	1	PANEL; UPWARD SIDE BOARD
PNL33871	7	1	PANEL; SIDE BOARD ASSEMBLY
BAS03049	8	1	BASE; ASSEMBLY
VAL12477	9	1	VALVE; SUCTION SERVICE VALVE ASSEMBLY
VAL12456	10	1	VALVE; SUCTION SERVICE VALVE, LIQUID VALVE
VAL12457	11	1	TUBE; LIQUID ASSEMBLY
VAL12511	12	1	VALVE; LIQUID SERVICE VALVE
PIP03033	13	1	TUBE; COIL DISCHARGE TUBE ASSEMBLY
COM11971	14	1	COMPRESSOR; SCROLL
PNL35274	17	2	PANEL; ASSY, SIDE BOARD
WIR08471	18	1	HARNESS; COMPRESSOR
PNL33842	19	1	COVER; ASSY, TOP
FAN05658	20	1	FAN; FAN BLADE ASSEMBLY
MOT16141	21	1	MOTOR; FAN; 1/3 HP, PSC, SINGLE AXLE
GRL02052	22	1	GRILLE; FAN

Part No.	Reference No.	Quantity	Description
0000014977~P	*		MODEL NUMBER DESCRIPTION

MODEL NUMBER DESCRIPTION

75014136

REV
B

Example Model Number:
M4AC3024C1000AA
1 - - - 5 - - - - 10 - - - - 15

Digit 1 – Brand Name

M = Ameristar

Digit 2 – Refrigerant Type

4 = R-410A

Digit 3,4 – Product Family

AC = Condensing Unit

Digit 5 – Nominal Efficiency Rating

3 = 13 Seer

Digit 6,7,8 – Nominal Capacity

018 = 18000 Btu/h

024 = 24000 Btu/h

030 = 30000 Btu/h

036 = 36000 Btu/h

042 = 42000 Btu/h

048 = 48000 Btu/h

060 = 60000 Btu/h

Digit 9 – Major Development Sequence

Alphabet Letter 'A' through 'Z'

Digit 10 – Electric Power Supply Characteristics

1 = 200-230V/1PH/60HZ OR 208-230V/1PH/60HZ

Digit 11,12,13 – Secondary Function

000 = No Secondary Function

Digit 14,15 – Minor Design Sequence - Design Change

Alphabet Letter 'A' through 'Z'

