

| Part No. | Reference No. | Quantity | Description |
|--------------------------|----------------------|-----------------|------------------------------------|
| 75010183#M4AHUP2-S | * | | GENERAL ASSEMBLY CONDENSERS |
| M4AHUP2_M4AHUP2_142240-P | * | | M4AHUP2 PARTS LIST |
| 75009812#M4AHUP2-S | * | | MODEL NOMENCLATURE CONDENSER UNITS |
| 75010192#M4AHUP2-S | * | | ORIFICE KITS CHART |
| 75010193#M4AHUP2-S | * | | TXV KITS CHART |

NO GRAPHIC AVAILABLE

75013702

REV
A

**NO
GRAPHIC
AVAILABLE**

MODEL NOMENCLATURE
Air Conditioner Units

75009812

REV
A

Model Number Example

M 4 A C 3 0 1 8 A 1 0 0 0 A A
1 2 3 4 5 6 7 8 9 10 11 12 13 14 15

Digit 1 = Brand Name
M = Ameristar

Digit 2 = Refrigerant
2 = R22
4 = R410A

Digit 3-4 = Unit Type
AC = Air Conditioner

Digit 5 = Efficiency Tier
3 - 13 SEER
4 - 14 SEER

Digit 6,7,8 = Tonnage
018 = 1.5 ton
024 = 2.0 ton
030 = 2.5 ton
036 = 3.0 ton
042 = 3.5 ton
048 = 4.0 ton
060 = 5.0 ton

Digit 9 = Major Development Sequence
Alphabet Letter; "A" through "Z"

Digit 10 = Electric Power Supply Characteristics
1 = 200-230V/1PH/60Hz or 208-230V/1PH/60Hz

Digit 11,12,13 = Secondary Function
000 = No Secondary Function

Digit 14,15 = Minor Design Sequence - Design Change
Alphabet Letter; "A" through "Z"

Parts List Number :M4AHUP2#M4AHUP2

Model Number :M4AC3036B1000NA

| Part No. | Reference No. | Quantity | Description |
|---------------------------|---------------|----------|---|
| 75009812_M4AHUP2_142241~P | * | | MODEL NOMENCLATURE CONDENSER UNITS PARTS LIST |

MODEL NOMENCLATURE

75009812

REV
A

Air Conditioner Units

Model Number Example

M 4 A C 3 0 1 8 A 1 0 0 0 A A
1 2 3 4 5 6 7 8 9 10 11 12 13 14 15

Digit 1 = Brand Name
M = Ameristar

Digit 2 = Refrigerant
2 = R22
4 = R410A

Digit 3-4 = Unit Type
AC = Air Conditioner

Digit 5 = Efficiency Tier
3 - 13 SEER
4 - 14 SEER

Digit 6,7,8 = Tonnage
018 = 1.5 ton
024 = 2.0 ton
030 = 2.5 ton
036 = 3.0 ton
042 = 3.5 ton
048 = 4.0 ton
060 = 5.0 ton

Digit 9 = Major Development Sequence
Alphabet Letter; "A" through "Z"

Digit 10 = Electric Power Supply Characteristics
1 = 200-230V/1PH/60Hz or 208-230V/1PH/60Hz

Digit 11,12,13 = Secondary Function
000 = No Secondary Function

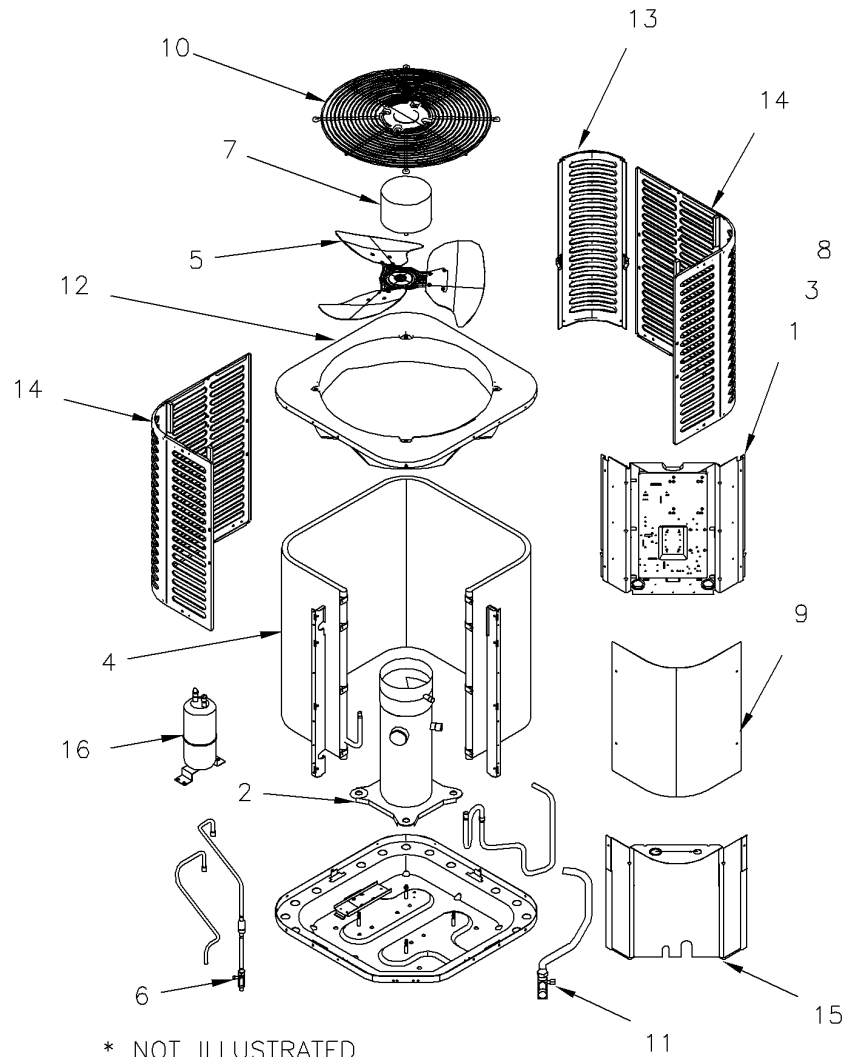
Digit 14,15 = Minor Design Sequence - Design Change
Alphabet Letter; "A" through "Z"

GENERAL ASSEMBLY

75010183

REV
A

Ameristar Gen 2
Air Conditioner Dwg 2



* NOT ILLUSTRATED
TYPICAL ILLUSTRATION

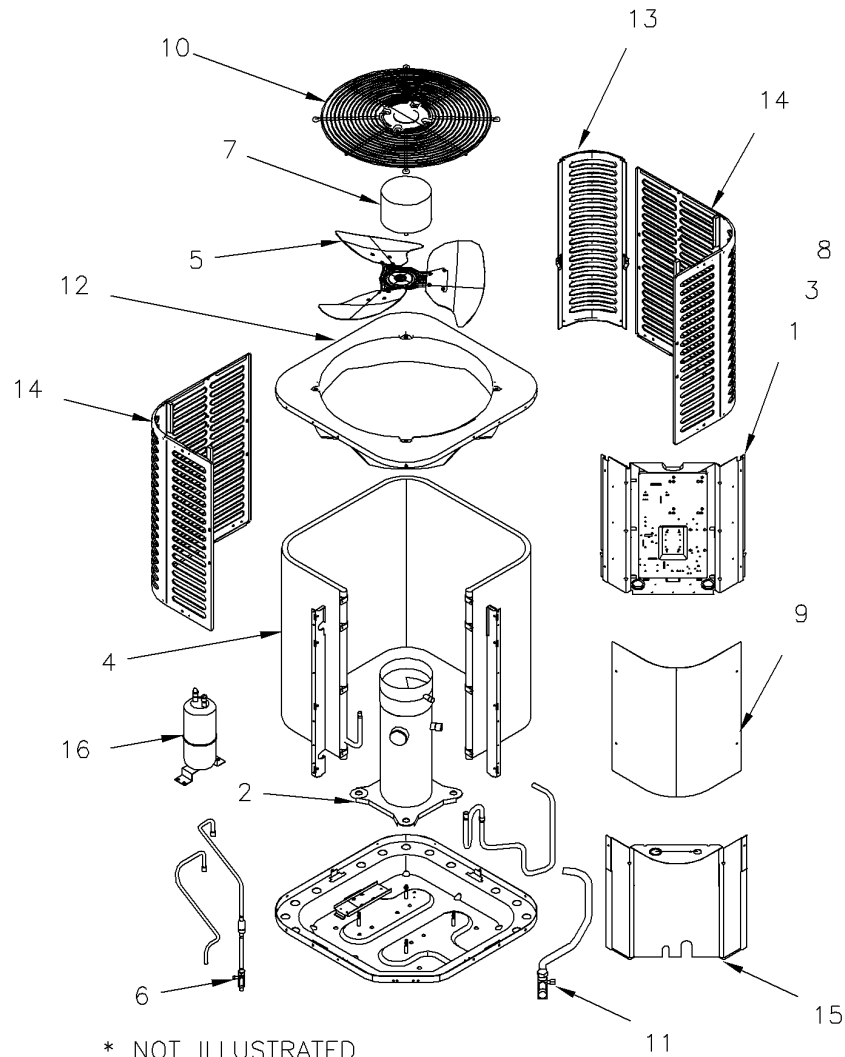
| Part No. | Reference No. | Quantity | Description |
|---------------------------|---------------|----------|--|
| 75010183_M4AHUP2_331648~P | * | | GENERAL ASSEMBLY CONDENSERS PARTS LIST |

GENERAL ASSEMBLY

75010183

REV
A

Ameristar Gen 2
Air Conditioner Dwg 2



* NOT ILLUSTRATED
TYPICAL ILLUSTRATION

Parts List Number :M4AHUP2#M4AHUP2

Model Number :M4AC3036B1000NA

| Part No. | Reference No. | Quantity | Description |
|----------|---------------|----------|---|
| WIR06921 | * | 1 | WIRE;COMPRESSOR |
| CTR02652 | 1 | 1 | CONTACTOR; AC, 24V |
| COM10507 | 2 | 1 | COMPRESSER; SCROLL, 3 TON, 230V-1P, R410A, LG APA032KAB |
| CPT02058 | 3 | 1 | CAPACITOR; COMPRESSOR, 450VAC 50/60HZ, 45UF |
| COL20282 | 4 | 1 | COIL; ASSEMBLY |
| FAN04640 | 5 | 1 | FAN; BLADE |
| VAL10520 | 6 | 1 | VALVE; LIQUID SIDE BODY |
| MOT14552 | 7 | 1 | MOTOR; FAN |
| CPT02056 | 8 | 1 | CAPACITOR; MOTOR, 6UF (MFD), 450VAC 50/60HZ |
| PNL28940 | 9 | 1 | PANEL; UPWARD SIDE BOARD |
| GRL01831 | 10 | 1 | GRILLE; TOP COVER |
| VAL10519 | 11 | 1 | VALVE; LOW PRESSURE ASSEMBLY |
| PNL28977 | 12 | 1 | COVER; ASSY, TOP |
| PNL28968 | 13 | 1 | PANEL; SUPPORT BOARD |
| PNL28969 | 14 | 2 | PANEL; ASSY, SIDE BOARD |
| PNL29783 | 15 | 1 | PANEL; BELOW SIDE BOARD ASSEMBLY |
| ACC00284 | 16 | 1 | ACCUMULATOR; |

| Condensing Unit | Air Handle / A-Coil | Piston Size | Optional TXV | SEER | If Preinstalled Piston Replace Required | |
|-----------------|---------------------|-----------------|------------------|------------------|---|-----|
| AC | M4AC3018B1000AA | M4CXC024BA1CAAA | C050 | MAYTXVACAC1818AA | 13 | YES |
| | | M4CXC025BB1CAAA | C050 | MAYTXVACAC1818AA | 13 | YES |
| | | M4AH3018B1000AA | C050 | MAYTXVACAC1818AA | 13 | YES |
| | M4AC3024B1000AA | M4CXC024BA1CAAA | C056 | MAYTXVACHP1830AA | 13 | NO |
| | | M4CXC025BB1CAAA | C056 | MAYTXVACHP1830AA | 13 | NO |
| | M4AC3024B1000AA | M4AH3024B1000AA | C056 | MAYTXVACHP1830AA | 13 | NO |
| | | M4CXC024BA1CAAA | C060 | MAYTXVACHP1830AA | 13 | YES |
| | M4AC3030B1000AA | M4CXC025BB1CAAA | C060 | MAYTXVACHP1830AA | 13 | YES |
| | | M4AH3030B1000AA | C063 | MAYTXVACHP1830AA | 13 | YES |
| | M4AC3036B1000AA | M4CXC035BA1CAAA | C069 | MAYTXVACHP3642AA | 13 | NO |
| | | M4CXC035BB1CAAA | C067 | MAYTXVACHP3642AA | 13 | NO |
| | | M4CXC035BC1CAAA | C067 | MAYTXVACHP3642AA | 13 | NO |
| | M4AC3036B1000AA | M4AH3036B1000AA | C071 | MAYTXVACHP3642AA | 13 | YES |
| | | M4CXC042BB1CAAA | C074 | MAYTXVACHP3642AA | 13 | NO |
| | | M4CXC048BC1CAAA | C074 | MAYTXVACHP3642AA | 13 | YES |
| | M4AC3042B1000AA | M4CXC060BD1CAAA | C074 | MAYTXVACHP3642AA | 13 | YES |
| | | M4AH3042B1000AA | C072 | MAYTXVACHP3642AA | 13 | YES |
| | | M4CXC042BB1CAAA | C078 | MAYTXVACHP4848AA | 13 | YES |
| | M4AC3048B1000AA | M4CXC048BC1CAAA | C078 | MAYTXVACHP4848AA | 13 | NO |
| | | M4CXC060BD1CAAA | C078 | MAYTXVACHP4848AA | 13 | NO |
| | | M4AH3048B1000AA | C078 | MAYTXVACHP4848AA | 13 | YES |
| | M4AC3060B1000AA | M4CXC049BC1CAAA | C088 | MAYTXVACHP6060AA | 13 | NO |
| | | M4CXC061BD1CAAA | C088 | MAYTXVACHP6060AA | 13 | NO |
| | M4AC3060B1000AA | M4AH3060B1000AA | C090 | MAYTXVACHP6060AA | 13 | YES |
| HP | M4HP3018A1000AA | M4AH3018B1000AA | C051 | MAYTXVACHP1830AA | 13 | NO |
| | M4HP3024A1000AA | M4AH3024B1000AA | C056 | MAYTXVACHP1830AA | 13 | NO |
| | M4HP3030A1000AA | M4AH3030B1000AA | C061 | MAYTXVACHP1830AA | 13 | NO |
| | M4HP3036A1000AA | M4AH3036B1000AA | C066 | MAYTXVACHP3642AA | 13 | NO |
| | M4HP3042A1000AA | M4AH3042B1000AA | C075 | MAYTXVACHP3642AA | 13 | NO |
| | M4HP3048A1000AA | M4AH3048B1000AA | C083 | MAYTXVACHP4848AA | 13 | NO |
| M4HP3060A1000AA | M4AH3060B1000AA | C096 | MAYTXVACHP6060AA | 13 | NO | |

*The optional TXV means the recommended model for field installation.

Parts List Number :M4AHUP2#M4AHUP2

Model Number :M4AC3036B1000NA

| Part No. | Reference No. | Quantity | Description |
|---------------------------|---------------|----------|---------------------------|
| 75010193_M4AHUP2_142245~P | * | | TXV KITS CHART PARTS LIST |

| Condensing Unit | Air Handle / A-Coil | Piston Size | Optional TXV | SEER | If Preinstalled Piston Replace Required | |
|-----------------|---------------------|-----------------|--------------|------------------|---|-----|
| AC | M4AC3018B1000AA | M4CXC024BA1CAAA | C050 | MAYTXVACAC1818AA | 13 | YES |
| | | M4CXC025BB1CAAA | C050 | MAYTXVACAC1818AA | 13 | YES |
| | | M4AH3018B1000AA | C050 | MAYTXVACAC1818AA | 13 | YES |
| | M4AC3024B1000AA | M4CXC024BA1CAAA | C056 | MAYTXVACHP1830AA | 13 | NO |
| | | M4CXC025BB1CAAA | C056 | MAYTXVACHP1830AA | 13 | NO |
| | M4AC3024B1000AA | M4AH3024B1000AA | C056 | MAYTXVACHP1830AA | 13 | NO |
| | | M4CXC024BA1CAAA | C060 | MAYTXVACHP1830AA | 13 | YES |
| | M4AC3030B1000AA | M4CXC025BB1CAAA | C060 | MAYTXVACHP1830AA | 13 | YES |
| | | M4AH3030B1000AA | C063 | MAYTXVACHP1830AA | 13 | YES |
| | M4AC3036B1000AA | M4CXC035BA1CAAA | C069 | MAYTXVACHP3642AA | 13 | NO |
| | | M4CXC035BB1CAAA | C067 | MAYTXVACHP3642AA | 13 | NO |
| | | M4CXC035BC1CAAA | C067 | MAYTXVACHP3642AA | 13 | NO |
| | M4AC3036B1000AA | M4AH3036B1000AA | C071 | MAYTXVACHP3642AA | 13 | YES |
| | | M4CXC042BB1CAAA | C074 | MAYTXVACHP3642AA | 13 | NO |
| | | M4CXC048BC1CAAA | C074 | MAYTXVACHP3642AA | 13 | YES |
| | M4AC3042B1000AA | M4CXC060BD1CAAA | C074 | MAYTXVACHP3642AA | 13 | YES |
| | | M4AH3042B1000AA | C072 | MAYTXVACHP3642AA | 13 | YES |
| | | M4CXC042BB1CAAA | C078 | MAYTXVACHP4848AA | 13 | YES |
| | M4AC3048B1000AA | M4CXC048BC1CAAA | C078 | MAYTXVACHP4848AA | 13 | NO |
| | | M4CXC060BD1CAAA | C078 | MAYTXVACHP4848AA | 13 | NO |
| | | M4AH3048B1000AA | C078 | MAYTXVACHP4848AA | 13 | YES |
| | M4AC3060B1000AA | M4CXC049BC1CAAA | C088 | MAYTXVACHP6060AA | 13 | NO |
| | | M4CXC061BD1CAAA | C088 | MAYTXVACHP6060AA | 13 | NO |
| | M4AC3060B1000AA | M4AH3060B1000AA | C090 | MAYTXVACHP6060AA | 13 | YES |
| HP | M4HP3018A1000AA | M4AH3018B1000AA | C051 | MAYTXVACHP1830AA | 13 | NO |
| | M4HP3024A1000AA | M4AH3024B1000AA | C056 | MAYTXVACHP1830AA | 13 | NO |
| | M4HP3030A1000AA | M4AH3030B1000AA | C061 | MAYTXVACHP1830AA | 13 | NO |
| | M4HP3036A1000AA | M4AH3036B1000AA | C066 | MAYTXVACHP3642AA | 13 | NO |
| | M4HP3042A1000AA | M4AH3042B1000AA | C075 | MAYTXVACHP3642AA | 13 | NO |
| | M4HP3048A1000AA | M4AH3048B1000AA | C083 | MAYTXVACHP4848AA | 13 | NO |
| | M4HP3060A1000AA | M4AH3060B1000AA | C096 | MAYTXVACHP6060AA | 13 | NO |

*The optional TXV means the recommended model for field installation.

Parts List Number :M4AHUP2#M4AHUP2

Model Number :M4AC3036B1000NA

| Part No. | Reference No. | Quantity | Description |
|-----------------|----------------------|-----------------|--------------------------|
| MAYTXVAC | * | 1 | NO DESCRIPTION AVAILABLE |

Parts List Number :M4AHUP2#M4AHUP2

Model Number :M4AC3036B1000NA

| Part No. | Reference No. | Quantity | Description |
|---------------------------|---------------|----------|-------------------------------|
| 75010192_M4AHUP2_142243~P | * | | ORIFICE KITS CHART PARTS LIST |

Parts List Number :M4AHUP2#M4AHUP2

Model Number :M4AC3036B1000NA

| Part No. | Reference No. | Quantity | Description |
|-----------------|----------------------|-----------------|--------------------------|
| MAYORIACHP | * | 1 | NO DESCRIPTION AVAILABLE |