

Part No.	Reference No.	Quantity	Description
75012809#M4ACUP5-S	*		ELECTRIC BOX ASSEMBLY
75012807#M4ACUP5-S	*		GENERAL ASSEMBLY
M4ACUP5_M4ACUP5_258144-P	*		M4ACUP5 PARTS LIST
75012824#M4ACUP5-S	*		MODEL NOMENCLATURE

NO GRAPHIC AVAILABLE

75013702

REV
A

**NO
GRAPHIC
AVAILABLE**

MODEL NOMENCLATURE

75012824

REV.
A

AMERISTAR 1.5, 2.0 & 2.5 TON ROTARY CONDENSING UNITS

Model Number Example

M 4 A C 3 0 1 8 A 1 0 0 0 N A
1 2 3 4 5 6 7 8 9 10 11 12 13 14 15

Digit 1 = Brand Name
M = Ameristar

Digit 2 = Refrigerant
4 = R410A

Digit 3-4 = Unit Type
AC = Air Conditioner

Digit 5 = Efficiency Tier
3 - 13 SEER
4 - 14 SEER

Digit 6,7,8 = Tonnage
018 = 1.5 ton
024 = 2.0 ton
030 = 2.5 ton

Digit 9 = Rapid Experiment 800 Units
R = Rotary

Digit 10 = Electric Power Supply Characteristics
1 = 200-230V/1PH/60Hz or 208-230V/1PH/60Hz

Digit 11,12,13 = Secondary Function
000 = No Secondary Function

Digit 14 = Region of Sale
N = North American Market

Digit 15 = Minor Design Sequence - Design Change
Alphabet Letter; "A" through "Z"

All orderable Service Parts are identified for this product.

Parts that are not identified, will not be available to order.

This is a typical illustration. The unit in the field may not appear exactly as shown.

Parts List Number :M4ACUP5#M4ACUP5

Model Number :M4AC3018R1000NA

Part No.	Reference No.	Quantity	Description
75012824_M4ACUP5_258147~P	*		MODEL NOMENCLATURE PARTS LIST

MODEL NOMENCLATURE

75012824

REV.
A

AMERISTAR 1.5, 2.0 & 2.5 TON ROTARY CONDENSING UNITS

Model Number Example

M 4 A C 3 0 1 8 A 1 0 0 0 N A
1 2 3 4 5 6 7 8 9 10 11 12 13 14 15

Digit 1 = Brand Name
M = Ameristar

Digit 2 = Refrigerant
4 = R410A

Digit 3-4 = Unit Type
AC = Air Conditioner

Digit 5 = Efficiency Tier
3 - 13 SEER
4 - 14 SEER

Digit 6,7,8 = Tonnage
018 = 1.5 ton
024 = 2.0 ton
030 = 2.5 ton

Digit 9 = Rapid Experiment 800 Units
R = Rotary

Digit 10 = Electric Power Supply Characteristics
1 = 200-230V/1PH/60Hz or 208-230V/1PH/60Hz

Digit 11,12,13 = Secondary Function
000 = No Secondary Function

Digit 14 = Region of Sale
N = North American Market

Digit 15 = Minor Design Sequence - Design Change
Alphabet Letter; "A" through "Z"

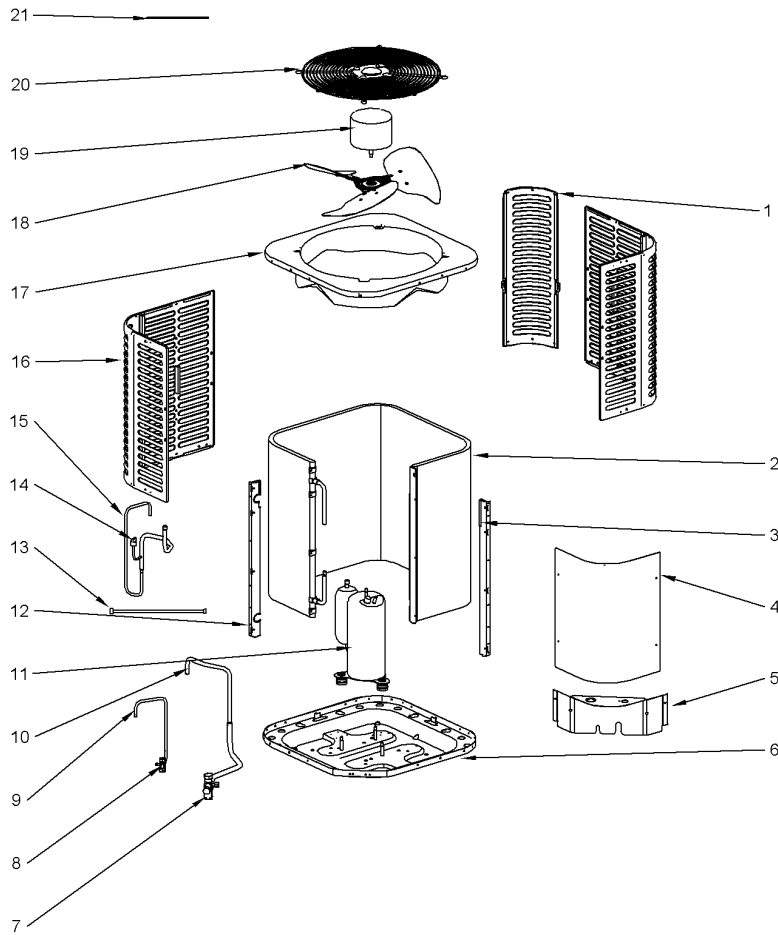
All orderable Service Parts are identified for this product.

Parts that are not identified, will not be available to order.

This is a typical illustration. The unit in the field may not appear exactly as shown.

AC ROTARY 13 & 14 SEER GENERAL ASSEMBLY 75012807
1.5 TON

REV.
A



All orderable Service Parts are identified for this product.

Parts that are not identified, will not be available to order.

This is a typical illustration. The unit in the field may not appear exactly as shown.

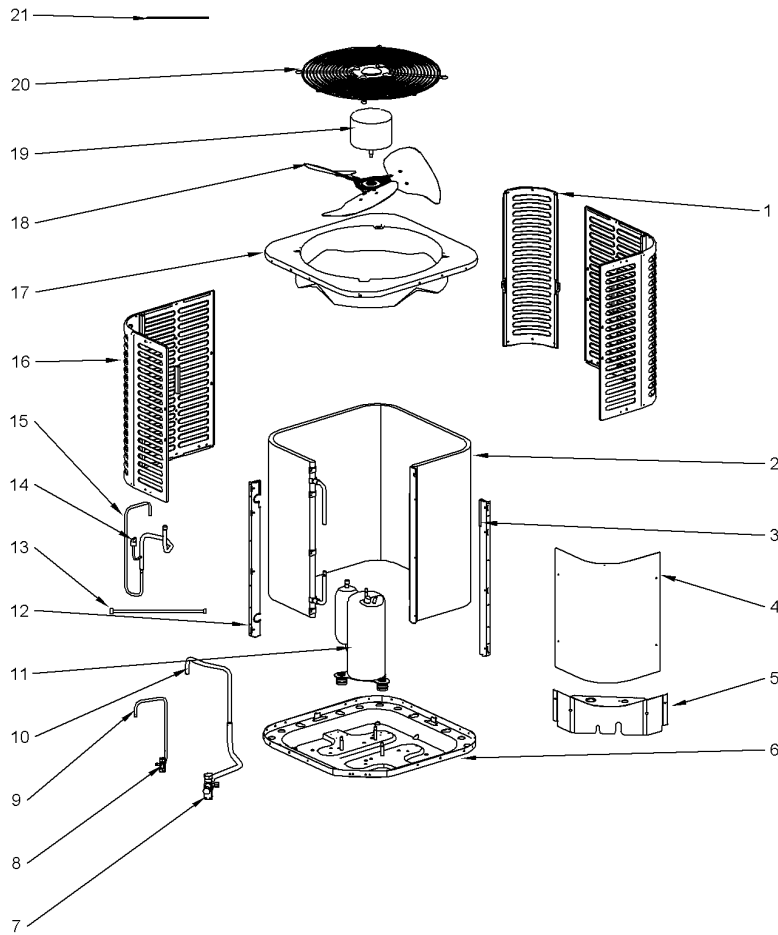
Parts List Number :M4ACUP5#M4ACUP5

Model Number :M4AC3018R1000NA

Part No.	Reference No.	Quantity	Description
75012807_M4ACUP5_258145~P	*		GENERAL ASSEMBLY PARTS LIST

AC ROTARY 13 & 14 SEER GENERAL ASSEMBLY 75012807
1.5 TON

REV.
A



All orderable Service Parts are identified for this product.

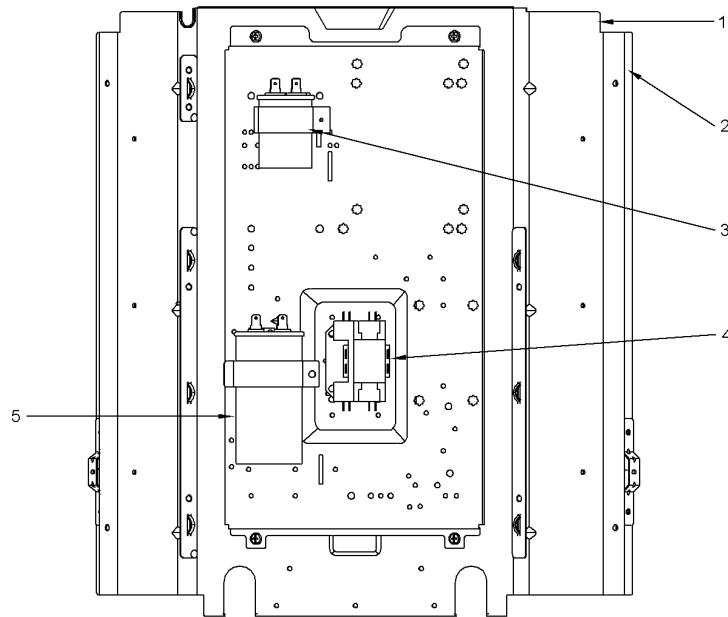
Parts that are not identified, will not be available to order.

This is a typical illustration. The unit in the field may not appear exactly as shown.

Part No.	Reference No.	Quantity	Description
TUB15026	*	1	TUBE; CONDENSER
PNL33875	1	1	PANEL; SUPPORT BOARD
COL28529	2	1	COIL; CONDENSER ASS'Y
COL28530	3	1	BAR; COIL SUPPORT, RIGHT
PNL33848	4	1	PANEL; UPWARD SIDE BOARD
PNL33870	5	1	PANEL; BELOW SIDE BOARD ASSEMBLY
BAS03148	6	1	BASE; ASSEMBLY
VAL12512	7	1	VALVE; SUCTION SERVICE VALVE
VAL12511	8	1	VALVE; LIQUID SERVICE VALVE
VAL19067	9	1	VALVE; HIGH PRESSURE ASSEMBLY
VAL19068	10	1	VALVE; LOW PRESSURE ASSEMBLY
COM13008	11	1	COMPRESSOR;
COL28531	12	1	BAR; COIL SUPPORT, LEFT
WIR08477	13	1	WIRE; COMPRESSOR CONNECT ASSEMBLY
SWT04049	14	1	SWITCH; HIGH PRESSURE
PIP02734	15	1	PIPE; COMPRESSOR DISCHARGE PIPE
PNL33846	16	2	PANEL; ASSY, SIDE BOARD
PNL33843	17	1	COVER; ASSY, TOP
FAN05660	18	1	FAN; FAN BLADE ASSEMBLY
MOT16143	19	1	MOTOR; FAN; PSC, 1/8HP, 208 - 230V, 60HZ, 6UF CAPACITOR
GRL02053	20	1	GRILLE; FAN
WIR09213	21	1	WIRE; GROUND, GREEN

AC ROTARY 13 & 14 SEER ELECTRICAL PARTS 75012809
1.5 & 2.0 TON

REV.
A



All orderable Service Parts are identified for this product.

Parts that are not identified, will not be available to order.

This is a typical illustration. The unit in the field may not appear exactly as shown.

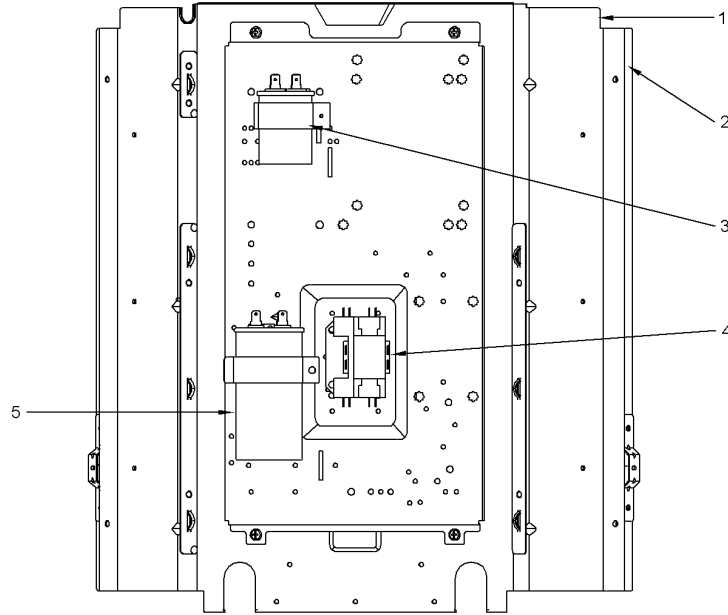
Parts List Number :M4ACUP5#M4ACUP5

Model Number :M4AC3018R1000NA

Part No.	Reference No.	Quantity	Description
75012809_M4ACUP5_258146~P	*		ELECTRIC BOX ASSEMBLY PARTS LIST

AC ROTARY 13 & 14 SEER ELECTRICAL PARTS 75012809
1.5 & 2.0 TON

REV.
A



All orderable Service Parts are identified for this product.

Parts that are not identified, will not be available to order.

This is a typical illustration. The unit in the field may not appear exactly as shown.

Part No.	Reference No.	Quantity	Description
BOX03691	1	1	BOX; ASSEMBLY
PNL35115	2	1	PANEL; UPWARD SIDE BOARD
CPT02520	3	1	CAPACITOR; FAN; 6UF/450V-P2(2000H)
CTR02987	4	1	CONTACTOR; AC, 24V
CPT02570	5	1	CAPACITOR; RUN; 40UF/450V-P2(2000H)