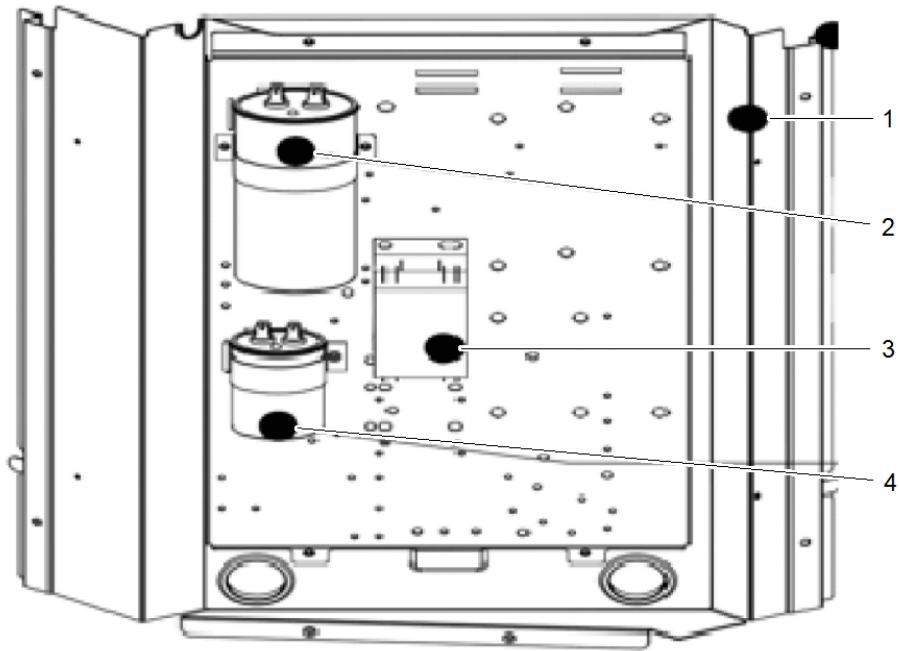


Parts List Number :0000122167

Model Number :M4AC3018C1000NA

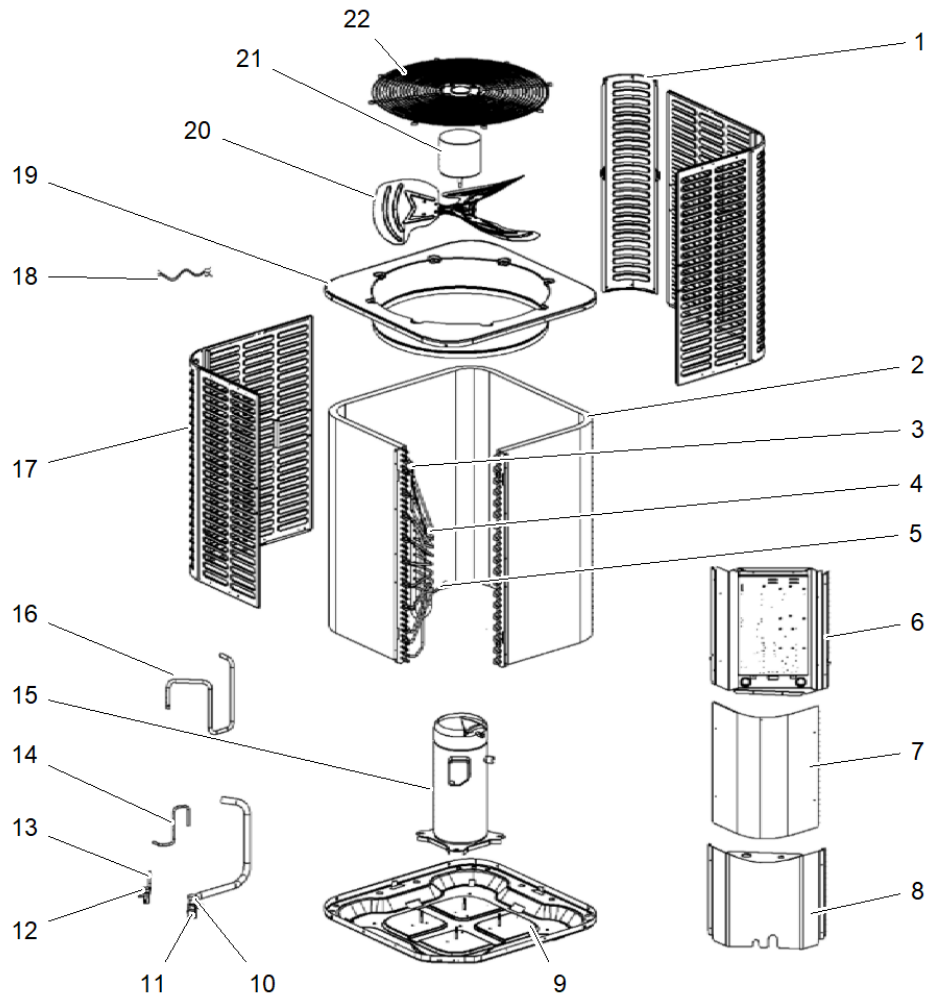
<b>Part No.</b>	<b>Reference No.</b>	<b>Quantity</b>	<b>Description</b>
0000122170~S	*		CONTROL PANEL ASSY PARTS
0000122169~S	*		GENERAL ASSY PARTS
0000122168~S	*		MODEL NUMBER DESCRIPTION

Part No.	Reference No.	Quantity	Description
0000019977~P	*		CONTROL PANEL ASSY PARTS



<b>Part No.</b>	<b>Reference No.</b>	<b>Quantity</b>	<b>Description</b>
PLT06282	1	1	PLATE; INSTALLATION PLATE OF ELECTRIC PARTS SUBASSEMBLY
CPT02568	2	1	CAPACITOR; RUN; 35UF/450V-P2(2000H)
CTR02987	3	1	CONTACTOR; AC, 24V
CPT02520	4	1	CAPACITOR; FAN; 6UF/450V-P2(2000H)

Part No.	Reference No.	Quantity	Description
0000019976~P	*		GENERAL ASSY PARTS



Part No.	Reference No.	Quantity	Description
PNL33841	1	1	PANEL; SUPPORT BOARD
COL30780	2	1	COIL; ASSEMBLY
COL30781	3	1	COIL; CONDENSER COIL
PIP03329	4	1	PIPE; CONDENSER OUTPUT PIPE ASSEMBLY
PIP03330	5	1	PIPE; CONDENSER INPUT PIPE ASSEMBLY
BOX03898	6	1	BOX; E-PART BOX ASSEMBLY
PNL33848	7	1	PANEL; UPWARD SIDE BOARD
PNL33870	8	1	PANEL; BELOW SIDE BOARD ASSEMBLY
PAN04006	9	1	PAN; BASE PAN
VAL18463	10	1	VALVE; SUCTION SERVICE VALVE ASSEMBLY
VAL12512	11	1	VALVE; SUCTION SERVICE VALVE
VAL12511	12	1	VALVE; LIQUID SERVICE VALVE
VAL12457	13	1	TUBE; LIQUID ASSEMBLY
COM13081	15	1	COMPRESSOR; FIXED SPEED SCROLL
PIP02878	16	1	LINE; DISCHARGE
PNL33838	17	2	PANEL; ASSY, SIDE BOARD
WIR08471	18	1	HARNESS; COMPRESSOR
PNL33844	19	1	COVER; ASSY, TOP
FAN05663	20	1	FAN; FAN BLADE ASSEMBLY
MOT16143	21	1	MOTOR; FAN; PSC, 1/8HP, 208 - 230V, 60HZ, 6UF CAPACITOR
GRL02055	22	1	GRILLE; FAN

Part No.	Reference No.	Quantity	Description
0000014977~P	*		MODEL NUMBER DESCRIPTION

MODEL NUMBER DESCRIPTION

75014136

REV  
B

*Example Model Number:*  
**M4AC3024C1000AA**  
1 - - - 5 - - - - 10 - - - - 15

**Digit 1 – Brand Name**  
M = Ameristar

**Digit 2 – Refrigerant Type**  
4 = R-410A

**Digit 3,4 – Product Family**  
AC = Condensing Unit

**Digit 5 – Nominal Efficiency Rating**  
3 = 13 Seer

**Digit 6,7,8 – Nominal Capacity**  
018 = 18000 Btu/h  
024 = 24000 Btu/h  
030 = 30000 Btu/h  
036 = 36000 Btu/h  
042 = 42000 Btu/h  
048 = 48000 Btu/h  
060 = 60000 Btu/h

**Digit 9 – Major Development Sequence**  
Alphabet Letter 'A' through 'Z'

**Digit 10 – Electric Power Supply Characteristics**  
1 = 200-230V/1PH/60HZ OR 208-230V/1PH/60HZ

**Digit 11,12,13 – Secondary Function**  
000 = No Secondary Function

**Digit 14,15 – Minor Design Sequence - Design Change**  
Alphabet Letter 'A' through 'Z'

