



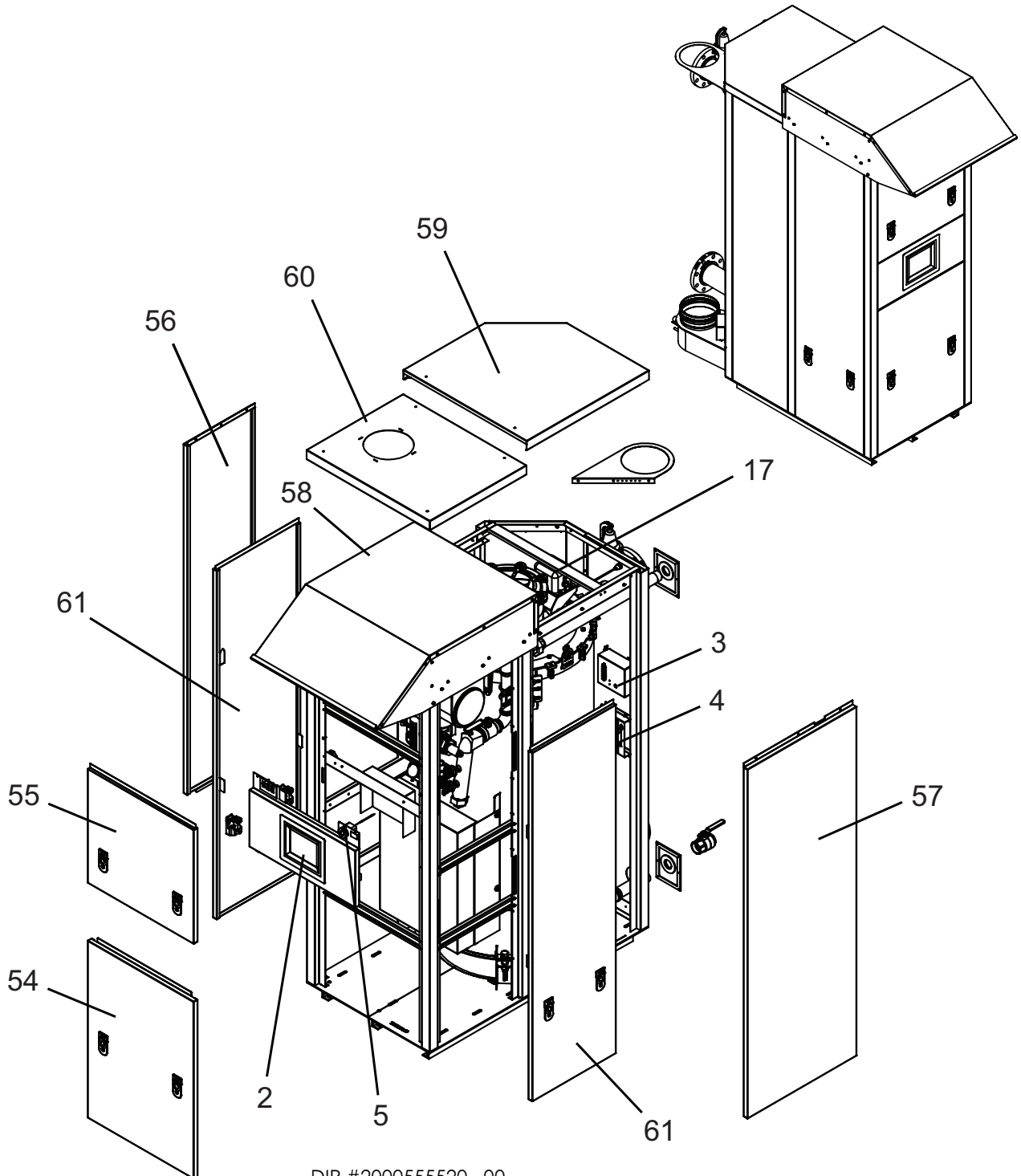
**Lochinvar**<sup>®</sup>  
HIGH EFFICIENCY BOILERS & WATER HEATERS

**PARTS & SERVICE DEPARTMENT**  
Nashville, Tennessee  
877-554-5544 • Fax: 615-882-2918  
parts\_team@lochinvar.com  
www.Lochinvar.com

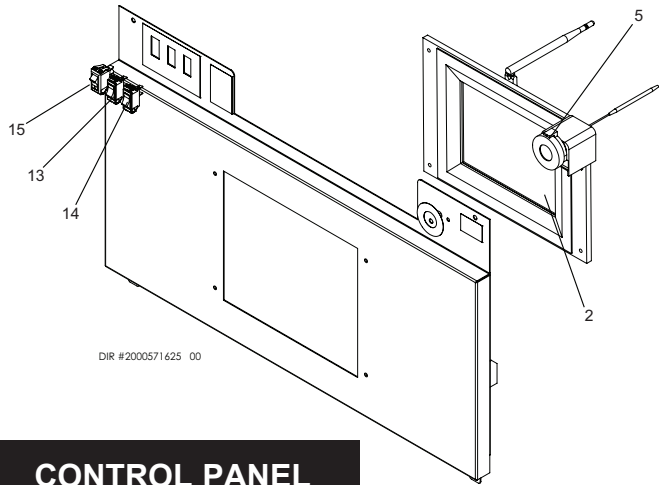
**Replacement Parts List**

**Outdoor Crest**<sup>®</sup>  
**Heating Boilers**

**OFN(L) 751 - 2001**  
**Series 100 - 101 & 110 - 111**

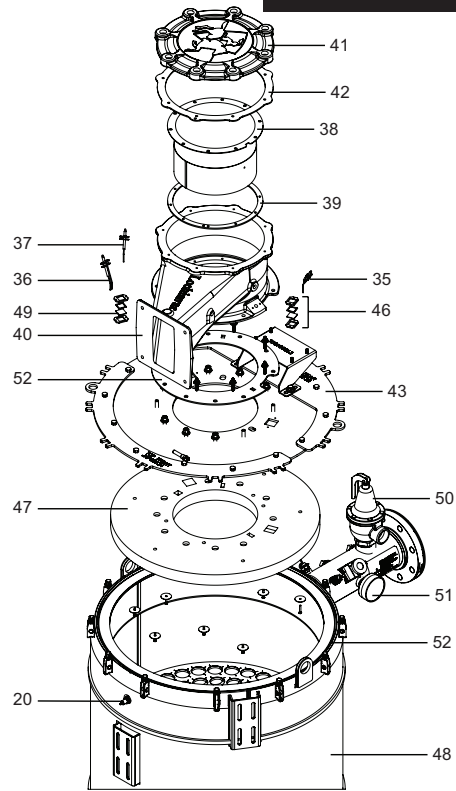


# DISPLAY PANEL



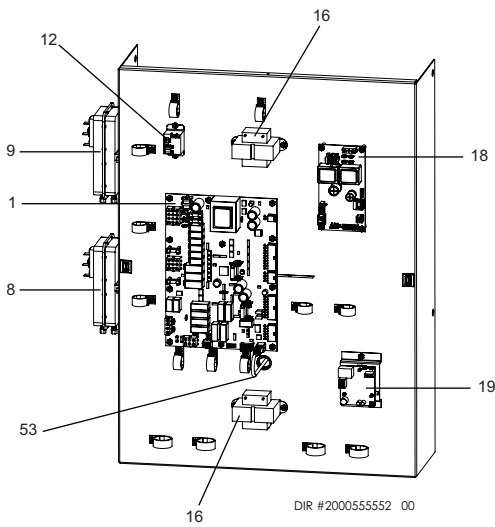
DIR #2000571625 00

# HEAT EXCHANGER

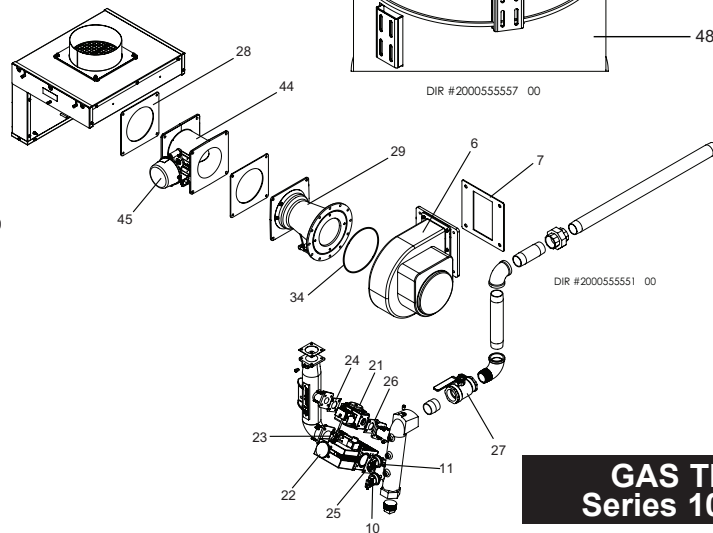


DIR #200055557 00

# CONTROL PANEL

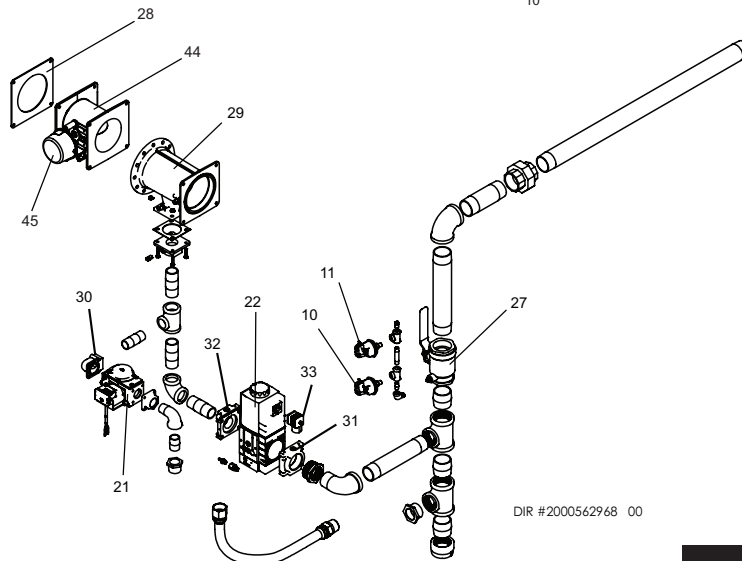


DIR #200055552 00



DIR #200055551 00

# GAS TRAIN - Series 100 & 101



DIR #2000562968 00

# GAS TRAIN - Series 110 & 111

ITEM NO.	PART NO.	DESCRIPTION	MODEL
<b>CONTROLS (CONTINUED)</b>			
1	100302184	INTEGRATED CONTROL BOARD	OF 751 - 1251
1	100302185	INTEGRATED CONTROL BOARD	OF 1501 - 2001
2	100311038	USER INTERFACE DISPLAY, LCD	ALL
-	100311232	GASKET, USER INTERFACE DISPLAY	ALL
3	<b>100208481*</b>	LOW VOLTAGE CONTROL BOARD	ALL
4	<b>100208476*</b>	LOW VOLTAGE CONTROL BOARD	ALL
-	<b>100208552*</b>	SENSOR, SYSTEM / INLET	ALL
-	<b>100208557*</b>	SENSOR, DUAL OUTLET	ALL
-	<b>100208558*</b>	SENSOR, PREMIX THERMOSTAT LIMIT	ALL
5	<b>100271315*</b>	HIGH LIMIT	ALL
-	<b>100233695*</b>	HIGH LIMIT THERMOSTAT BULB WELL, 3/8 NPT	ALL
6	100073294	FAN ASSEMBLY	OF 751 - 1251
6	100267460	FAN ASSEMBLY	OF 1501 - 2001
7	<b>100208089*</b>	GASKET, FAN	OF 751 - 1251
7	<b>100277796*</b>	GASKET, FAN	OF 1501 - 2001
8	<b>100277772*</b>	PRESSURE SWITCH - 4.1" WATER COLUMN	ALL
9	<b>100289704*</b>	PRESSURE SWITCH - 5.8" WATER COLUMN	OF 751 - 1251
9	<b>100289706*</b>	PRESSURE SWITCH - 2.5" WATER COLUMN	OF 1501 - 2001
10	<b>100208385*</b>	PRESSURE SWITCH - 3.0" WATER COLUMN	ALL
11	<b>100274744*</b>	PRESSURE SWITCH - 27.0" WATER COLUMN	ALL
-	100300586	RELAY, PILOT CONTROL, 10 AMP	ALL
12	<b>100208509*</b>	RELAY, 120VAC, 60HZ, 10.8 AMP	ALL
13	100277797	MOMENTARY SWITCH, RED - 20 AMP, 125 VOLT	ALL
14	100277798	MOMENTARY SWITCH, BLACK - 20 AMP, 125 VOLT	ALL
15	100271316	ON / OFF SWITCH, RED	ALL
16	100208230	TRANSFORMER, 24V, 40VA	ALL
17	100341773	SPARK GENERATOR, DANFOSS (BEGINNING SERIAL #2102)	ALL
17	100346633	SPARK GENERATOR, RETROFIT (PRIOR TO SERIAL #2102)	ALL
18	100275047	BACNET BOARD (BEGINNING SERIAL #4015)	ALL
19	100173747	LOW WATER CUTOFF, MANUAL RESET, CONTROL	ALL
20	100320791	LOW WATER CUTOFF	ALL
20	100277756	PROBE, LWCO	ALL
-	100277801	BOOT, LWCO	ALL
<b>GAS TRAIN ASSEMBLIES</b>			
21	100073358	GAS VALVE ASSEMBLY, NAT - SMALL	OF 751
21	100073359	GAS VALVE ASSEMBLY, NAT - SMALL	OF 1001
21	100073360	GAS VALVE ASSEMBLY, NAT - SMALL (SERIES 100)	OF 1251
21	100267412	GAS VALVE ASSEMBLY, NAT - SMALL (SERIES 100)	OF 1501
21	100267413	GAS VALVE ASSEMBLY, NAT - SMALL (SERIES 100)	OF 1751
21	100267414	GAS VALVE ASSEMBLY, NAT - SMALL (SERIES 100)	OF 2001
21	100310375	GAS VALVE ASSEMBLY, NAT - SMALL (SERIES 110)	OF 1251-2001
21	100073364	GAS VALVE ASSEMBLY, LP - SMALL	OF 751
21	100073365	GAS VALVE ASSEMBLY, LP - SMALL	OF 1001
21	100073366	GAS VALVE ASSEMBLY, LP - SMALL (SERIES 101)	OF 1251
21	100267415	GAS VALVE ASSEMBLY, LP - SMALL (SERIES 101)	OF 1501
21	100267416	GAS VALVE ASSEMBLY, LP - SMALL (SERIES 101)	OF 1751
21	100267417	GAS VALVE ASSEMBLY, LP - SMALL (SERIES 101)	OF 2001
21	100310375	GAS VALVE ASSEMBLY, LP - SMALL (SERIES 111)	OF 1251-2001
22	100073370	GAS VALVE ASSEMBLY, NAT - LARGE	OF 751
22	100073371	GAS VALVE ASSEMBLY, NAT - LARGE	OF 1001
22	100073372	GAS VALVE ASSEMBLY, NAT - LARGE (SERIES 100)	OF 1251
22	100267418	GAS VALVE ASSEMBLY, NAT - LARGE (SERIES 100)	OF 1501
22	100267419	GAS VALVE ASSEMBLY, NAT - LARGE (SERIES 100)	OF 1751
22	100310377	GAS VALVE ASSEMBLY, NAT - LARGE (SERIES 110)	OF 1251-1751
22	100267420	GAS VALVE ASSEMBLY, NAT - LARGE (SERIES 100)	OF 2001
22	100171973	GAS VALVE ASSEMBLY, NAT - LARGE (SERIES 110)	OF 2001
22	100073549	GAS VALVE ASSEMBLY, LP - LARGE	OF 751
22	100073550	GAS VALVE ASSEMBLY, LP - LARGE	OF 1001
22	100073551	GAS VALVE ASSEMBLY, LP - LARGE (SERIES 101)	OF 1251
22	100267421	GAS VALVE ASSEMBLY, LP - LARGE (SERIES 101)	OF 1501
22	100267422	GAS VALVE ASSEMBLY, LP - LARGE (SERIES 101)	OF 1751
22	100310377	GAS VALVE ASSEMBLY, LP - LARGE (SERIES 111)	OF 1251-1751
22	100267423	GAS VALVE ASSEMBLY, LP - LARGE (SERIES 101)	OF 2001
22	100171973	GAS VALVE ASSEMBLY, LP - LARGE (SERIES 111)	OF 2001
23	<b>100208105*</b>	GASKET, GAS VALVE / VENTURI (ALL SERIES)	ALL
24	<b>100289499*</b>	GASKET, GAS TRAIN (SERIES 100 & 101)	ALL
27	100294593	1-1/4" GAS SHUT-OFF VALVE W/ TAP (SERIES 100 & 101)	OF 751 - 1251

**PLEASE HAVE MODEL AND SERIAL NUMBER WHEN ORDERING PARTS**  
**\*ITEMS DENOTE SUGGESTED INVENTORY PARTS**

ITEM NO.	PART NO.	DESCRIPTION	MODEL
<b>GAS TRAIN ASSEMBLIES (CONTINUED)</b>			
27	100288549	1-1/2" GAS SHUT-OFF VALVE W/ TAP (SERIES 100 & 101)	OF 1501 - 2001
27	100288549	1-1/2" GAS SHUT-OFF VALVE W/ TAP (SERIES 110 & 111)	OF 1251-2001
28	<b>100208089*</b>	GASKET, VENTURI	ALL
29	100288548	VALVE, VENTURI	OF 751
29	100288481	VALVE, VENTURI	OF 1001 - 1251
29	100294592	VALVE, VENTURI	OF 1501 - 1751
29	100274223	VALVE, VENTURI	OF 2001
30	100287996	FLANGE, GAS VALVE, 3/4 NPT, 90 DEG (SERIES 110 & 111)	OF 1251-2001
31	100310379	FLANGE, GAS VALVE, 1-1/2 NPT, DUNGS (SERIES 110 & 111)	OF 1251-1751
32	100310376	SHUTTER, GAS VALVE, 1 NPT (SERIES 110 & 111)	OF 1251-1751
32	100274758	SHUTTER, GAS VALVE, 1-1/2 NPT (SERIES 110 & 111)	OF 2001
33	100310378	CONNECTOR, DUNGS, GAS VALVE (SERIES 110 & 111)	OF 1251-2001
34	100233698	O-RING (SERIES 100 & 101)	ALL
<b>PILOT AND BURNER ASSEMBLIES</b>			
35	<b>100073343*</b>	SENSOR, FLAME W/ GASKET	ALL
-	100233664	GASKET, FLAME SENSOR	ALL
36	<b>100073342*</b>	IGNITOR W/ GASKET	OF 751 - 1251
-	<b>100322258*</b>	IGNITOR GASKET	OF 751 - 1251
36	<b>100265150*</b>	IGNITOR W/ GASKET	OF 1501 - 2001
-	<b>100277932*</b>	IGNITOR GASKET	OF 1501 - 2001
37	<b>100279407*</b>	FLAME SENSOR, REAR, W/ GASKET & SCREWS	ALL
38	100072640	BURNER W/ GASKET	OF 751
38	100072641	BURNER W/ GASKET	OF 1001
38	100073280	BURNER W/ GASKET	OF 1251
38	100073281	BURNER W/ GASKET	OF 1501
38	100073282	BURNER W/ GASKET	OF 1751
38	100073283	BURNER W/ GASKET	OF 2001
39	<b>100277963*</b>	GASKET, BURNER	ALL
40	100073768	GAS/AIR MANIFOLD W/ GASKET	OF 751 - 1251
40	100073794	GAS/AIR MANIFOLD W/ GASKET	OF 1501 - 2001
41	100288523	COVER, MANIFOLD	ALL
42	<b>100277962*</b>	GASKET, MANIFOLD COVER	ALL
43	100075411	HEAT EXCHANGER DOOR ASSEMBLY	OF 751
43	100075413	HEAT EXCHANGER DOOR ASSEMBLY	OF 1001
43	100076515	HEAT EXCHANGER DOOR ASSEMBLY	OF 1251
43	100267481	HEAT EXCHANGER DOOR ASSEMBLY	OF 1501
43	100267482	HEAT EXCHANGER DOOR ASSEMBLY	OF 1751
43	100267483	HEAT EXCHANGER DOOR ASSEMBLY	OF 2001
44	100161834	AIR METERING VALVE	OF 751
44	100161835	AIR METERING VALVE	OF 1001
44	100161837	AIR METERING VALVE	OF 1251
44	100161836	AIR METERING VALVE	OF 1501 - 1751
44	100161838	AIR METERING VALVE	OF 2001
45	100318923	AIR METERING VALVE MOTOR	OF 751 - 2001
<b>MISCELLANEOUS</b>			
46	100311165	SIGHT GLASS KIT	ALL
47	100288672	FIBERBOARD, BURNER	OF 751
47	100288673	FIBERBOARD, BURNER	OF 1001
47	100288674	FIBERBOARD, BURNER	OF 1251
47	100288675	FIBERBOARD, BURNER	OF 1501
47	100288676	FIBERBOARD, BURNER	OF 1751
47	100288677	FIBERBOARD, BURNER	OF 2001
48	100288679	INSULATION, HEX WRAP	OF 751
48	100288680	INSULATION, HEX WRAP	OF 1001
48	100288681	INSULATION, HEX WRAP	OF 1251
48	100288682	INSULATION, HEX WRAP	OF 1501
48	100288683	INSULATION, HEX WRAP	OF 1751
48	100289400	INSULATION, HEX WRAP	OF 2001
49	100233667	GASKET, SIGHT GLASS	ALL
-	100153531	AIR INLET COVER	ALL
50	100208448	PRESSURE RELIEF VALVE, 1" X 1-1/4", 50 PSI	ALL
51	100376494	GAUGE, T&P, 0-75 PSI, 50-320F, 2.5" x 1/2", IP65	ALL
<b>PLEASE HAVE MODEL AND SERIAL NUMBER WHEN ORDERING PARTS</b>			
<b>*ITEMS DENOTE SUGGESTED INVENTORY PARTS</b>			

ITEM NO.	PART NO.	DESCRIPTION	MODEL
<b>MISCELLANEOUS (CONTINUED)</b>			
-	100208561*	SENSOR, FLUE TEMP	ALL
-	100277775	GAS CUT OFF VALVE 1-1/2"	ALL
-	100277718	CONDENSATE TRAP	ALL
52	100289492*	KIT, GASKET SET (SIGHT GLASS / AIR MANIFOLD / HEX PLATE)	OF 751
52	100289493*	KIT, GASKET SET (SIGHT GLASS / AIR MANIFOLD / HEX PLATE)	OF 1001
52	100289494*	KIT, GASKET SET (SIGHT GLASS / AIR MANIFOLD / HEX PLATE)	OF 1251
52	100289495*	KIT, GASKET SET (SIGHT GLASS / AIR MANIFOLD / HEX PLATE)	OF 1501
52	100289496*	KIT, GASKET SET (SIGHT GLASS / AIR MANIFOLD / HEX PLATE)	OF 1751
52	100289497*	KIT, GASKET SET (SIGHT GLASS / AIR MANIFOLD / HEX PLATE)	OF 2001
-	100289433*	AIR FILTER, 1" X 14" X 14"	OF 751 - 1251
-	100302182*	AIR FILTER, 14" X 20"	OF 1501 - 2001
53	100277806	USB CABLE	ALL
-	100277807*	GASKET, AIR INLET COVER	ALL
-	100294590	PLATE ASSEMBLY, INLET ADAPTER	ALL
-	100276810	CABLE, RIBBON	ALL
-	100208633	WIRE HARNESS, SPARK ELECTRODE	ALL
-	100208631	WIRE HARNESS, FLAME SENSOR ELECTRODE	ALL
-	100208808*	FUSE, 1.25A / 250V	ALL
-	100208231*	FUSE, 3.15A / 250V	ALL
-	100208232*	FUSE, 5A / 250V	ALL
-	100208834	OUTDOOR AIR SENSOR	ALL
-	100277791	CONDENSATE HOSE, BRAIDED, 3/8"	ALL
-	100277792	CONDENSATE HOSE, BRAIDED, 1"	ALL
-	100274793	REFERENCE HOSE, 1/8" (ORDER BY FOOT)	ALL
-	100208336	ALUMINUM TUBING, 1/4"	ALL
-	100302180	COMPRESSION LATCH	ALL
-	100274737	ANTENNA, USB ADAPTER, WIRELESS	ALL
-	100289696	CABLE, USB, 2.0, 12"	ALL
-	100289697	CABLE, USB, 2.0, 60"	ALL
-	100288513	PANEL MOUNTING CABLE	ALL
-	100301827	OUTDOOR KIT	ALL
-	100338737	OUTDOOR LABEL	ALL
<b>JACKET ASSEMBLIES</b>			
54	100302143	JACKET, BOTTOM DOOR	ALL
55	100302144	JACKET, TOP DOOR	ALL
56	100302146	JACKET, LEFT SIDE	OF 751 - 1251
57	100302147	JACKET, RIGHT SIDE	OF 751 - 1251
58	100301827	OUTDOOR KIT	OF 751 - 2001
59	100302173	JACKET, TOP REAR	OF 1501 - 2001
60	100302148	JACKET, TOP	OF 751 - 1251
60	100302174	JACKET, TOP FRONT	OF 1501 - 2001
61	100302175	JACKET, FRONT LEFT & RIGHT SIDE	OF 1501 - 2001
<b>ANNUAL PREVENTATIVE MAINTENANCE KITS</b>			
-	100320688*	KIT, PREVENTATIVE MAINTENANCE SERVICE	OF 751
-	100320389*	KIT, PREVENTATIVE MAINTENANCE SERVICE	OF 1001
-	100320690*	KIT, PREVENTATIVE MAINTENANCE SERVICE	OF 1251
-	100320691*	KIT, PREVENTATIVE MAINTENANCE SERVICE	OF 1501
-	100320692*	KIT, PREVENTATIVE MAINTENANCE SERVICE	OF 1751
-	100320693*	KIT, PREVENTATIVE MAINTENANCE SERVICE	OF 2001
<b>PLEASE HAVE MODEL AND SERIAL NUMBER WHEN ORDERING PARTS *ITEMS DENOTE SUGGESTED INVENTORY PARTS</b>			

